

Manual

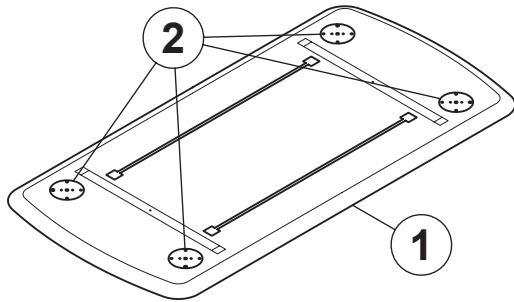
recommended tools:



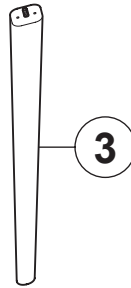
Nr. 13

Furniture: Table

Article: Tomrer

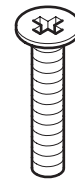


1x



4x

A



Ø 4,5/40

B



M 8

4x

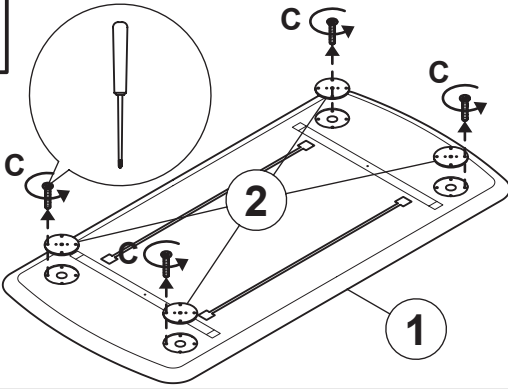
C



M 6/20

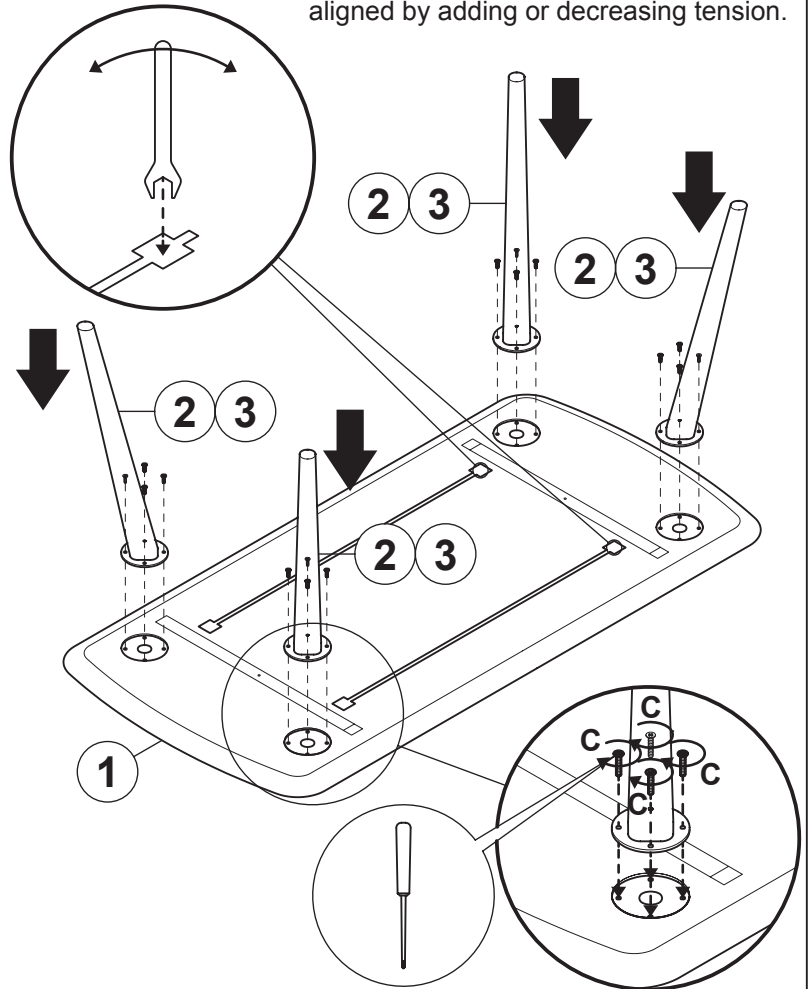
16x

1

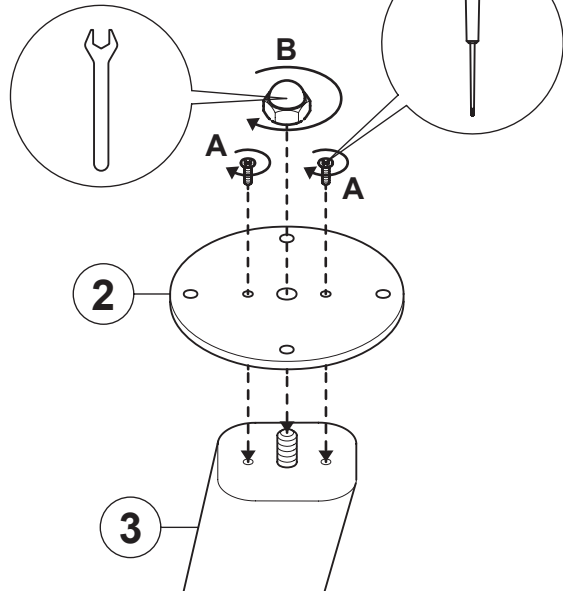


3

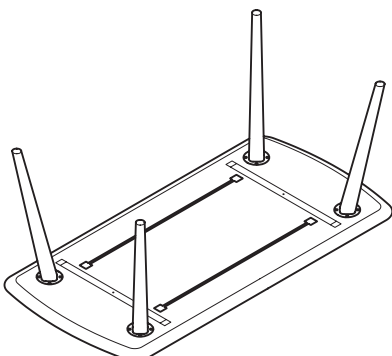
Tables with a length of more than 200 cm are equipped with a tension regulator / pull rod. The table top can be aligned by adding or decreasing tension.



2



4



5

