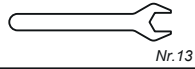


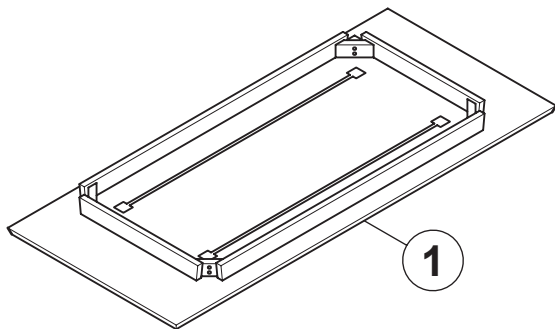
# Manual

recommended tools:

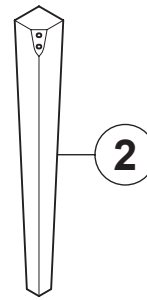


Furniture: Table

Article: Illum

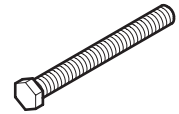


1x



4x

A



M 8/60

8x

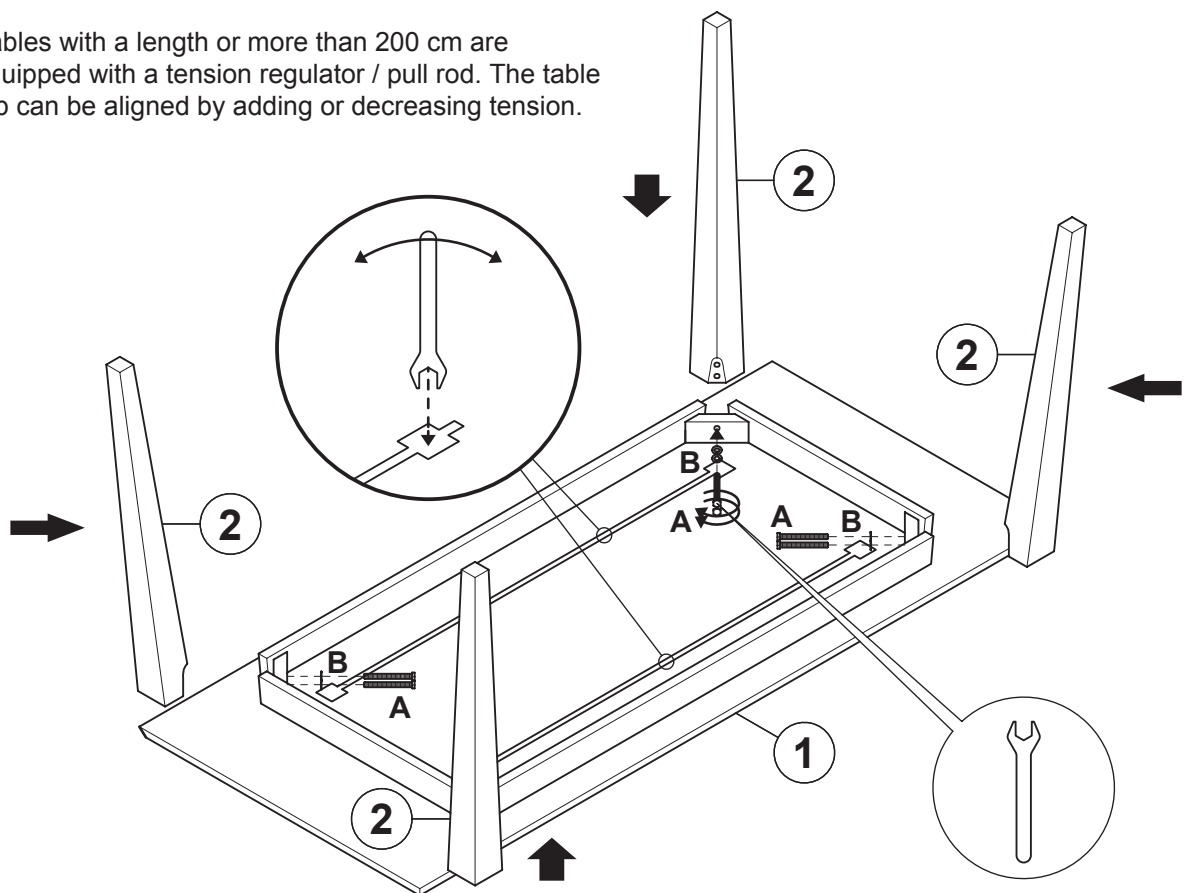
B



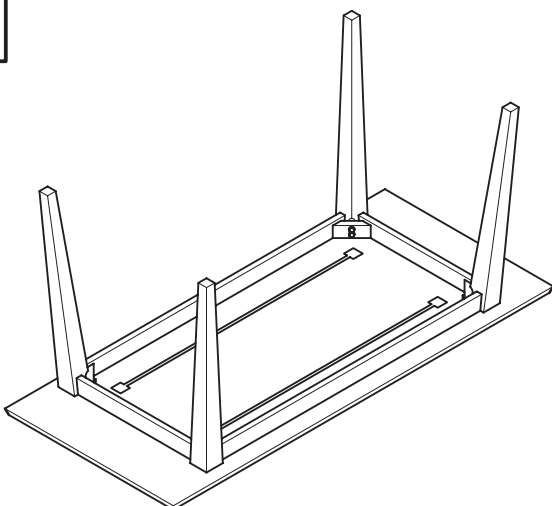
8x

1

Tables with a length or more than 200 cm are equipped with a tension regulator / pull rod. The table top can be aligned by adding or decreasing tension.



2



3

