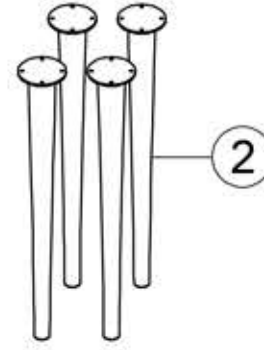
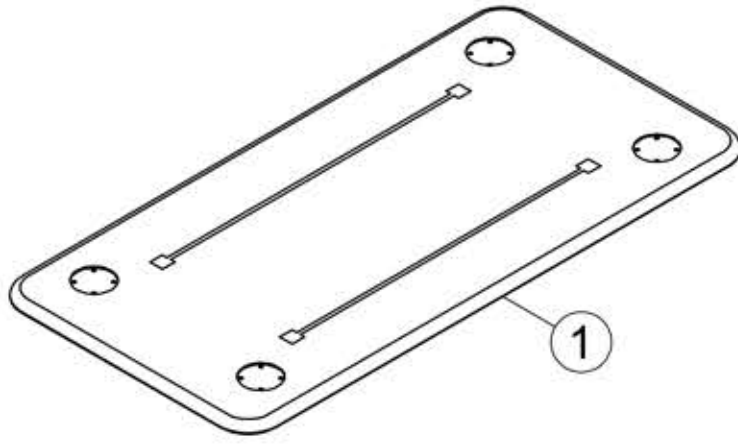


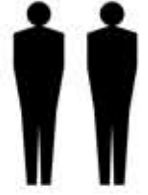
A



M 6/20 16X



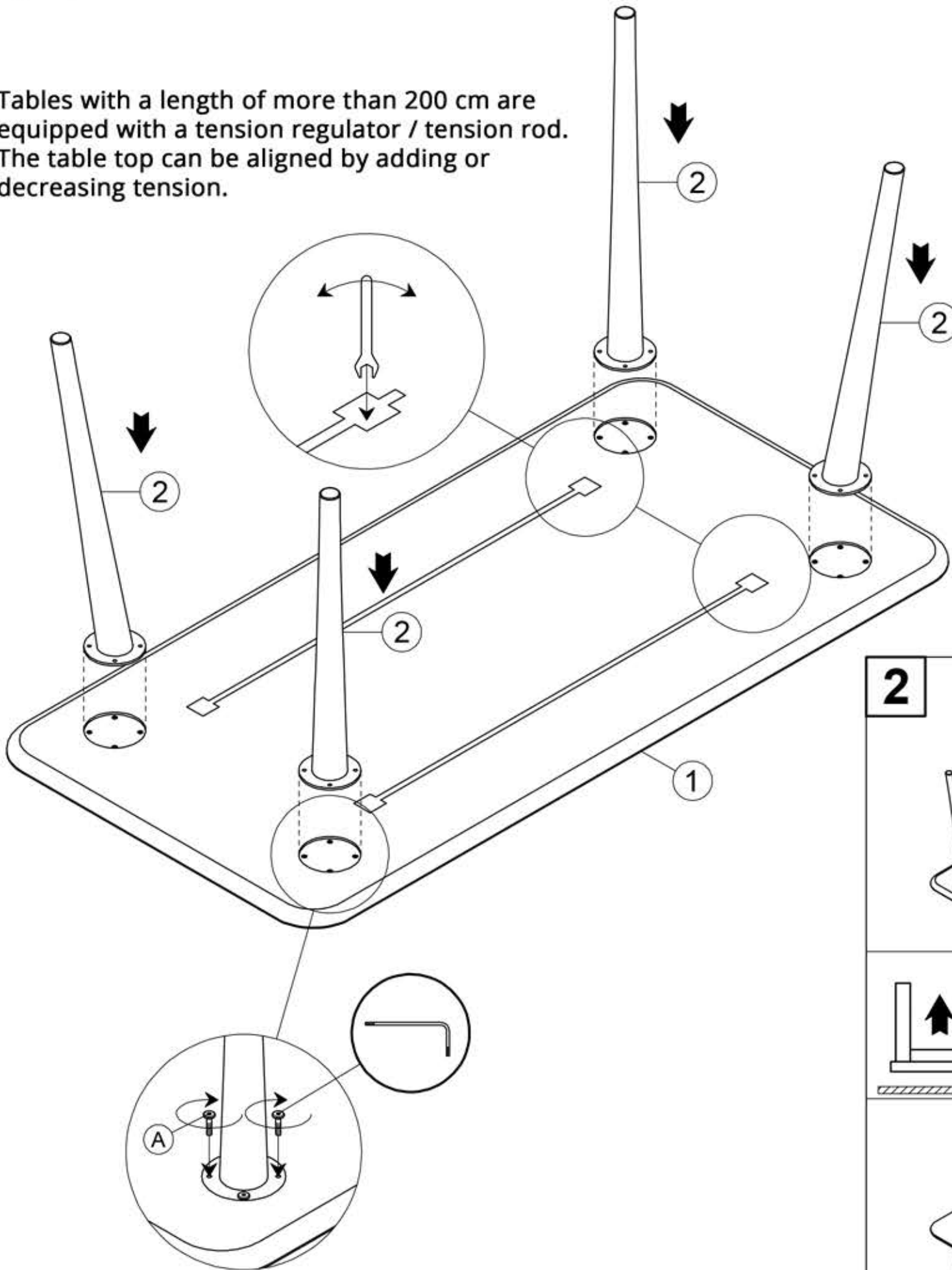
10 - 15 min.



1

1 2 A

Tables with a length of more than 200 cm are equipped with a tension regulator / tension rod. The table top can be aligned by adding or decreasing tension.



2

