



# Andres Industries AG

Not just a Waterproof Case but a System Solution

## GoShell™ 10 for Microsoft Surface Go



Designed for



Microsoft Surface

- ✓ Surface Go
- ✓ Surface Go with LTE Advanced

# GoShell™ 10

## The comprehensive system solution for Microsoft Surface Go

GoShell™ 10 for Microsoft Surface Go is the latest model in our case line-up. The waterproof and shock-resistant housing was specifically designed for industrial use and is therefore extremely robust. It is compatible with the well-established RAM mount system. Consequently, it can be mounted anywhere.

When equipped with the unique Car Cradle Connector it remains waterproof, while it is continuously charged in the Care Cradle. Even in this configuration it still can be removed within seconds. This is especially appreciated by delivery drivers, rescue workers and all other professionals for which time

is of the essence. Right from the start we designed GoShell™ as a system solution. It is therefore extremely expandable and convertible. There is no other housing system in the world offering such possibilities. However, if additional features are needed, we are at your service to develop tailor made solutions.



Waterproof membrane for loudspeaker

Protection by ultrathin scratch resistant glass-screen. Touch screen remains fully usable.

Windows for front and hello camera

Window for light sensor

Standard scope of delivery with Sealed Plugs for:

headphone jack

charging by USB-C connector

### Colours, logos and customised housings

The GoShell™ system is manufactured at our headquarters in Berlin. Therefore, we can change any detail according to your needs. We can produce cases in special colours starting from 200 units without extra charge. Logo prints for order volumes of 50 units and more are free of charge too. The interfaces on the back and at the sides of the case offer almost endless possibilities. Depending on the needs of your profession we can develop special brackets or connectors, so that your version of GoShell™ will fit your specific application perfectly.



off-the-shelf colours

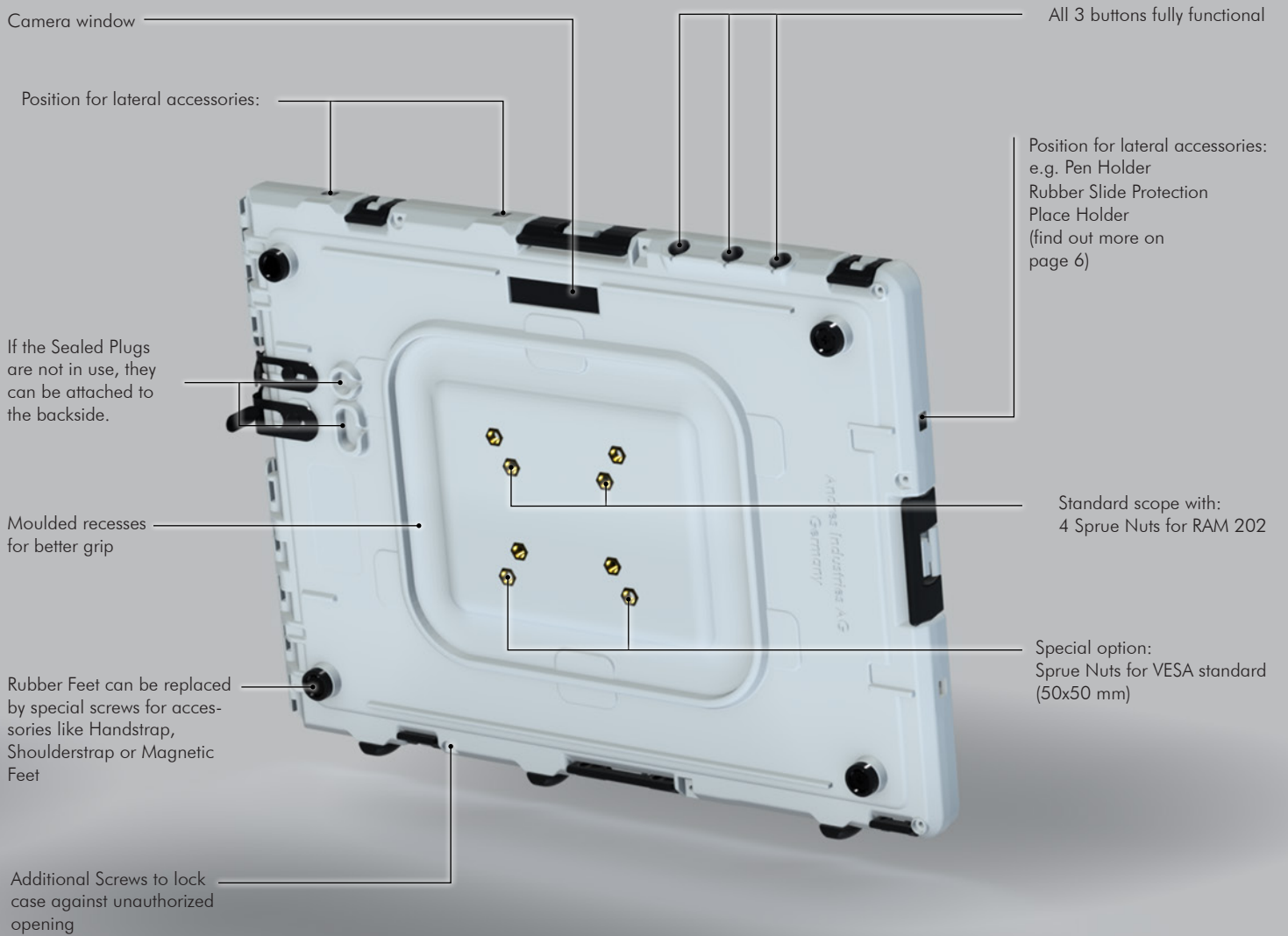
# Backside

## Many possibilities to interface

On the backside of GoShell™ the possibilities for extension and customization become apparent: Already at its launch you can benefit from a wide range of accessories. As these have been developed for other cases, they have proven themselves during

many years of usage in the field. All accessories are suitable for industrial and other professional use as well as for private applications. If the materials utilized are not suitable for your specific purpose, they can be replaced (e.g. we can incorporate perfor-

mance polymers which withstand high temperatures and/or aggressive solvents). For the interfaces on the backside of GoShell™ we can engineer accessories to fulfil a wide variety of customer specific needs, thus avoiding the costly development of specific housings.



## data sheet

<b>GoShell™</b>	designed for Microsoft Surface Go
<b>waterproof/ shock resistant</b>	IP67 (waterproof up to 1m) / MIL-STD 810H (military grade)
<b>weight</b>	348 g
<b>dimensions (mm)</b>	272×198×22,6
<b>black</b>	order #350101
<b>white</b>	order #350102
<b>blue</b>	order #350104
<b>yellow</b>	order #350105
<b>red</b>	order #350106
<b>olive green</b>	order #350103
<b>standard scope of delivery</b>	blind plugs, lateral feet, feet & screws, cleaning cloth, pen holders, manual, USB 3.1 C to A charging cable

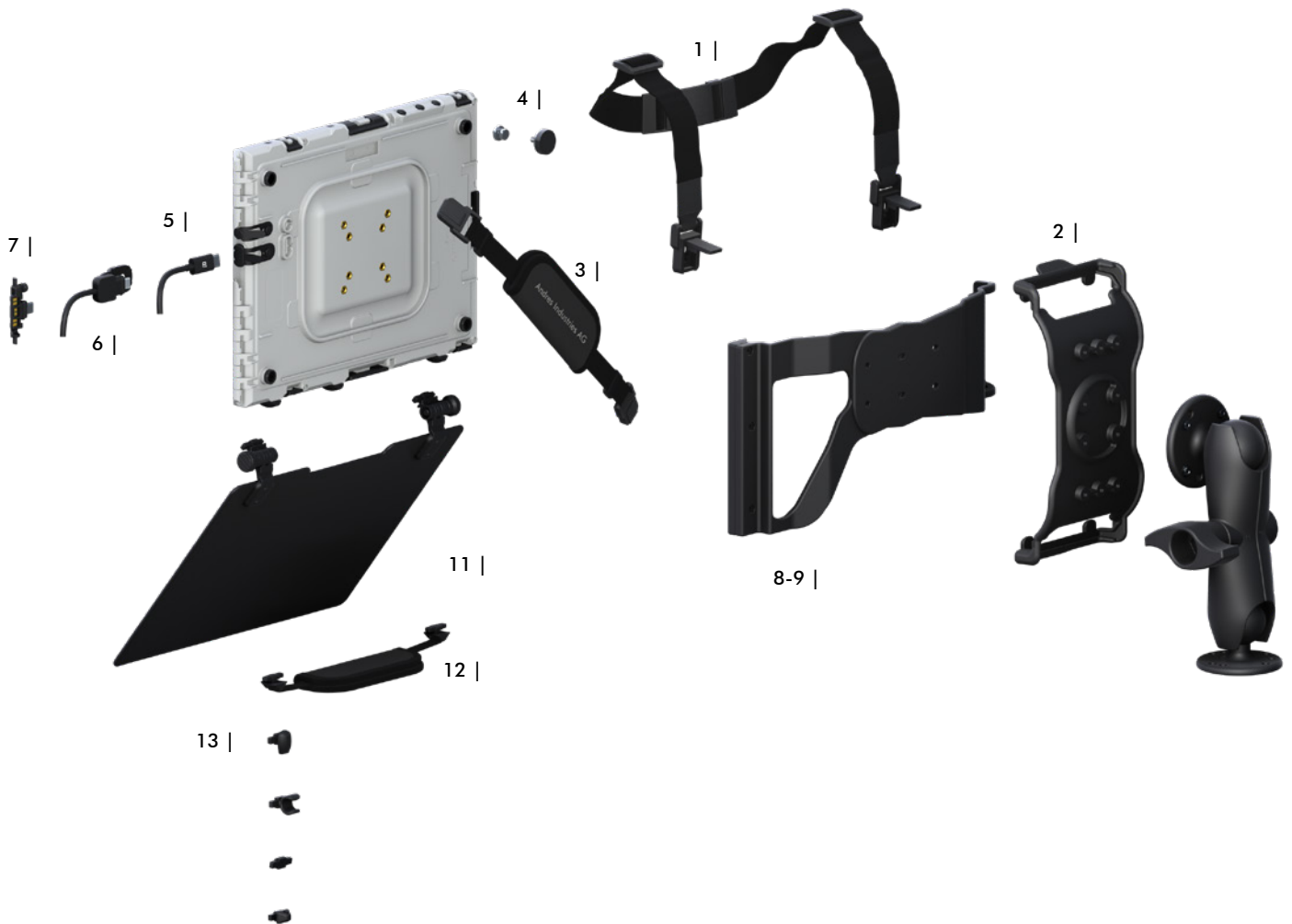
© 2020 Microsoft. Microsoft, the Microsoft logo, Microsoft Surface, Surface, and the Microsoft Surface logo are trademarks of the Microsoft group of companies. All other trademarks are the property of their respective owners.

## Shell Concept

GoShell™ cases are waterproof and shock resistant. There is no other system solution for Microsoft Surface Go which offers such expandability. The standard scope of delivery of

GoShell™ satisfies the needs of private users. Professionals tend to adapt their GoShell™ with suitable accessories. These are available for almost every possible application. If you

are facing extraordinary tasks, we can develop and produce custom-made solutions with special materials and/or tailored features for you.



## Accessories for Backside

### 1 | Shoulderstrap

On the backside of GoShell™ an easily removable Shoulderstrap can be attached in various positions. If necessary, 2 Shoulderstraps can be combined. GoShell™ can thus be worn like a hawker's tray. **No. 291015**

### 2 | Quicksnapper

If you want GoShell™ to be securely mounted while being easily removable, the Quicksnapper is our reliable solution. The Quicksnapper can be screwed directly to a table or a wall. Alternatively, it can be fixed to a RAM-Mount (see pages 6). **No. 295011**

### 3 | Handstrap

This length-adjustable strap with its 2 attachment points can be connected to each of the 4 Sprue Nuts. It can thus be used either alone or in combination with the Shoulderstrap. You can remove it quickly and easily in the same way as the Shoulderstrap. **No. 293007**

### 4 | Magnetic Feet (Set of 4)

We have developed Magnetic Feet to widen the scope of applications for GoShell™. After removing the standard Rubber Feet, the Magnetic Feet can be mounted on the back. They are strong enough to securely attach GoShell™ to ferromagnetic surfaces. Unlike commercially available magnets, this accessory is protected with a foil against water penetration and damage to the magnet's surface. It also prevents GoShell™ from slipping on the metal surface. **No. 293009**



# Charging Options

## 5 | Standard Connector

A USB-C standard charging cable is part of the standard scope of delivery. With such a cable it is possible to synchronize and charge the Surface Go in the GoShell™.

**No. 350117** (colours may vary black or white)



5 |

6 |



## 6 | Waterproof Connector GoShell™

If the GoShell™ is required to remain waterproof during charging, this special connector is used. While one end is connected waterproof to the case the other end is a standard USB plug. No special tools are needed. This solution is often used by sailors because they only need to adjust the connector once per day. As the standard USB-plug is not waterproof, it must be placed in a protected environment.

**No. 350130** (available from March 2020)

## 7 | GoShell™ Car Cradle Connector

After removing the waterproof plugs covering the openings of USB port and headphone jack, the Car Cradle Connector can be attached (no tools required). With this connector, the case can be charged while remaining completely waterproof. This opens many applications for Surface Go in industry, transport and other sectors. While the connector is attached, Surface Go can be charged in the Car Cradle or the GoRack. With the Car Cradle Connector in place synchronizing by USB and using the headphone jack is no longer possible.

**No. 350126** (available from mid-2020)



IP67

5V

USB

## 8 | GoShell™ Car Cradle

The Car Cradle is especially useful for drivers who need to plug and unplug their device frequently during the day. If GoShell is equipped with the Car Cradle Connector [7] it can be automatically charged in the Car Cradle. With this solution the case does not have to be opened and consequently always stays waterproof. Like the Quicksnapper, the Car Cradle can either be screwed directly to walls/tables or it can be mounted with a RAM-202 or many other RAM-Mounts (see page 6). RAM-Mounts are not included in the standard scope of delivery.

with 1m cable length: **No. 350120** (available mid-2020)

with 1.8m cable length: **No. 350122** (available mid-2020)

with 3m cable length: **No. 350124** (available mid-2020)



IP67

5V

USB

## 9 | GoShell™ Car Cradle incl. Connector

Same as item 8 but including Car Cradle Connector

with 1m cable length: **No. 350121** (available mid-2020)

with 1.8m cable length: **No. 350123** (available mid-2020)

with 3m cable length: **No. 350125** (available mid-2020)

## 10 | GoRack-10

19" Charging rack for 10 GoShell™ units

With the Car Cradle Connector attached to each GoShell™ up to 10 devices can be charged simultaneously in a 19"-rack. It is suitable for all standard server racks. Up to 2 racks can be installed on 1 floor due to the low installation depth of only 250 mm. Therefore, large lockers can accommodate up to a total of 100 charging bays. If desired, individual racks can be delivered as pull-out drawers. This facilitates inserting and removing. The GoRack has an integrated power supply unit that allows to charge every Surface Go with up to 2A.

**No. 350129** (available mid 2020)



## Lateral Accessories

With the lateral accessories, GoShell™ can be accessorized in a total of 7 positions. A Pen Holder, a Rubber Slip Protector or a Blind Plug can be attached to each of these posi-

tions. When purchasing GoShell™ 2 Pen Holders, 3 Rubber Slip Protectors and 7 Blind Plugs are already included in the standard scope of delivery. No tools are required for

the installation. Special plugs can also be developed on request which fit these 7 positions.

### 11 | Sunshade

Another lateral accessory is the Sunshade. Closed it serves as display protection. As it can be adjusted to any angle, it also serves as sunshade and as table stand. It can also be locked in place by turning two rotating knobs. No. 350116



### 12 | Side Handstrap

The new length-adjustable Side Handstrap allows even more ergonomic use of GoShell™. It can be combined with other lateral accessories.

No. 290070

### 13 | Set of Lateral Accessories

The set of Lateral Accessories includes the following: 3 Rubber Feet, 2 Pen Holders, 1 Blind Plug, 1 Spring Hook Eyelet and 2 Handstrap Buckles.

No. 350114



Pen Holder

## The RAM-Mount-Principle

### Mount everything to anything

With the modular RAM-Mount-System you can attach everything on anything. By combining different units, you can create the perfect mounting solution for your needs. Below pictures only show a few examples. In general, RAM-Mount consists of the following components which can be combined freely. RAM-Mounts are available in different sizes. For GoShell™

**Mounting Adapter:**  
e.g. Quicksnapper

**Upper Base:**  
e.g. RAM-202, can be directly screwed onto the GoShell™

**Mid Base:**  
e.g. RAM-201.  
available in various lengths

**Lower Base:**  
e.g. RAM-202.  
There are many different units e.g. to connect with pipes.

**Suction foot unit:**  
e.g. RAM-224-3 in combination with RAM-202



we recommend units with C-Ball but in particularly harsh environments (e.g. if strong vibrations is present) D-Ball mounts might be necessary. We are happy to support you in finding the best solution for your application.



## No-Drill Vehicle Mounts

### Vehicle Mounts not requiring drilling

The units portrayed below are perfectly suitable to mount GoShell™ in a vehicle without drilling. This is done by using attachment points that are already available in the vehicle (e.g. the fixture of the passenger seat). There are plenty of possibilities to mount these units in vehicles.



tripod vehicle-mount  
**RAM-316-3-202**  
629–807 mm  
No. 498805



robust vehicle-mount:  
**RAM-316-HD-18-202**  
629–807 mm  
No. 8900787



simple vehicle-mount:  
**RAM-316-2**  
457 mm  
No: 498808

**RAM-316-HD-202**  
476–654 mm  
No. 404745

**RAM-316-1-24-202**  
610 mm  
No: 498806



# Overview of C-Ball-RAM-Units

Connection possibilities on GoShell™ backside



RAM-201-D  
long connection  
piece  
No. 303305



RAM-201  
medium connection piece  
No. 303405



RAM-201-B  
short connection  
piece  
No. 303205



RAM-KNOB5L  
To lock units  
against theft.  
No. 303406

## various RAM-Mount-Bases



RAM-231-1  
25,4–31,8mm  
pipe diameter  
No. 404514



RAM-108B  
25,4–53,3mm  
pipe diameter  
No. 404805



RAM-235  
19,0–31,8mm  
pipe diameter  
No. 405200



RAM-231  
12,7–25,4mm  
pipe diameter  
No. 404513



RAM-271-12  
31,8–47,6mm  
pipe diameter  
No. 303242



RAM-271-2  
50,8–63,5mm  
pipe diameter  
No. 303385



RAM-202  
No. 303304



RAM-238  
No. 404904



RAM-224-3  
Triple suction cup base  
with RAM 202  
No. 404511



RAM-118B  
102–152mm  
pipe diameter  
No. 303127



RAM-224  
Suction cup base  
with RAM-238  
No. 303173



RAM-2461  
Vesa Platte  
No. 303398



RAM-247  
25–63,5mm  
pipe diameter  
No. 480052

Your Retailer:



Andres Industries AG  
CEO: Dr. Björn Andres

Tel.: +49 (0) 30 45 80 39 00  
Fax: +49 (0) 30 45 80 39 03  
E-Mail: [info@andres-industries.de](mailto:info@andres-industries.de)  
[www.andres-industries.de](http://www.andres-industries.de)

The protected trademarks  
are used exclusively for the  
description of functions and  
procedures.

© Andres Industries AG 2019

Follow us on:

