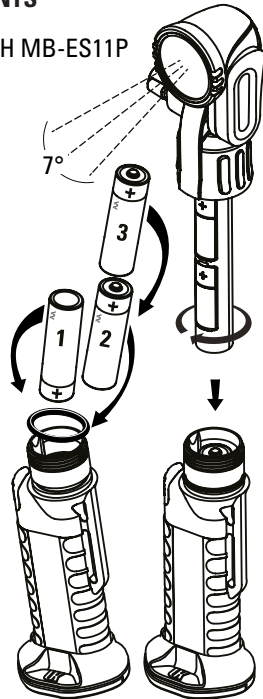


COMPONENTS



LH MB-ES11P



TECHNICAL NAME

UK 3AA eLED LH MB-ES11P

CERTIFICATION (ATEX)

SEV 18 ATEX 0177 X
II 1G Ex ia IIC T4 Ga
II 1D Ex ia IIIC T₂₀₀ 135°C Da



Intrinsically safe: Zone 0, 1, 2, 20, 21, 22

Batteries: (3) 1.5 V Alkaline AA / LR6 / Mignon cells - DURACELL OEM (duralock) LR6/AA, DURACELL INDUSTRIAL LR6/AA, DURACELL PLUS POWER LR6/AA, Energizer INDUSTRIAL LR6/AA, Energizer ULTIMATE LITHIUM L91, RAYOVAC AA (4006), VARTA LONGLIFE LR6/AA (4106), VARTA HIGH ENERGY LR6/AA (4906), VARTA LONGLIFE Power LR6/AA (4906)

Permissible temp range: -20°C to +40°C except for use with Energizer INDUSTRIAL (-20°C - +30°C)

TECHNICAL DATA

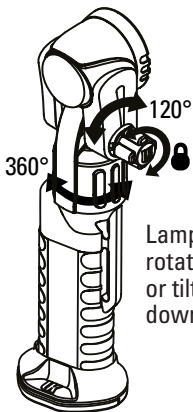
Model: 3AA eLED LIGHTHOUSE

PERFORMANCE DATA

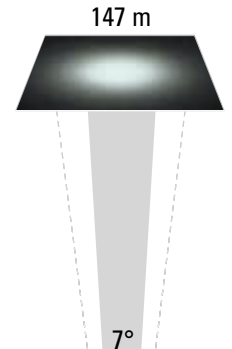
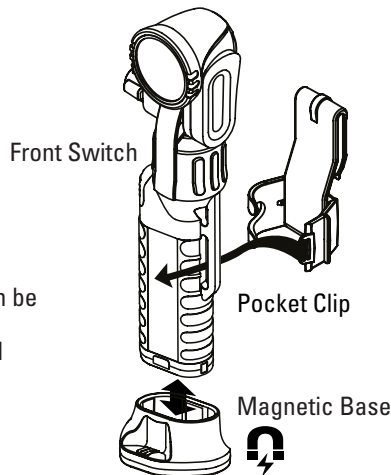
Light Source: eLED
Brightness: 228 lumens
Beam Distance: 147 m
Weight: 185 g (incl. batteries)
Waterproof: 1 m

Color Temperature: 5000K-5700K
Beam Angle: 7°
Run Time: 8,4 hrs
Dimensions: 18,75 x 5,80 x 5,05 cm
Enclosure Protection: IP67

Materials: ABS/Polycarbonat, TPE Rubber, Stainless Steel
Origin: Made in USA



Lamp head can be rotated 360° or tilted up and down 120°



LIGHTS / ART.-NO.
UK 3AA LIGHTHOUSE models:

510403F safety yellow, incl. batteries, single pack
 510405 safety yellow, no batteries, bulk

ACCESSORIES

14819 Helmet clip universal for 2AA / 3AA / 4AA lights

