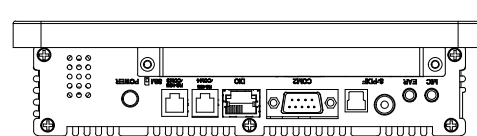
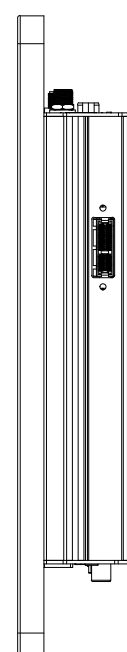
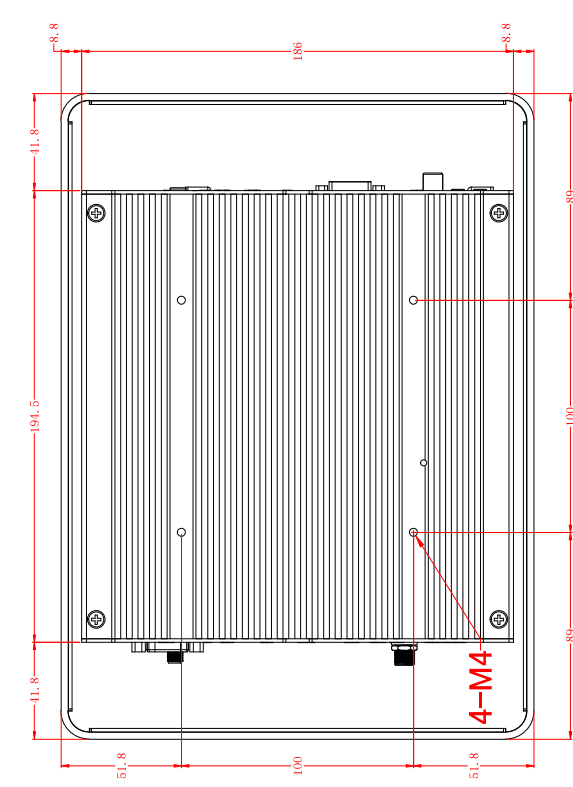
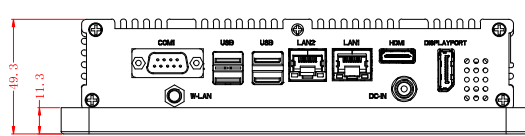
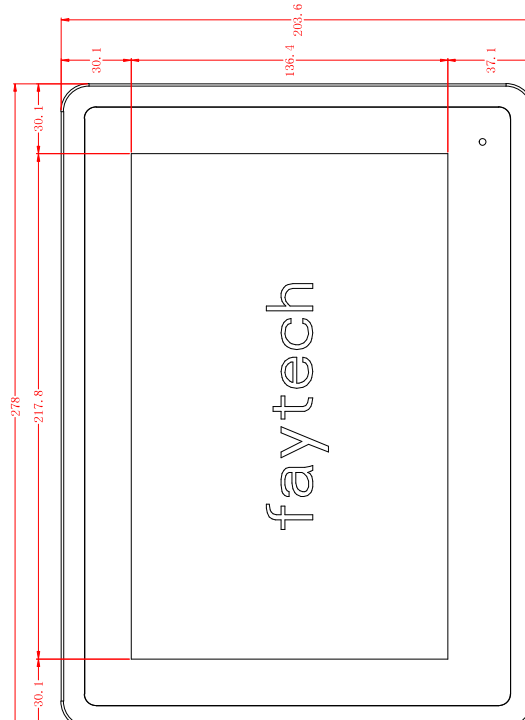
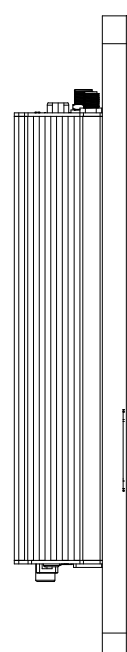




1	2	3	4	5	6	7	8
A	B	C	D	E	F		
No.		Rev.		Revision Record		Date	
-							



Tolerance: $\pm 1MM$

General Tolerance	ISO 2768-1c	faytech 深圳市飞帆泰科技有限公司 SHENZHEN FEIFANTAI TECHNOLOGY CO., LTD	
UNIT	mm	Description 10.1 PC	
Scale	1:1	Designed	jiangfan
REV.	A0	Checked	Date
	Approved	Date	Date
		Date	Date