

15.6" Capacitive Touch PC i5-7300u

FT156I5CAPOB



- Intel® Core™ i5-7300U CPU
 - 8GB RAM memory, 128GB Industrial SSD
 - Supports Windows 10 & Linux (32Bit, 64Bit)
 - Anti-glare surface treatment (chemical etching)
 - 10-Finger-Multi Touch Capacitive Touch Panel
 - 1.1mm cover glass with 7H surface hardness
 - Optically bonded Touch Panel to LCD Panel
 - Patented IP65 front with silicon seal
 - Integrated W-LAN
 - 2 year guarantee (24/7 usage)
- *Optional: i3-7100U / i7-7600U Core CPU*



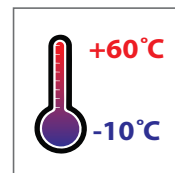
faytech's Capacitive PC series stands out among competition with its fanless silent operation, IP65 front panel design, high reliability and fine craftwork.

This device is made for 24/7 operation and is the perfect choice for industrial and business applications. It has flat edge to edge glass with IP65 water- and dust proof front panels and a sturdy aluminum case with stable VESA 100 fixation bolts.

The PC is powered by the high-end Kaby Lake U industrial mainboard. It has an Intel® Core™ i5-7300U processor with 2.60 GHz, 8GB RAM, a 128GB SSD and Intel®'s HD graphics Chipset.

These faytech PCs are the perfect choice for a wide variety of applications including POS systems, control panels in industrial fields, in kiosk systems, office/residence automation, digital signage and in areas like shopping malls, classrooms, hotels and many more.

| Legend / Notes | |
|----------------------------|------|
| Applicable to version 1 | (v1) |
| Applicable to version 2 | (v2) |
| Applicable to version 3 | (v3) |
| Applicable to all Versions | None |



| | | | | | | | |
|----------------------------------|-----------------------|----------------------|---------|---|-----------------------|----------------------|---------|
| Product name | | | | 15.6" Capacitive Touch PC i5-7300U | | | |
| Model number / EAN number | | | | FT156I5CAPOB / 6920734011568 | | | |
| Global Article Code | European Article Code | Release date (DIM/Y) | Version | Global Article Code | European Article Code | Release date (DIM/Y) | Version |
| 3030502965 | 1010501658 | 03/12/2019 | v1 | | | | |
| 3030504414 | 1010501895 | 29/04/2020 | v2 | | | | |
| 3030504502 | 1010501943 | 18/01/2021 | v3 | | | | |

| | |
|------------------------|--|
| IP Rating | |
| IP65 Front / IP40 Back | |

| | |
|---|-------------------|
| LCD Panel | |
| Screen diagonal (Inch/cm) | 15.6/39.6 |
| Display active screen size (cm) | 34.42×19.36 |
| Aspect ratio | 16:9 |
| Physical resolution | 1920×1080 |
| External Maximum showable resolution - HDMI, DP | 1920×1200 |
| Colours displayed | 262K |
| Brightness (cd/m ²) | 250 |
| Contrast | 800:1 |
| Typical reaction time Tr / Tf (ms) | 15/15 |
| Visual Angle horizontal / vertical (°) | 170/170 |
| Backlight / Backlight Lifetime (hours) | LED / min. 15,000 |

| | |
|---|--------------------------------------|
| Operation / Mechanical | |
| Operating Temperature (°C) | -10 ~ +60 |
| Humidity Range (RH) | 10% - 90% |
| Net weight (kg) | 4.40 |
| Gross weight (kg) | 6.30 (incl. cartonage) |
| Housing material | Rubber frame, Aluminum IPC back case |
| Housing (mm) L × W × H | 389.3 × 246.8 × 59.3 |
| Cut-out for clamp supports (mm) L × H | 371.0 × 218.0 (v2) (v3) |
| Max. wall thickness for clamp supports (mm) | 5.0 (v2) (v3) |
| Amount of clamps required | 4 (v2) (v3) |
| Mounting | VESA 100 |

| | | |
|---|-----------------------------------|-----------------------|
| Internal Connectors (occupied) | | |
| 1x SO-DIMM, max. 16 GB, DDR4 1866/2133 non-ECC, Single channel memory | | |
| 3x RS232/RS485 COM connectors switchable in BIOS | | |
| 2x LCD Backlight control/LCD panel voltage box | | |
| 1x 5V/12V SATA power connector | 1x 12V DC power connector (2-pin) | |
| 1x 4-pin SATA power connector | 1x S/PDIF output pin header | |
| 1x 8-bit Digital I/O interface | 1x Line-out / Mic-in header | |
| 1x Front Panel box header | 1x Serial ATA 6Gb/s | |
| 1x MIPI CSI connector | 1x LVDS box header | 2x USB 3.0 box header |

| | |
|-------------------------|---|
| PC System | |
| CPU | Intel® Core™ i5-7300U Processor Kaby Lake |
| Graphic GPU | Intel® HD Graphics |
| Audio | Realtek ALC3236 Audio CODEC |
| Memory | 8GB DDR4 non-ECC (max. 16GB) |
| Storage (switchable) | faytech Industrial 128GB SSD |
| Network | 2x Realtek PCIe GB LAN 8111G (1000Mbps) M.2 E-key Wi-Fi module |
| Driver Support | Win10; Linux; 32Bit/64Bit |
| Preinstalled OS | Linux Ubuntu |
| Docking Station Concept | Exchangeable from LCD Panel front kit (mounted using screws) |

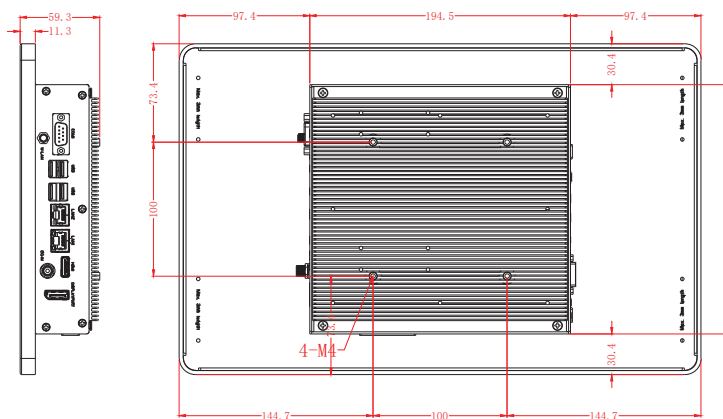
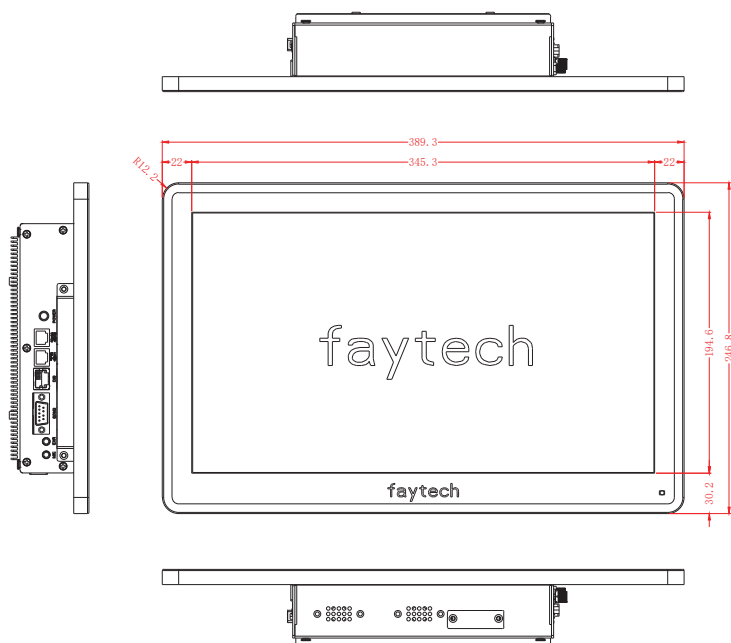
| | |
|-----------------------|--|
| Touch Panel | |
| Touch Technology | Projected Capacitive 10-Point Multitouch |
| Touch Connector | USB |
| Touch Life (Contacts) | Unlimited |
| Surface Hardness | 7H |
| Surface Treatment | Anti-glare (chemical etching) |
| Glass Strengthening | Chemically Strengthened |

| | |
|--------------------------|--|
| Power | |
| Power Indicator | Green LED |
| Power Supply | 100-240V ACDC active switching; 12V DC-Out |
| Working Power (V) | 12 |
| Power Consumption (W) | 34 |
| Stand-By Consumption (W) | <1 |

| | |
|--|---------------------|
| External Connectors | |
| 1x 12V DC-In (screwable) | |
| 1x W-LAN antenna connector (RP-SMA male) | |
| 4x USB 3.0 | 1x DP |
| 1x HDMI | 1x MIC-In & EAR-Out |
| 1x 8-PIN DIO as RJ45 (v1) (v2) | |
| 1x 10-PIN DIO as RJ50 (v3) | |
| 2x COM port Full-PIN - RS232/485; 5V/12V | |
| 2x COM port 3-PIN - RX, TX, GND; RS232/485; 5V/12V | |
| 2x 10/100/1000Mbit RJ45 Ports | |
| 1x S/PDIF-Out (1x Cinch, 1x Torx module) (v1) (v2) | |
| 1x 2.5" module slot, changeable SSD included | |

| | |
|---|--|
| Expansion Slots | |
| 1x mSATA full size (occupied by SSD) | |
| 1x M.2 E-Key Slot (occupied by Wifi card) | |
| 1x SATA connector | |
| 1x External PCIe x1 Straddle connector | |

| | |
|----------------------------------|--|
| Included in the Delivery | |
| Power Supply (see Power section) | |
| W-LAN antenna (RP-SMA female) | |
| Short Installation Manual | |
| Standard Stand | |



Tolerance: ± 1mm

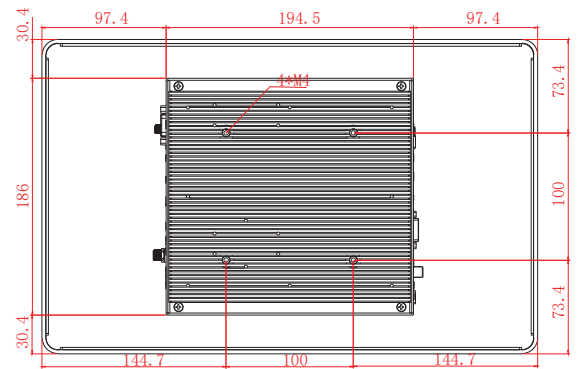
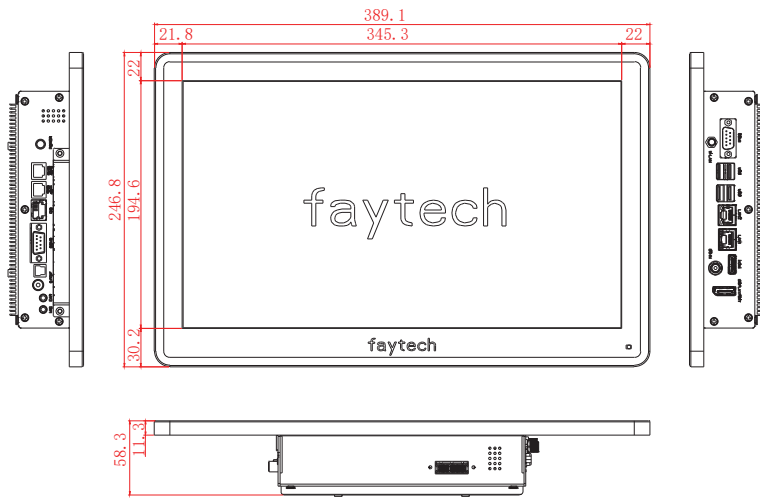
Errata and technical modifications reserved

Update Notes:

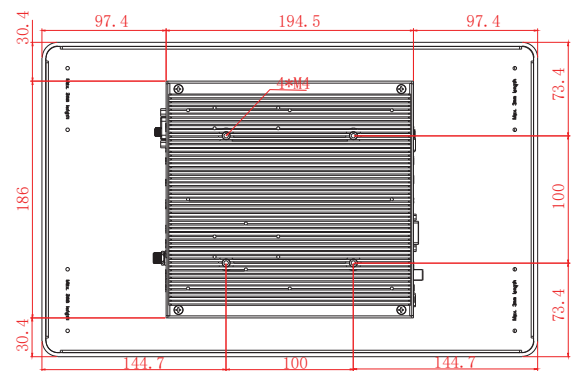
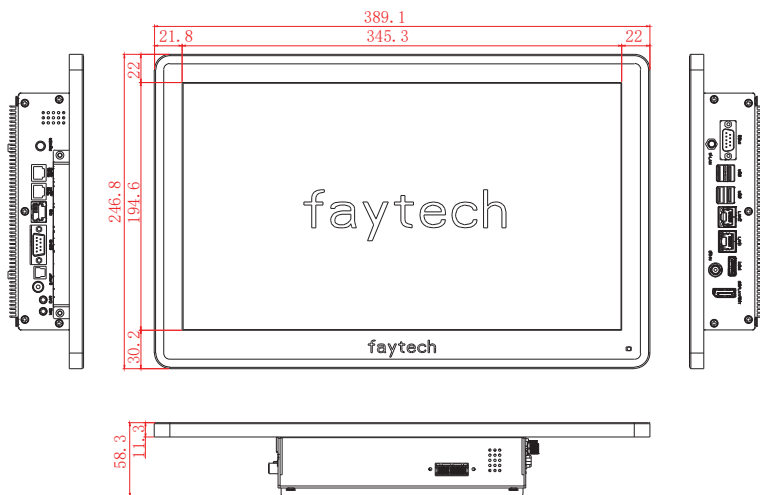
Version:

Changes:

v1 - First version



v2 - Added screwholes for the the clamp support mounting option



v3 - Update of internal wiring and components
Removed the S/PDIF-Out (1x Cinch, 1x Torx module)
Switched the 8-PIN DIO as RJ45 to 10-PIN DIO as RJ50

Corporate Headquarters

faytech AG
Bischhäuser Aue 10
37213 Witzenhausen
Germany

support@faytech.com
contact@faytech.com
www.faytech.com

China: +86 755 8958 0612
Germany: +49 5542 30374 10
USA: +1 646 843 0877
India: +91 11 49707436
Japan: +070 4127 5167