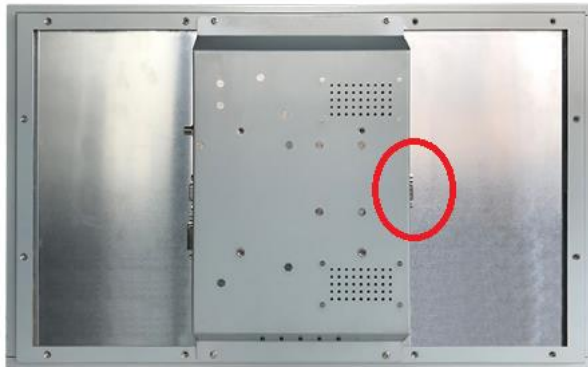


## DDI/CI Protocol communication over RS232 (faytech devices)

Device: 21.5" Capacitive Open Frame Touch Monitor (FT215HDKTMCAPHBOB)

Use this RS232 port for the communication:



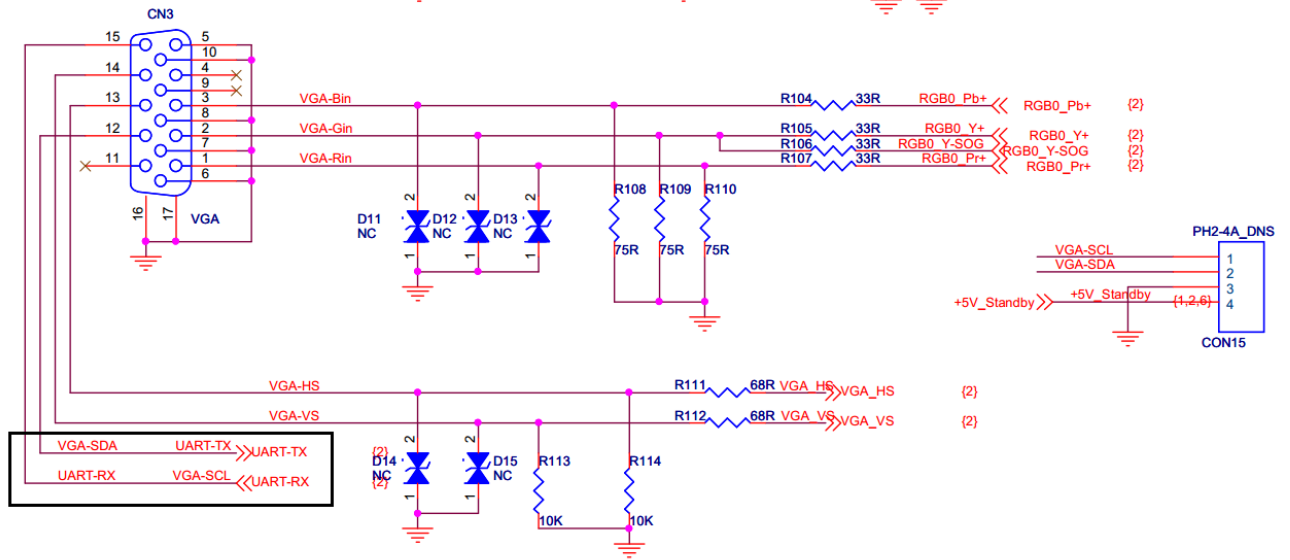
### **RS232 communication:**

Baud rate	38400
Data bits	8
Stop bits	1

### **Commands (Hex):**

0x69B100	Brightness sensor ON/OFF
0x697600	Power OFF the monitor
0x69FF00	Power ON the monitor
0x69C200	Volume +
0x69C300	Volume -
0x69B2xx	Set value Volume: set "xx" to [00-0A], [0%-100%] factor 10%
0x69D400	Contrast +
0x69D500	Contrast -
0x69A4xx	Set value Contrast: set "xx" to [00-0A], [0%-100%] factor 10%
0x697100	Brightness +
0x697200	Brightness -
0x69A3xx	Set value Brightness: set "xx" to [00-0A], [0%-100%] factor 10%
0x697700	Set display source : VGA
0x697900	Set display source : DVI
0x697800	Set display source : HDMI
0x69A200	Auto adjust the VGA Channel
0x699200	Get the contrast value
0x699300	Get the brightness value
0x699400	Get the Volume value
0x699500	Get the Temperature value
0x69B400	Get the display source information

**Schematics:**



When the RS232 is connected for OSD control, it will not be possible to get information about the EDID from the VGA interface.