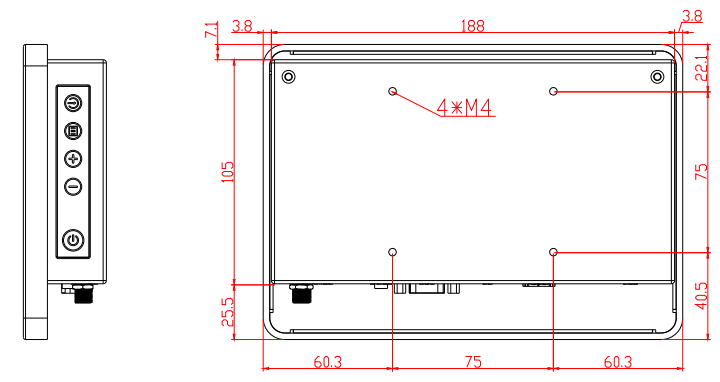
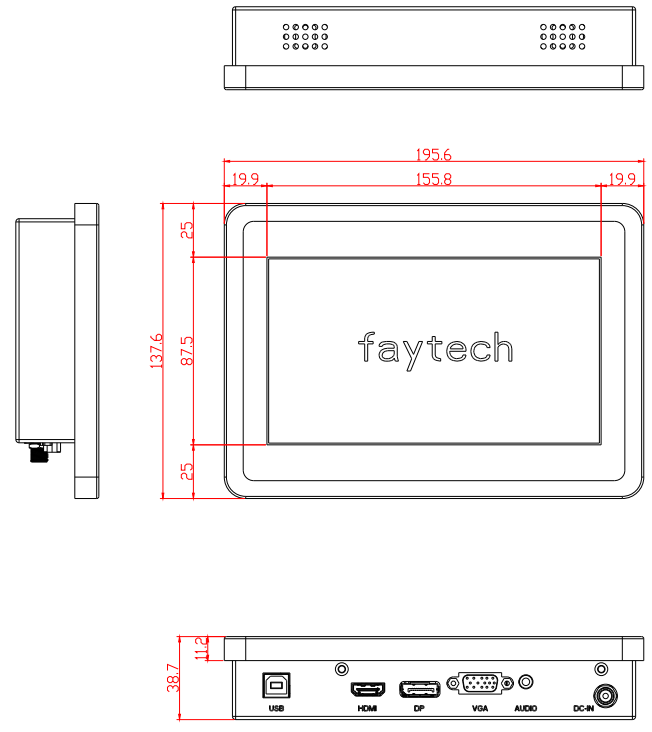

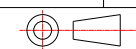


6		7		8	
No.	Rev.	Revision Record		Date	
△					



Tolerance: ±1.0mm

General Tolerance ISO 2768-1c	ISO 2768-1c	 深圳市飞帆泰科技有限公司 SHENZHEN FEIFANTAI TECHNOLOGY CO., LTD		
UNIT	mm	Description	9.7寸橡胶边框1.1盖板-TM-2556	
Scale	1:1	Designed	Date	2021-10-27
REV.		Checked	Date	
		Approved	Date	