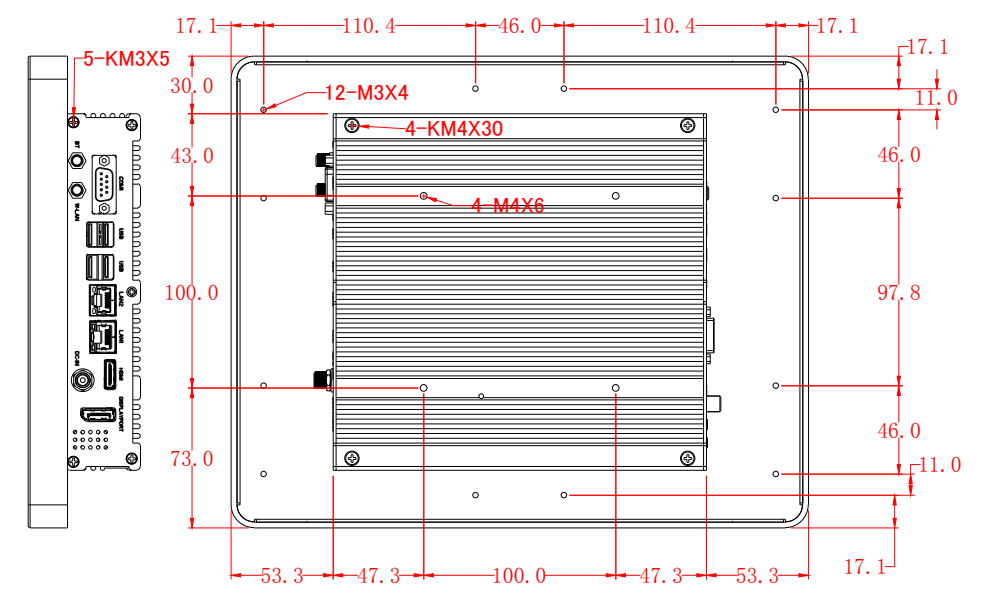
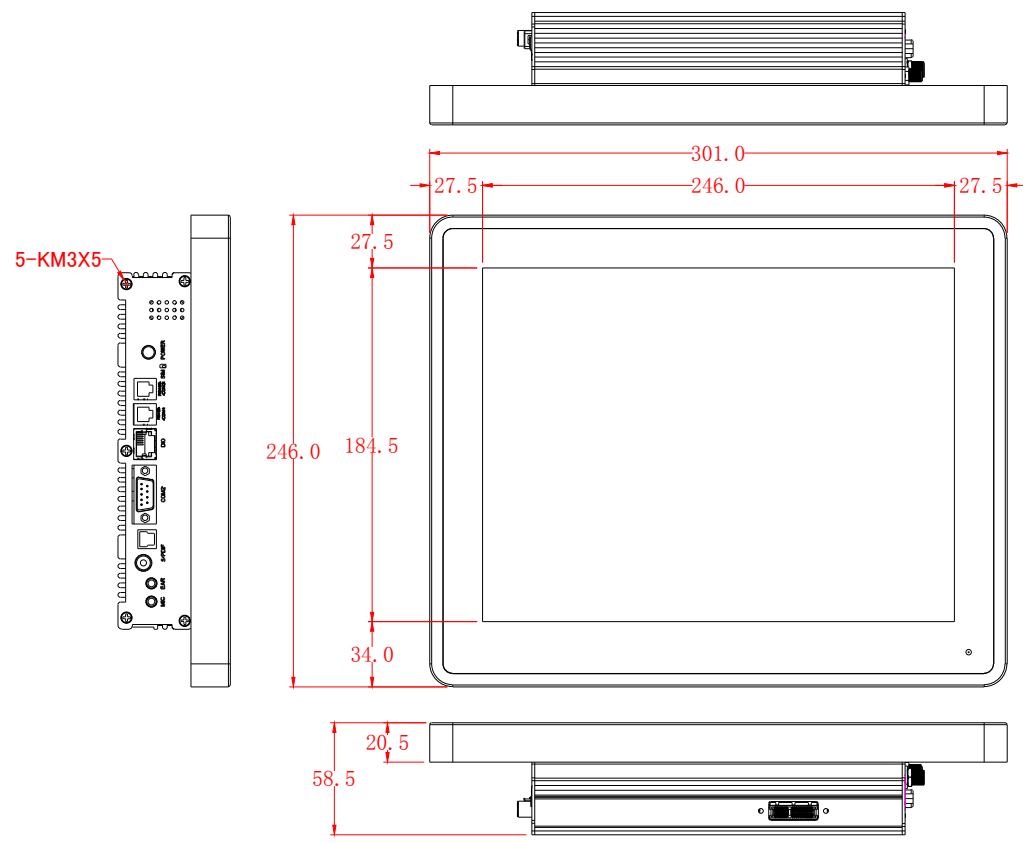


6		7		8	
No.	Rev.	Revision Record		Date	
△					



General Tolerance ISO 2768-1c					
UNIT	mm	Description		12.1RUBBER-PC	
Scale	1:1	Designed	Dongmei	Date	2019-04-17
REV.	A0	Checked		Date	
		Approved		Date	