

15" Resistive Touch Monitor

FT15TM



- HDMI, DP & VGA video connectors
- USB touch support
- 5-Wire Resistive touch technology
- Power supply & plastic desktop stand included
- VESA 100 mounting holes on the back
- Integrated audio speakers (2x2w)
- 2 year guarantee (24/7 operation)



faytech's Resistive Touch Monitors make your working process easier and more efficient. These monitors are packed with features and connectors that make them perfect for any industrial or commercial application.

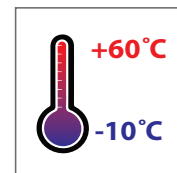
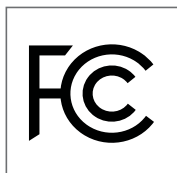
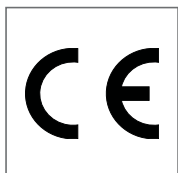
Each monitor is produced using an industrial LCD panel with back lighting (20,000 – 30,000 hour lifespan), 4- or 5-wire resistive touch and anti-glare coating to enhance the user's experience. All these devices are wall mountable or can be stationed anywhere with the high-quality stand.

- The 15-19" Monitors have HDMI, DP and VGA connectors.

This product line is the perfect choice for a wide variety of applications including use in POS systems, as control panels in the industrial area, in kiosk systems, for machine control, in the office and in many other fields.



Legend / Notes	
Applicable to version 1	(v1)
Applicable to version 2	(v2)
Applicable to all Versions	None



Product name				15" Resistive Touch Monitor			
Article code / EAN number				FT15TM / 6920734015115			
Global Article Code	European Article Code	Release date (D/M/Y)	Version*	Global Article Code	European Article Code	Release date (D/M/Y)	Version*
20205006600	1010500320	01/12/2015	v1				
3030509365	1010502332	01/05/2022	v2				

IP Rating	
IP40	

LCD Panel	
Screen diagonal (Inch/cm)	15/38.10
Display active screen size (cm)	30.56×22.95
Aspect ratio	4:3
Physical resolution	1280×768
Maximum showable resolution	1920×1200
Colours displayed	16.7M
Brightness (cd/m ²)	300
Contrast	700:1
Typical reaction time Tr/ Tf (ms)	8/12
Visual Angle horizontal/vertical (°)	160/160
Backlight / Backlight Lifetime (hours)	LED / 30,000

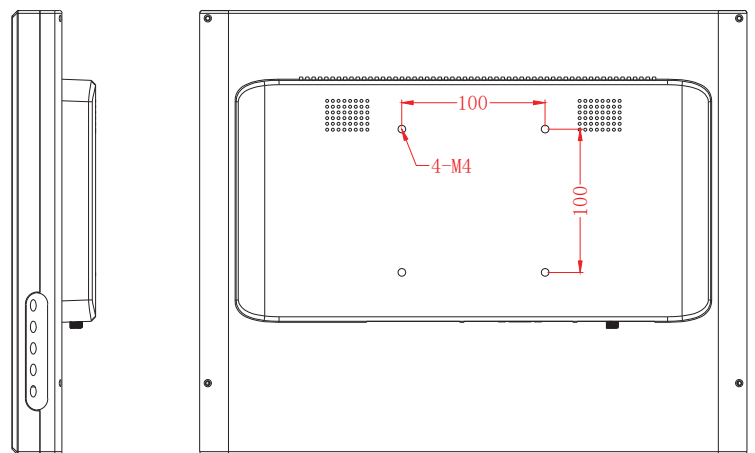
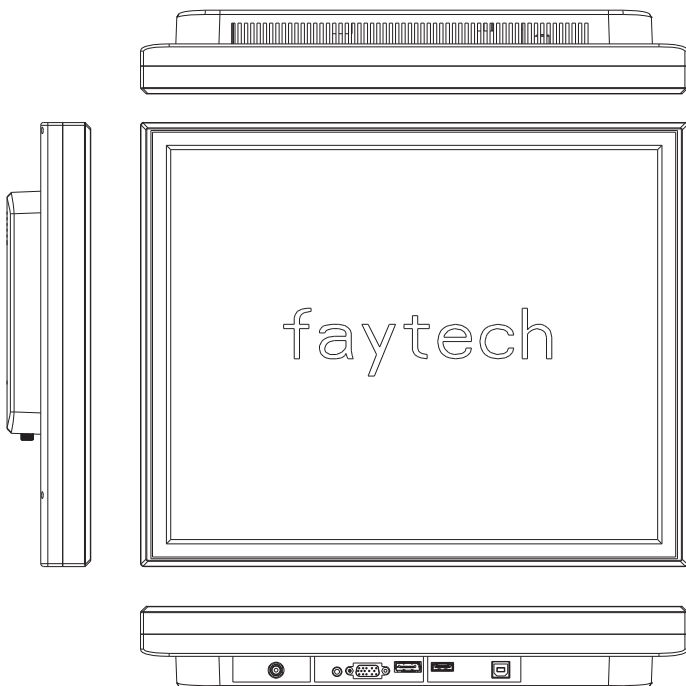
External Connectors	
Video	1x HDMI 1.3 (incl. HDCP)
	1x DP ^(v2)
	1x VGA
	1x DVI-D ^(v1)
Audio	1x PC-Audio
Touch Connector	1x USB
	1x Serial ^(v1)
Connectors	1x 12V DC-In (screwable)

Touch Panel	
Touch Technology	5-Wire Resistive
Touch Panel Drivers	Windows; Linux; Mac; Android
Touch Life (Contacts)	10 million touch in 1 location
Surface Hardness	3H
Surface Treatment	Anti-glare
Glass Strengthening	N/A

Operation / Mechanical	
Operating Temperature (°C)	-10 ~ +60
Humidity Range (RH)	10% - 90%
Net weight (kg)	3.00
Gross weight (kg)	5.00 (incl. cartonage)
Housing material	Plastic ABS case
Housing (mm) L × W × H	370.0 × 287.0 × 55.0
Cut-out for clamp supports (mm) L × H	N/A
Max. wall thickness for clamp supports (mm)	N/A
Amount of clamps required	N/A
Mounting	VESA 100

Power	
Power Indicator	Green LED
Power Supply	100-240V ACDC active switching; 12V DC-Out
Working Power (V)	12
Power Consumption (W)	15
Stand-By Consumption (W)	<1

Included in the Delivery	
Power Supply (see Power section)	
Short Installation Manual	
Cables - VGA, USB Touch, Audio Cable	
Stylus	
Plastic ABS Stand	



Tolerance: ± 1mm

Update Notes:

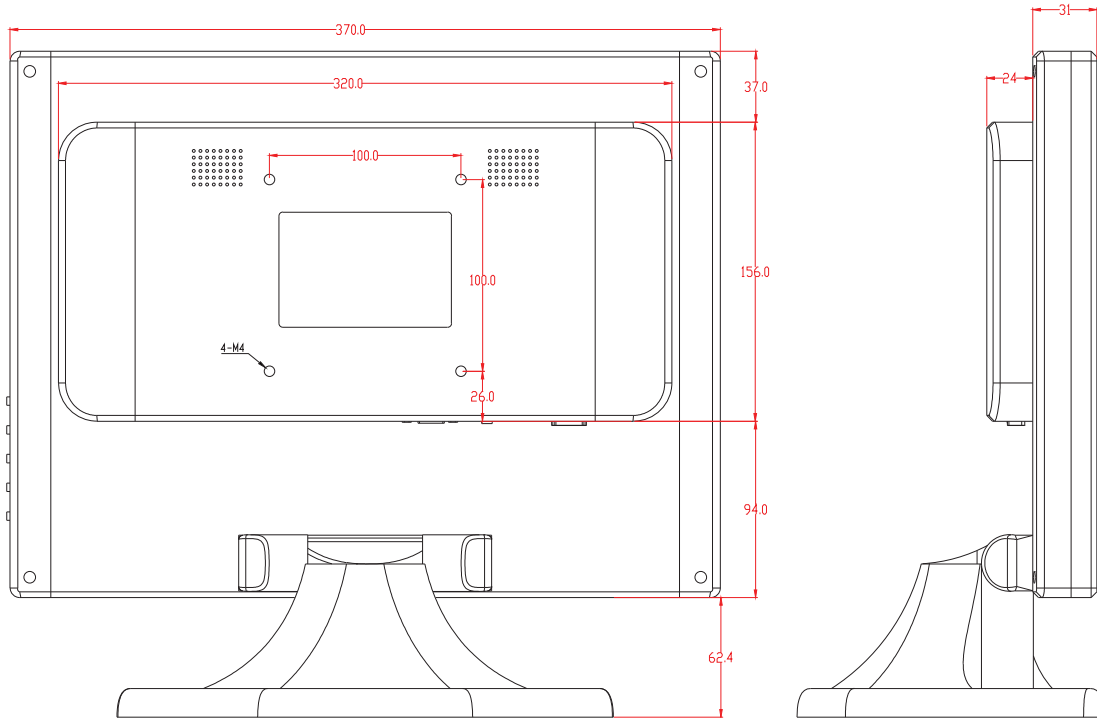
* Only the latest version can be ordered, previous versions are only for historic reference.

Version:

Changes:

- v2** - Switching of the DVI-D connector to a DP connector
Removal of the Serial (touch) port
(v2 drawing on previous page)
- v1** - First version

v1 drawing:



Corporate Headquarters

faytech AG
Bischhäuser Aue 10
37213 Witzenhausen
Germany

support@faytech.com
contact@faytech.com
www.faytech.com

Germany: +49 5542 30374 0
China: +86 755 89580612
USA: +1 646 843 0877
India: +91 11 49707436
Japan: +81 366 722 920
Korea: +82 10 3479 1815