

# 15.6" Capacitive Touch PC N4200

FT156N4200CAPOB



- Intel® Pentium® N4200 QuadCore CPU
- 4GB RAM memory, 128GB Industrial SSD
- Supports Windows 10 & Linux (32Bit, 64Bit)
- Anti-glare surface treatment (chemical etching)
- 10-Finger-Multi Touch Capacitive Touch Panel
- 1.1mm cover glass with 7H surface hardness
- Optically bonded Touch Panel to LCD Panel
- Patented IP65 front with silicon seal
- Integrated W-LAN
- 2 year guarantee (24/7 usage)



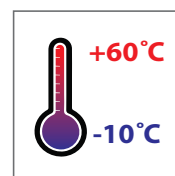
faytech's Capacitive PC series stands out among competition with its fanless silent operation, IP65 front panel design, high reliability and fine craftwork.

It is the perfect choice for industrial and business application. It has flat edge to edge glass with IP65 water- and dust proof front panels and a sturdy aluminum case with stable VESA 100 fixation bolts (VESA 400 for 32" and up).

The touch PC is powered by faytech's industrial Apollo Lake mainboard. It is driven by the powerful Intel® Pentium® N4200 QuadCore processor with up to 2.50 GHz clock frequency. This version is equipped with 4GByte RAM, 128G SSD and Intel's HD Graphic chipset, supporting FullHD, DirectX 11.1 and OpenGL 4.0.

These faytech PCs are the perfect choice for a wide variety of applications including POS systems, control panels in industrial fields, in kiosk systems, office/residence automation, digital signage and in areas like shopping malls, classrooms, hotels and many more.

Legend / Notes	
Applicable to version 1	(v1)
Applicable to version 2	(v2)
Applicable to version 3	(v3)
Applicable to version 4	(v4)
Applicable to all Versions	None



<b>Product name</b>				<b>15.6" Capacitive Touch PC N4200</b>			
<b>Model number / EAN number</b>				<b>FT156N4200CAPOB / 6920734001569</b>			
Global Article Code	European Article Code	Release date (DD/MM/Y)	Version*	Global Article Code	European Article Code	Release date (DD/MM/Y)	Version*
3030502605	1010501623	01/03/2019	v1	3030509531	1010502285	01/11/2021	v4
3030504403	1010501896	01/04/2020	v2				
3030506254	1010502104	18/01/2021	v3				

IP Rating	
IP65 Front / IP40 Back	

LCD Panel	
Screen diagonal (Inch/cm)	15.6/39.6
Display active screen size (cm)	34.42x19.36
Aspect ratio	16:9
Physical resolution	1920x1080
External Maximum showable resolution - HDMI, DP	1920x1200
Colours displayed	262K
Brightness (cd/m <sup>2</sup> )	250
Contrast	800:1
Typical reaction time Tr / Tf (ms)	15/15
Visual Angle horizontal / vertical (°)	170/170
Backlight / Backlight Lifetime (hours)	LED / min. 15,000

Operation / Mechanical	
Operating Temperature (°C)	-10 ~ +60
Humidity Range (RH)	10% - 90%
Net weight (kg)	4.20
Gross weight (kg)	6.10 (incl. cartonage)
Housing material	Rubber frame, Aluminum IPC back case
Housing (mm) L x W x H	389.3 x 246.8 x 49.3
Cut-out for clamp supports (mm) L x H	371.0 x 218.0 (v2) (v3) (v4)
Max. wall thickness for clamp supports (mm)	5.0 (v2) (v3) (v4)
Amount of clamps required	4 (v2) (v3) (v4)
Mounting	VESA 100

Internal Connectors (occupied)		
1x SO-DIMM, max. 8GB, DDR3L 1333/1600/1867 non-ECC, Single channel memory		
3x RS232/RS485 COM connectors switchable in BIOS		
2x LCD Backlight control/LCD panel voltage box		
1x 5V/12V SATA power connector	1x 12V DC power connector (2-pin)	
1x 4-pin SATA power connector	1x S/PDIF output pin header	
1x 8-bit Digital I/O interface	1x Line-out / Mic-in header	
1x Front Panel box header	1x Serial ATA 6Gb/s	
1x MIPI CSI connector	1x LVDS box header	2x USB 3.0 box header

PC System	
CPU	Intel® Pentium® QuadCore N4200
Graphic GPU	Intel® HD Graphics
Audio	Realtek ALC3251 Audio CODEC (v4)
Memory	4GB DDR3L non-ECC (max. 8GB)
Storage (switchable)	faytech Industrial 128GB SSD
Network	2x Realtek PCIe GB LAN 8111G (1x optional with POE); W-LAN
Driver Support	Win10; Linux; 32Bit/64Bit
Preinstalled OS	Linux Ubuntu

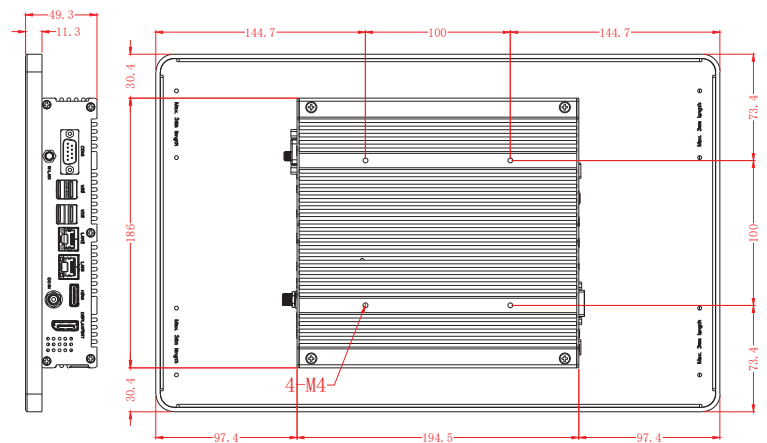
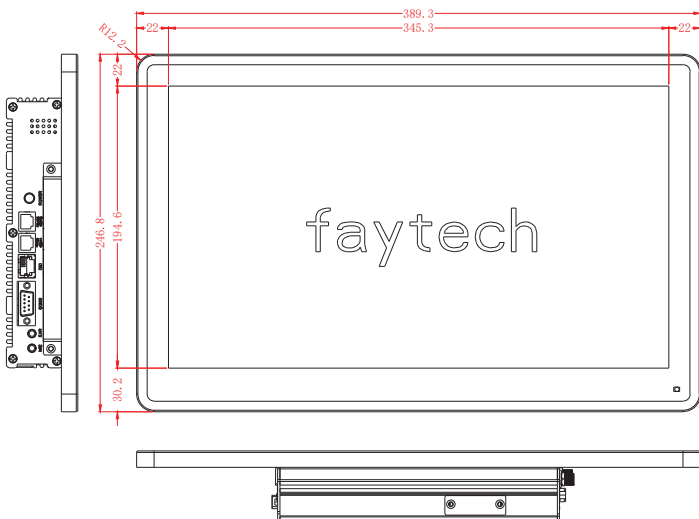
Touch Panel	
Touch Technology	Projected Capacitive 10-Point Multitouch
Touch Connector	USB
Touch Life (Contacts)	Unlimited
Surface Hardness	7H
Surface Treatment	Anti-glare (chemical etching)
Glass Strengthening	Chemically Strengthened

Power	
Power Indicator	Green LED
Power Supply	100-240V ACDC active switching; 12V DC-Out
Working Power (V)	12
Power Consumption (W)	16
Stand-By Consumption (W)	<1

External Connectors	
1x 12V DC-In (screwable)	
1x W-LAN antenna connector (RP-SMA male)	
2x USB 2.0	2x USB 3.0
1x HDMI	1x DP
1x MIC-In & EAR-Out	
1x 10-PIN DIO as RJ50 (v3) (v4)	
1x COM – RS 232/422/485 switchable; 5V/12V/RI option (COM1, DSUB9)	
1x COM – RS 232; RX/TX (COM2, DSUB9)	
2x COM – RS 232 & 485; RX/TX & A+/B- (COM3&4, RJ12)	
2x 10/100/1000Mbit RJ45 Ports	
1x 2.5" module slot, changeable SSD included	
1x S/PDIF-Out (1x Cinch, 1x Torx module) (v3) (v2)	
1x 8-PIN DIO as RJ45 (v3) (v2)	

Expansion Slots	
1x mSATA full size (occupied by SSD)	
1x M.2 E-Key Slot (occupied by Wifi card)	
1x SATA connector	
1x External PCIe x1 Straddle connector	

Included in the Delivery	
Power Supply (see Power section)	
W-LAN antenna (RP-SMA female)	
Short Installation Manual	
Standard Stand	



Tolerance: ± 1mm

Errata and technical modifications reserved

## Update Notes:

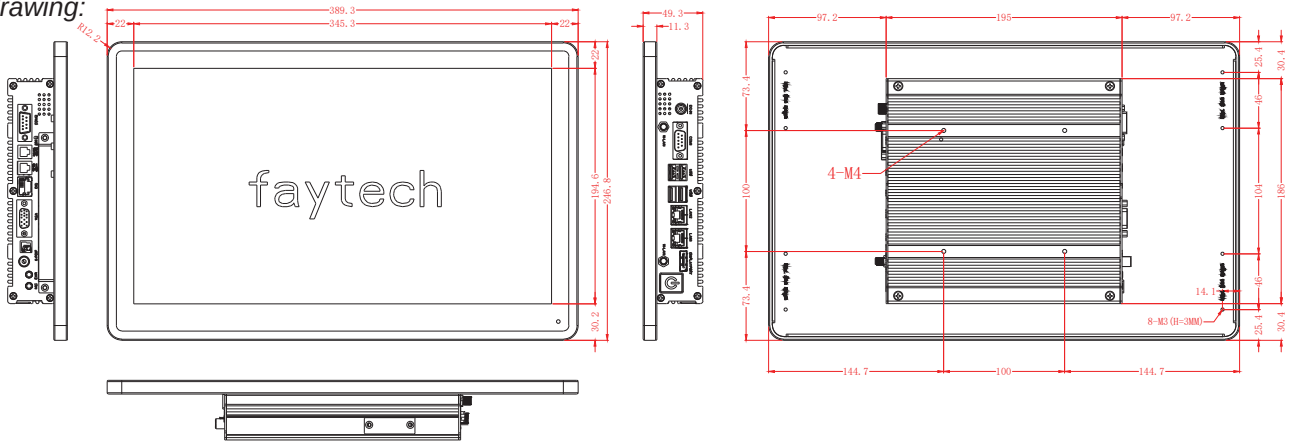
\* Only the latest version can be ordered, previous versions are only for historic reference.

### Version:

### Changes:

- v4** - Update of the audio chip from ALC3236 to ALC3251
- v3** - Update of internal wiring and components  
Removed the S/PDIF-Out (1x Cinch, 1x Torx module)  
Switched the 8-PIN DIO as RJ45 to 10-PIN DIO as RJ50  
(v3 & v4 drawing on previous page)
- v2** - Added screwholes for the the clamp support mounting option

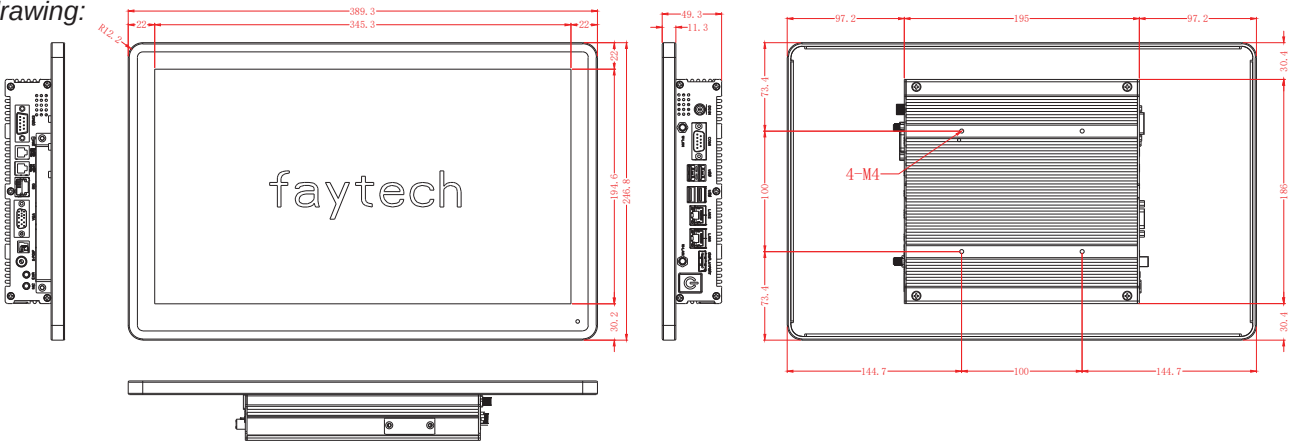
#### v2 drawing:



#### v1

- First version

#### v1 drawing:



## Corporate Headquarters

**faytech AG**  
Bischhäuser Aue 10  
37213 Witzenhausen  
Germany

[support@faytech.com](mailto:support@faytech.com)  
[contact@faytech.com](mailto:contact@faytech.com)  
[www.faytech.com](http://www.faytech.com)

**Germany:** +49 5542 30374 0  
**China:** +86 755 89580612  
**USA:** +1 646 843 0877  
**India:** +91 11 49707436  
**Japan:** +81 366 722 920  
**Korea:** +82 10 3479 1815