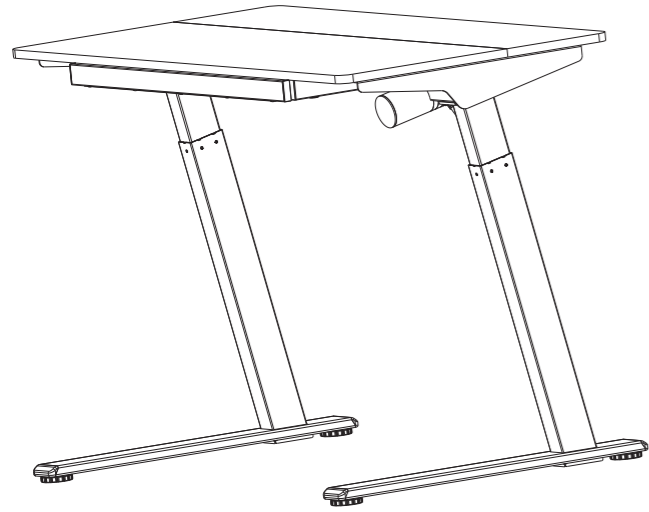


euroseats

Item No.: 75.WER.MODELZ Installation guide

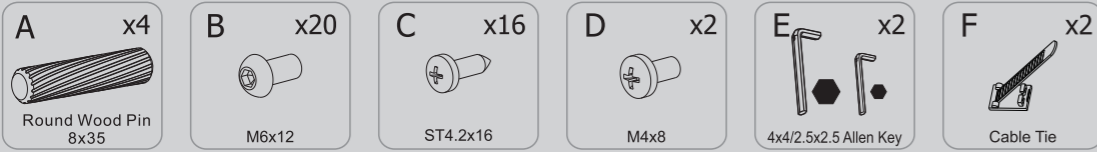


Technical data

Product Model	ETX116A
Column Stage	2
Max. Load Capacity	50KG
Average Speed	25mm/s
Highest Position	1220mm
Lowest Position	730mm
Drawer Dimensions	667.5mmx270mmx43mm
Tabletop Dimensions	1200mmx600mmx16mm
Duty Cycle	10%(Work continuously for 2 minutes, pause for 18 minutes)
Temperature	0~40°C

Accessory list

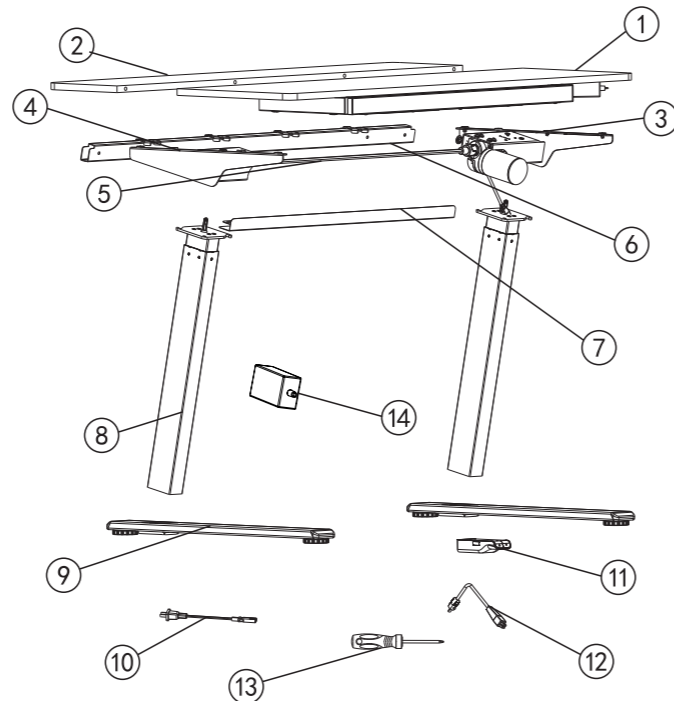
Attention: The drawings below are for guidance only and they may differ slightly from the product and fittings received. Please contact customer service department if there are any missing tools or installation problems.



Component List

No.	Part	Qty	No.	Part	Qty
①	Table Drawer	1	②	Rear Tabletop	1
③	Right Supporting Bracket	1	④	Left Supporting Bracket	1
⑤	Transmission Rod	1	⑥	Beam	1
⑦	Baffle	1	⑧	Lifting Column	2
⑨	Feet	2	⑩	Power Plug	1
⑪	Handset	1	⑫	Patch Cord	1
⑬	Phillips Screwdriver	1	⑭	Adapter	1

Installation Diagram

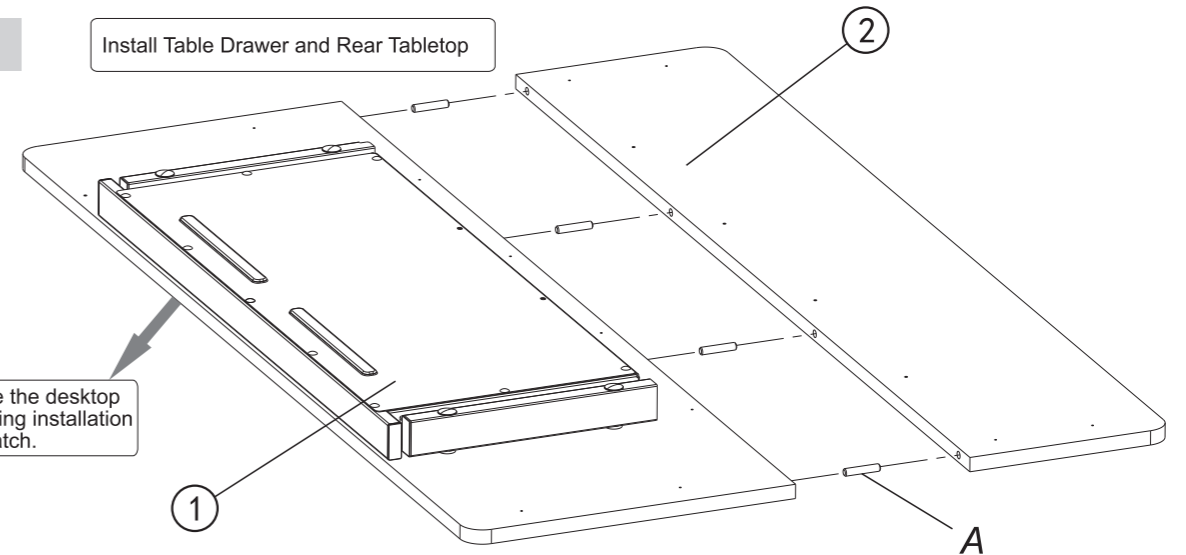


STEP 1

Install Table Drawer and Rear Tabletop



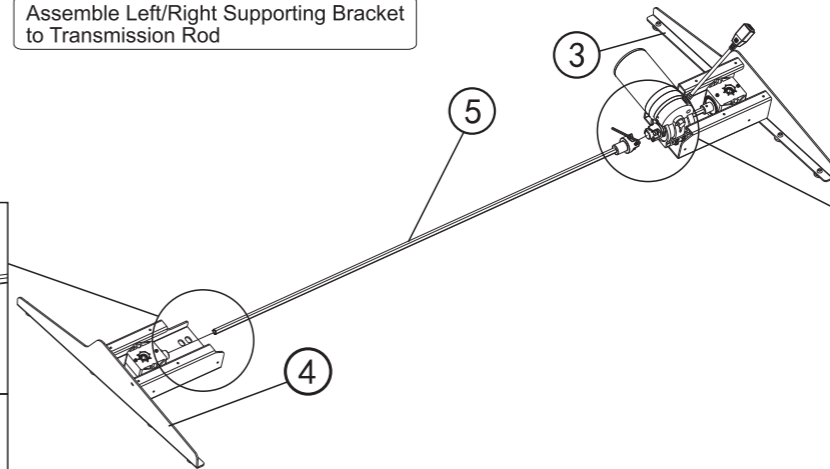
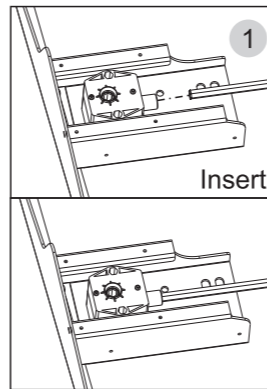
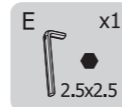
⚠ Please place the desktop carefully during installation to avoid scratch.



With the tabletop facing down, use the round wooden pin (A) to align the table drawer (1) and the rear tabletop (2) closely to form a Assembly I.

STEP 2

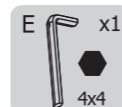
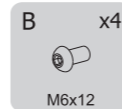
Assemble Left/Right Supporting Bracket to Transmission Rod



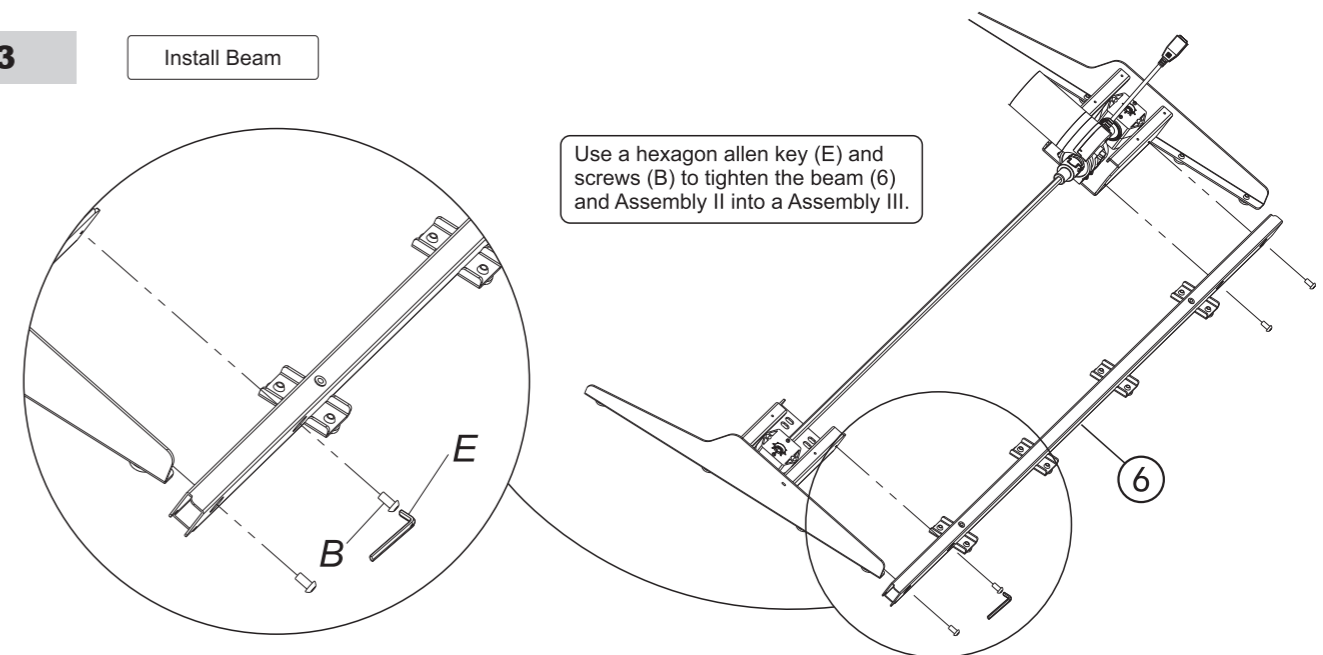
Use the transmission rod (5) to connect the left supporting bracket (4) and the right supporting bracket (3) into Assembly II: Use a 2.5x2.5 allen key(E) to tighten the screws on the transmission rod(5).

STEP 3

Install Beam

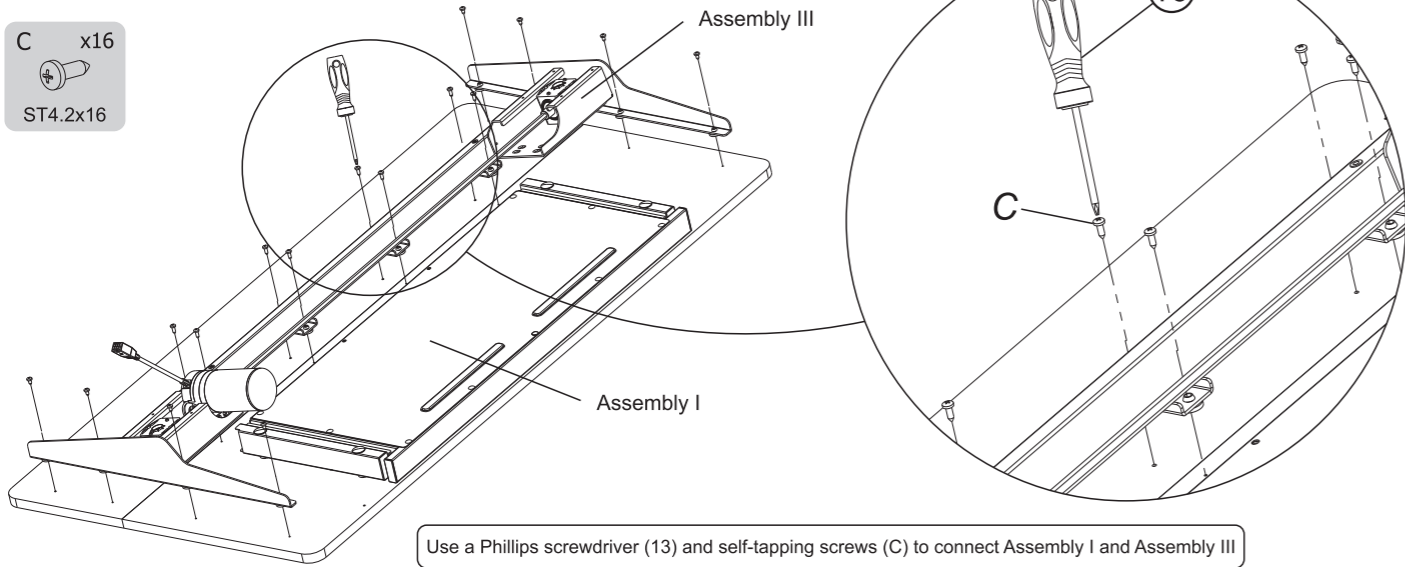


Use a hexagon allen key (E) and screws (B) to tighten the beam (6) and Assembly II into a Assembly III.



STEP4

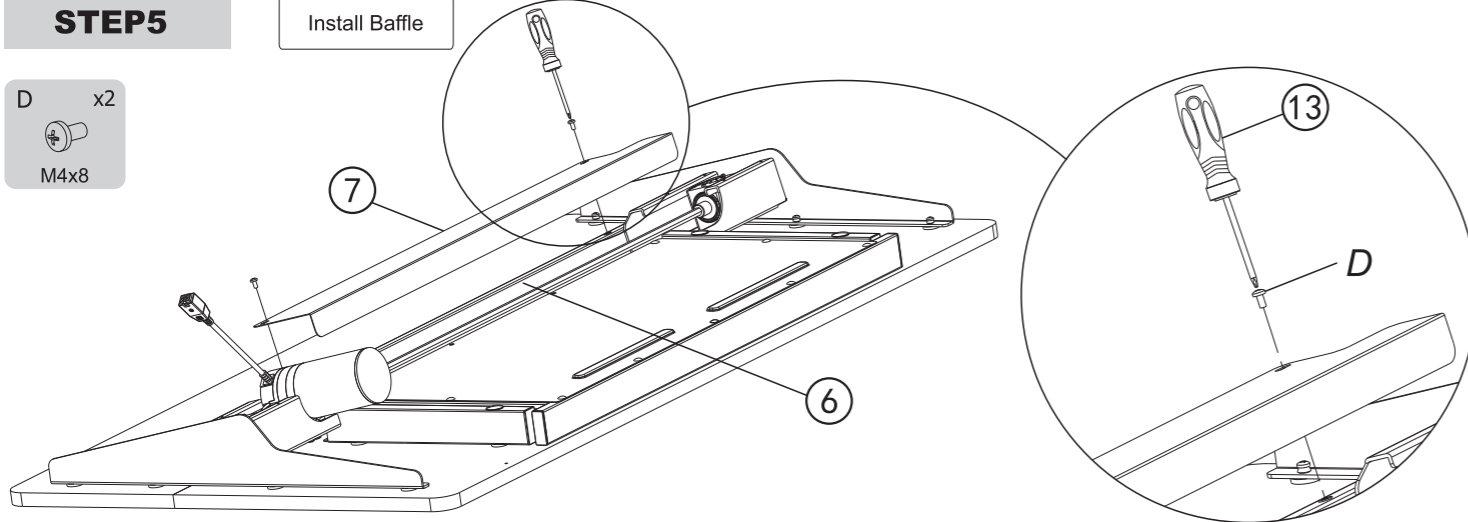
Install Assembly I and Assembly III

C x16
ST4.2x16

Use a Phillips screwdriver (13) and self-tapping screws (C) to connect Assembly I and Assembly III

STEP5

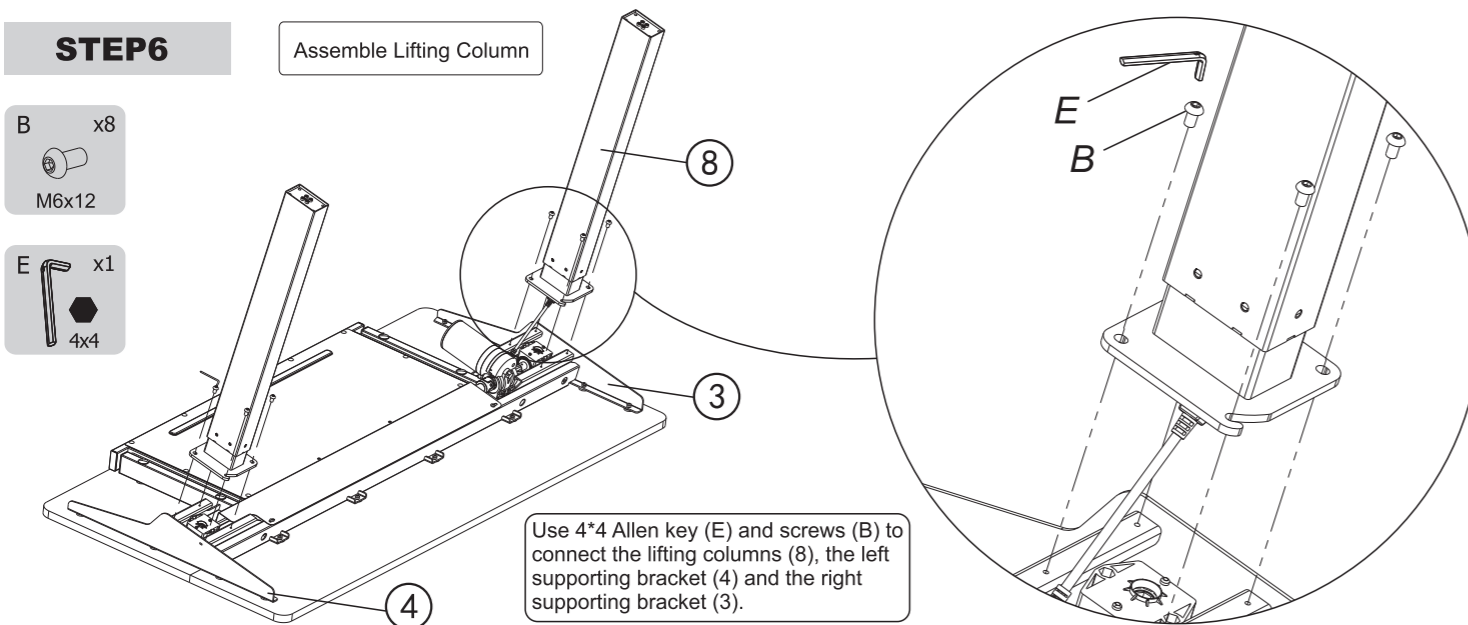
Install Baffle

D x2
M4x8

Use a Phillips screwdriver (13) and screws (D) to connect baffle (7) and beam(6).

STEP6

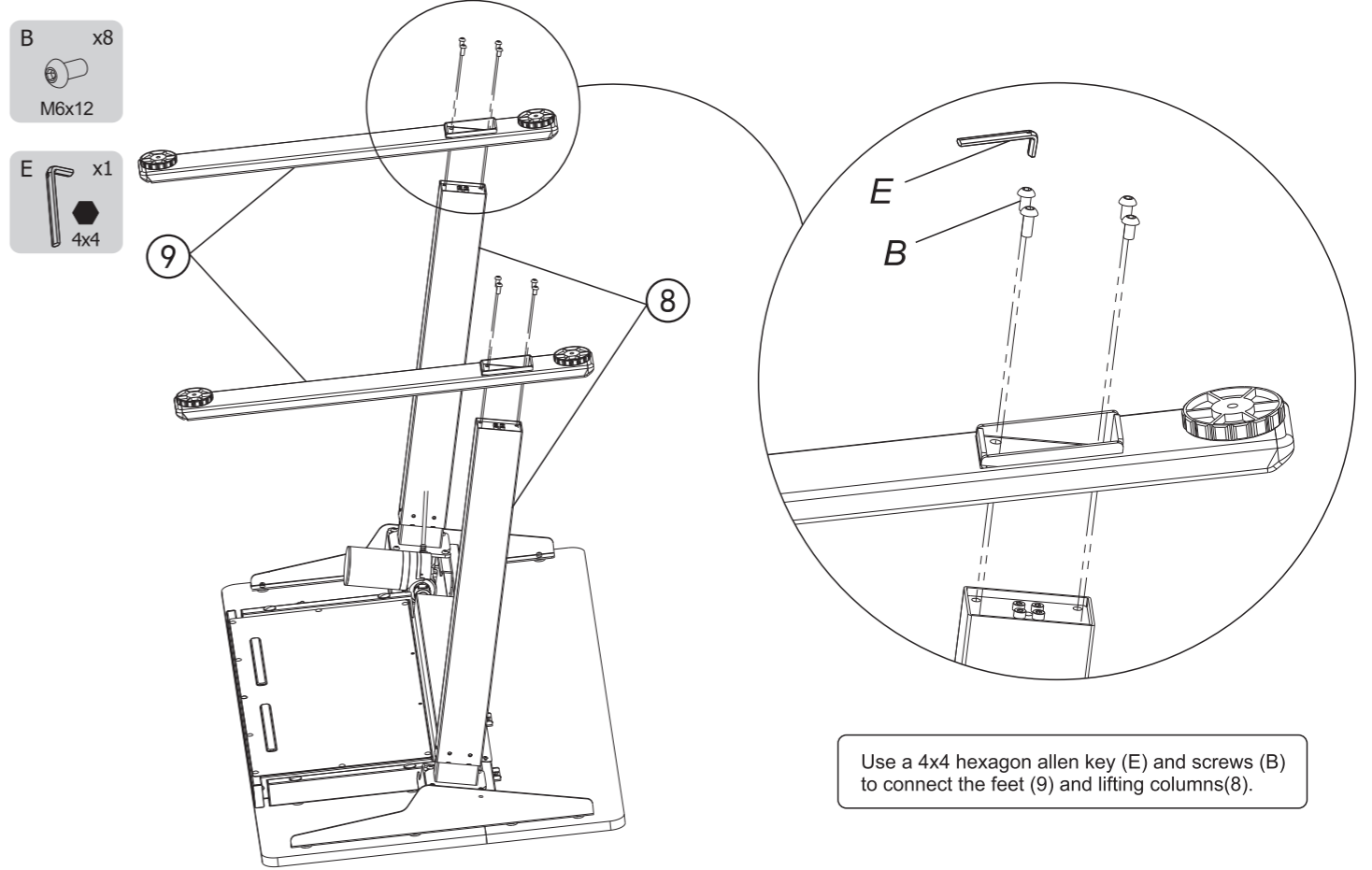
Assemble Lifting Column

B x8
M6x12E x1
4x4

Use 4*4 Allen key (E) and screws (B) to connect the lifting columns (8), the left supporting bracket (4) and the right supporting bracket (3).

STEP7

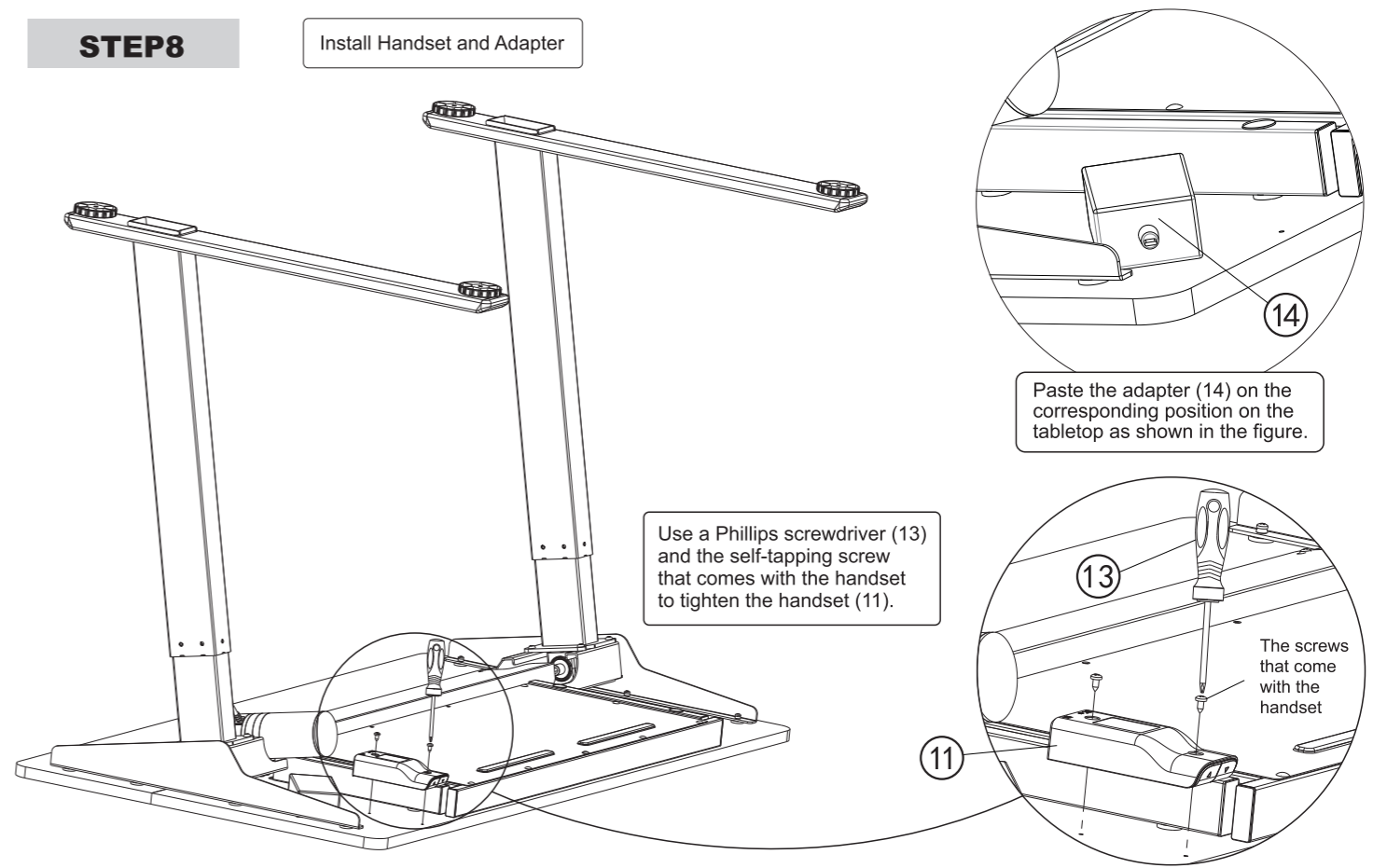
Attach Feet

B x8
M6x12E x1
4x4

Use a 4x4 hexagon allen key (E) and screws (B) to connect the feet (9) and lifting columns(8).

STEP8

Install Handset and Adapter



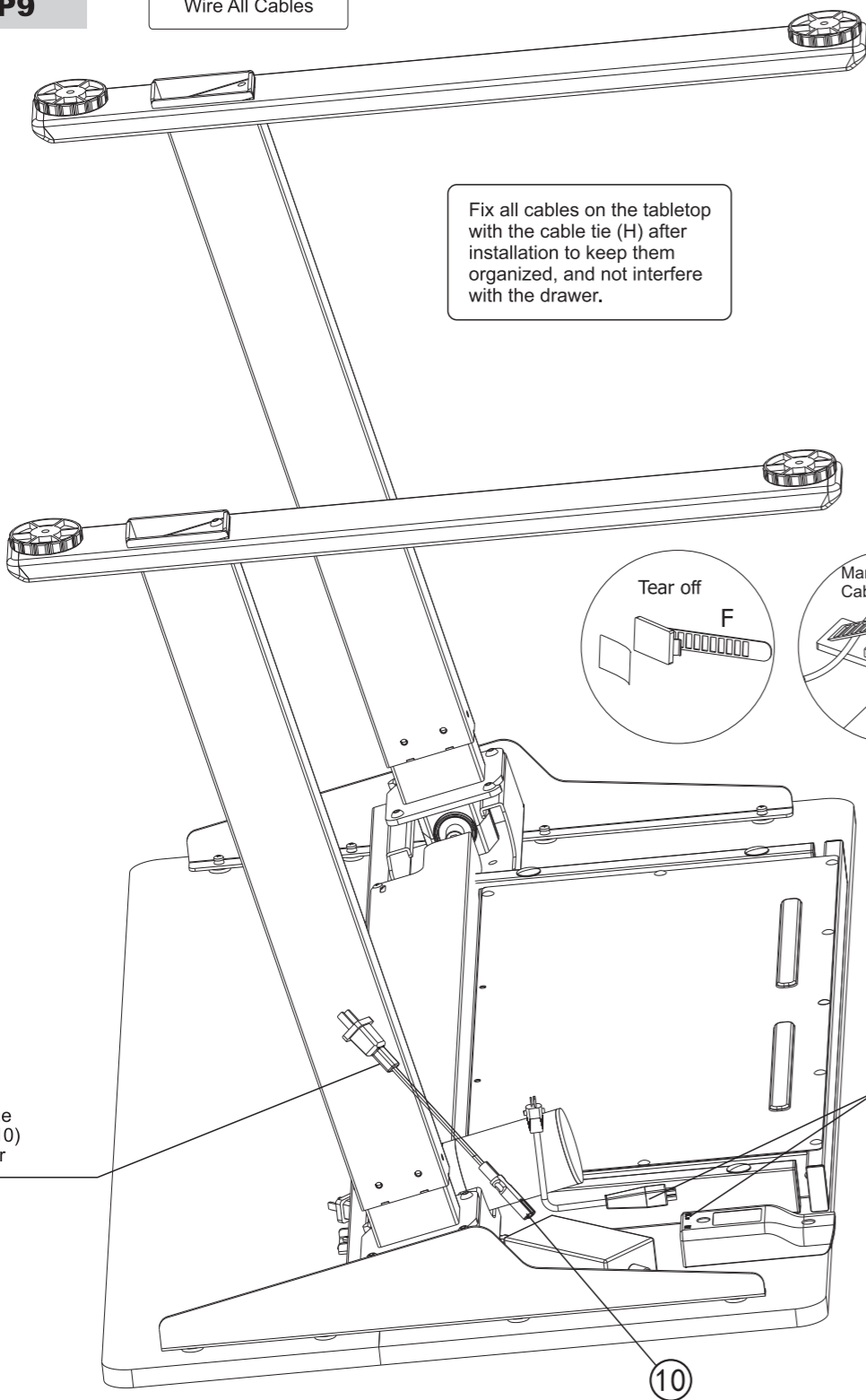
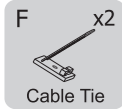
Use a Phillips screwdriver (13) and the self-tapping screw that comes with the handset to tighten the handset (11).

Paste the adapter (14) on the corresponding position on the tabletop as shown in the figure.

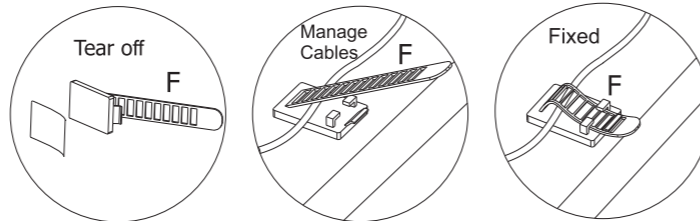
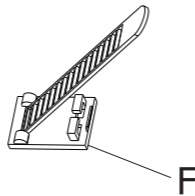
The screws that come with the handset

STEP9

Wire All Cables

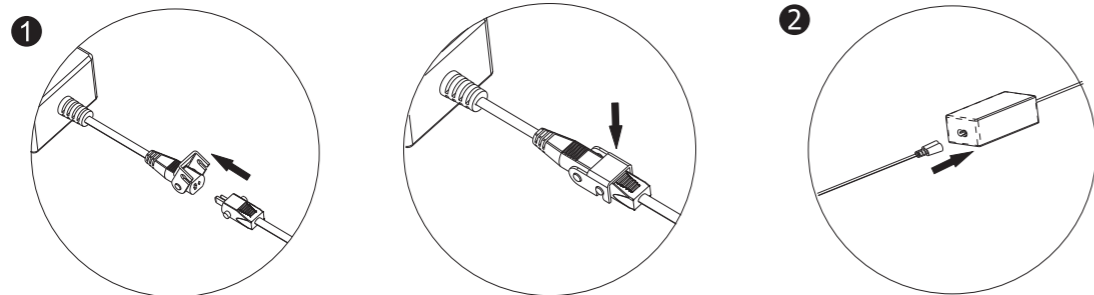


Fix all cables on the tabletop with the cable tie (H) after installation to keep them organized, and not interfere with the drawer.



1. Insert the motor wire into the M1 port of the handset.
2. Insert one end of the patch cord (12) into the DC port of the handset and connect the other end to the adapter.

3. Connect the power plug (10) to the adapter



How to use handset

●	“▲”	Adjust the desk upwards
●	“▼”	Adjust the desk downwards

Operation

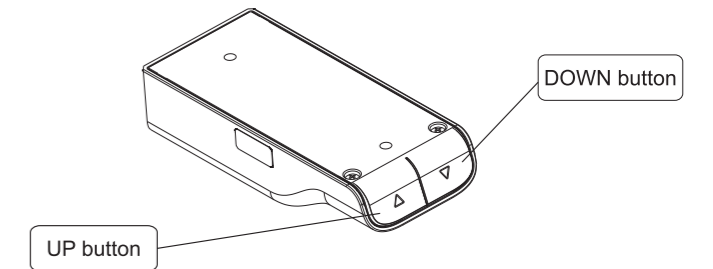
- Button Lift Function
Press the “▲” or “▼” button to adjust the height of the desk.
- Reset Function
(1) When at the lowest position, long press the “▼” button for more than 5 seconds to enter the reset mode. The reset will be finished until the lift system rebound and stop after reaching the bottom.
(2) When the lifting system fails, release the button, long press the “▼” button, the reset will be finished until the lift system rebound and stop after reaching the bottom.

Common fault treatment

The following tips will help you detected and eliminate the common fault and error. If the error you meet is not on the list, please contact our customer service.

Error	Method
No response while pressing	Check if all the cables well connected;
Rising in a low speed	Check if overloaded, max loading: 50kg;
The desktop moving towards the opposite direction as ordered	Reset;
The desk moving downwards without any operation	Check if overloaded, max loading: 50kg;
Automatically Self-Reset	Check if overloaded, max loading: 50kg;
Overload Operation	Restart after suspend for 18mins while connecting with power;
Can't reach the min or max height	Reset.
Trigger anti-collision function	Do not move the drawer during adjusting the height.

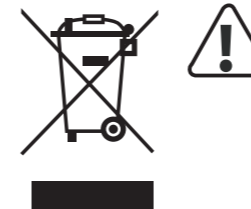
Button



Attention

1. Power supply: AC100V~240V, 50/60Hz
2. Service Environment: 0-40°C
3. Unplug the power plug before cleaning, wipe the dust on surface with slight wet dishcloth when cleaning, be careful not to let the drops into the internal parts, not loose the connector.
4. The electric box contains electronic components, metals, plastics, wires etc., so dispose of it in accordance with each country's environmental legislation, not the general household waste.
5. Check carefully to ensure correct and complete assembly before using.
6. Be familiar with all functions and program settings of the product before first use.
7. Children are forbidden to play on the product because of unforeseen action when playing, so any dangerous consequences caused by this improper action will not be on manufacturers.
8. Slight noise caused by the V-ribbed belt or brake system due to structure will not have any effect on the use of the equipment.
9. Corrosive or abrasive materials are forbidden to clean the equipment. Must ensure that the cleaner used will not pollute the environment.
10. This appliance can be used by children aged from 8 years and above and persons with reduced physical, sensory or mental capabilities or lack of experience and knowledge if they have been given supervision or instruction concerning use of the appliance in a safe way and understand the hazards involved. Children shall not play with the appliance.
11. Cleaning and user maintenance shall not be made by children without supervision.
12. If the supply cord is damaged, it must be replaced by the manufacturer, its service agent or a similarly qualified person in order to avoid a hazard.
13. Please make sure there is no hazard sources in your operating environment, e.g., do not litter the tools around. Always be careful to treat the packaging materials in order to avoid any possible danger, e.g. plastic bag may lead to choking hazard to children.
14. Keep the original package of the equipment if necessary in case of the future use in transportation.

Waste disposal



This marking indicates that this product should not be disposed with other household wastes. To prevent possible harm to the environment or human health from uncontrolled waste disposal, recycle it responsibly to promote the sustainable reuse of material resources. To return your used device, please use the return and collection systems or contact the retailer where the product was purchased. They can take this product for environmental safe recycling.

Euroseats B.V.
Deventerweg 7
3771 NP
Barneveld
Netherlands