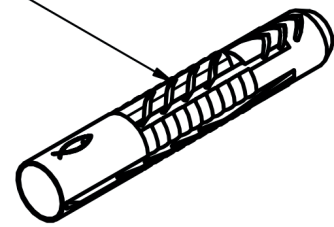
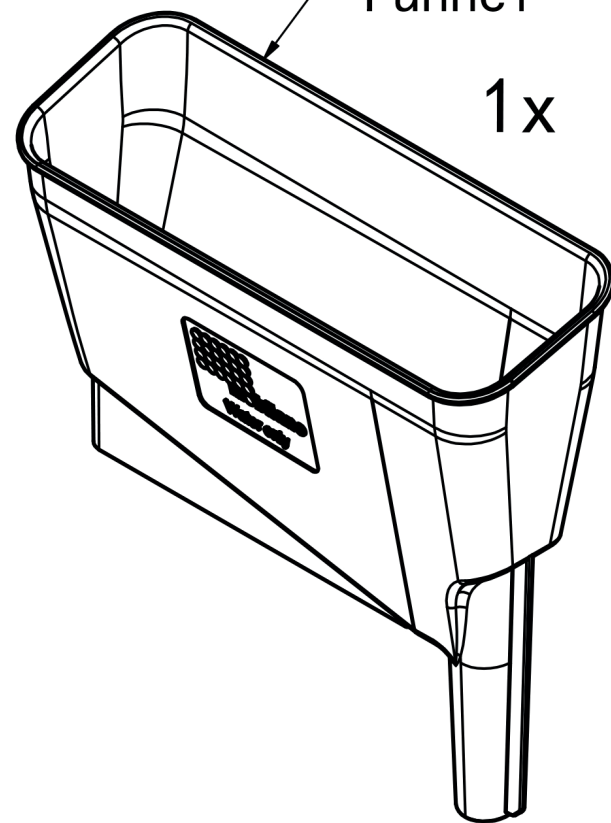


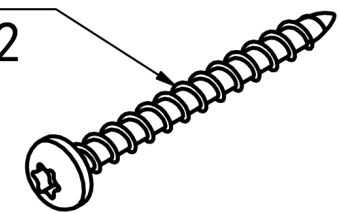
14-0122-99-06
fischer UX 8x50
13x



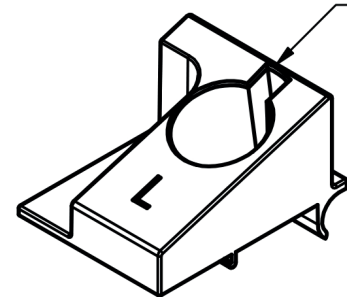
15-0089-00-01
Funnel
1x



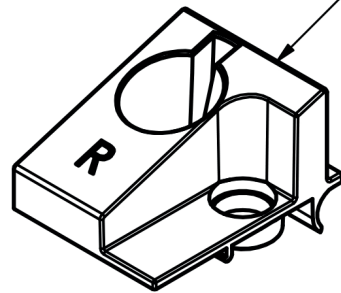
14-0122-99-11
fischer 5,0x60 CK T-25 RVS A2
13x



16-0151-01-01
Funnel Block Left
3x



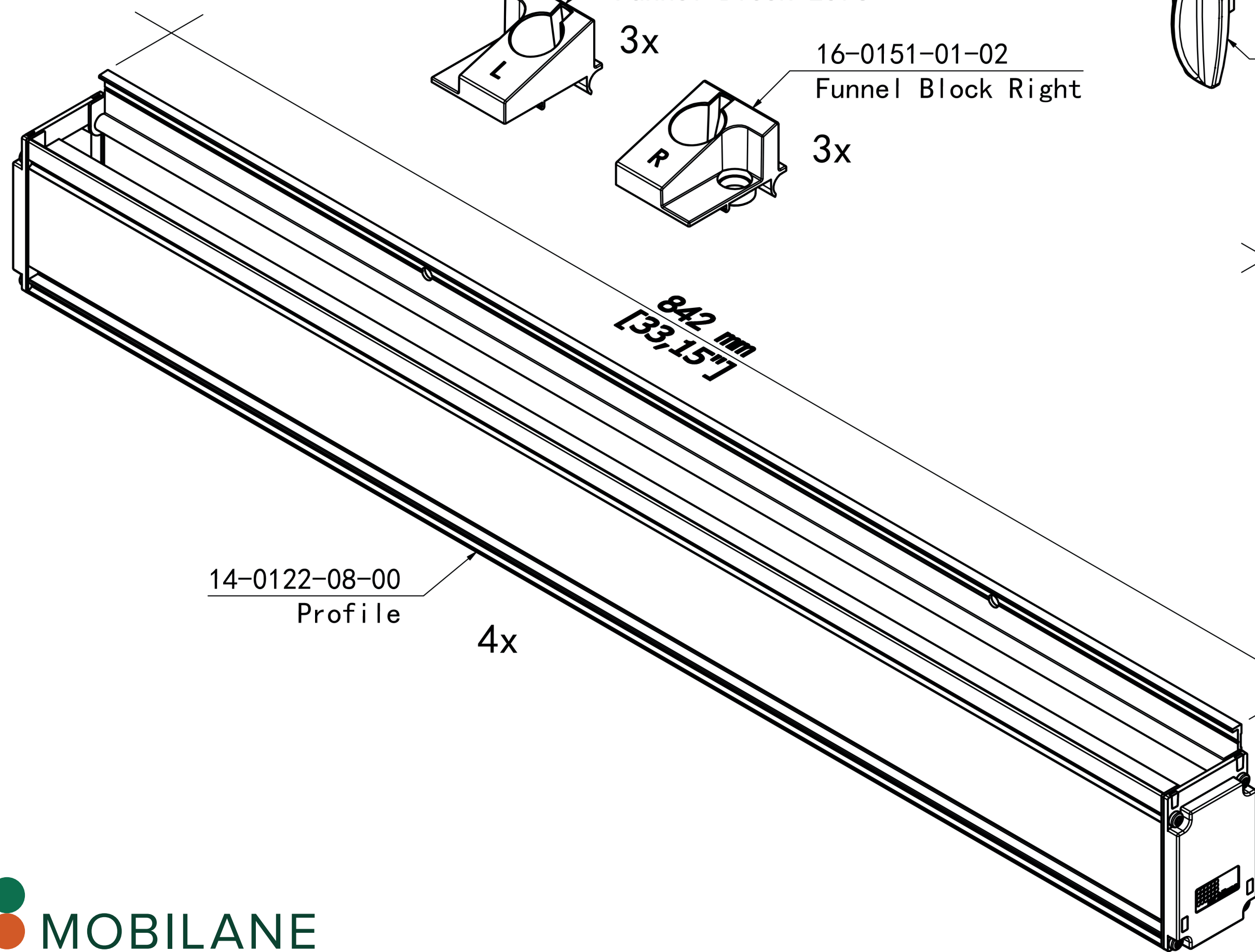
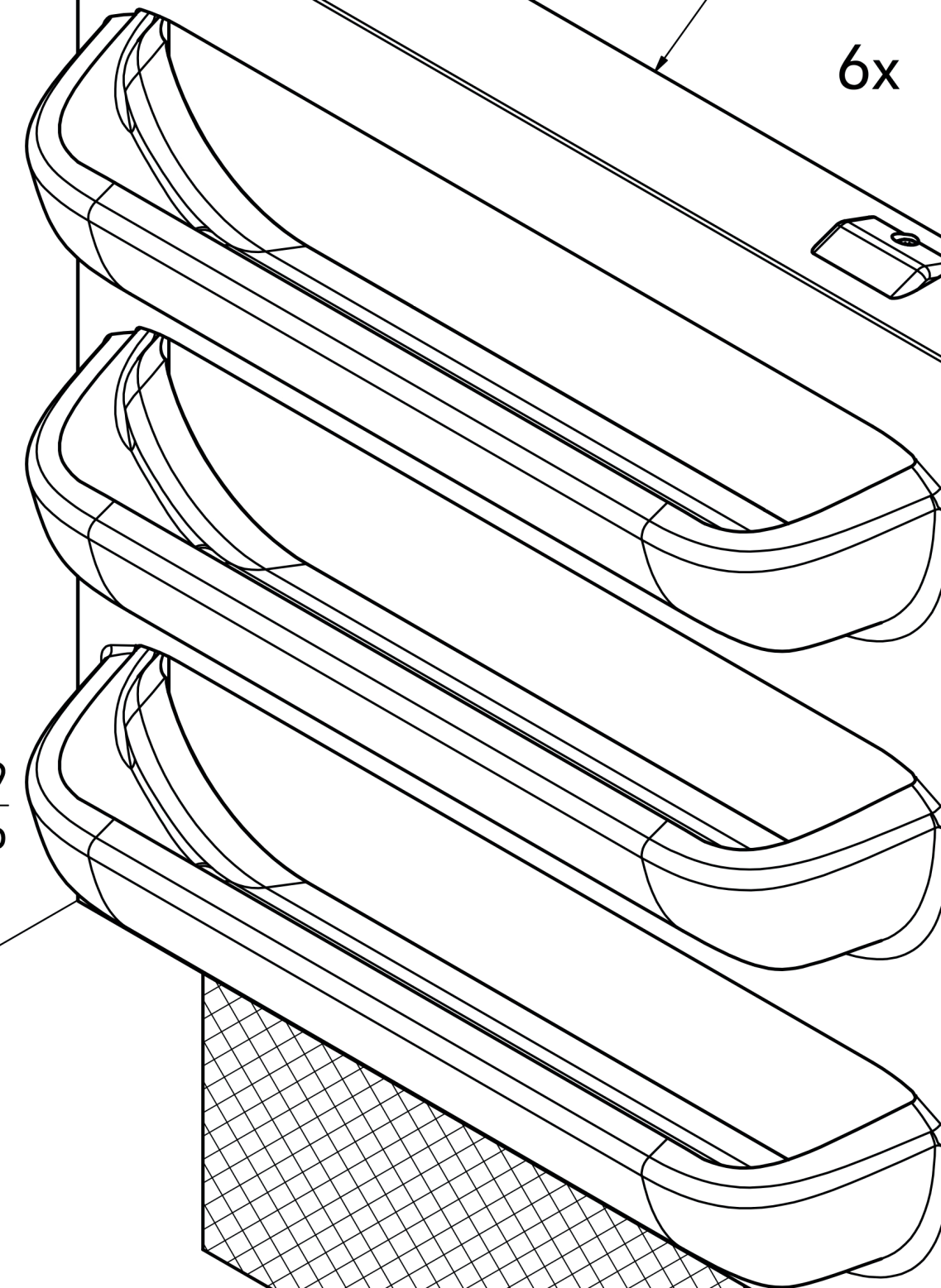
16-0151-01-02
Funnel Block Right
3x



14x
14-0122-00-09
Cassette Clip



18-1678-01-00
Cassette
6x



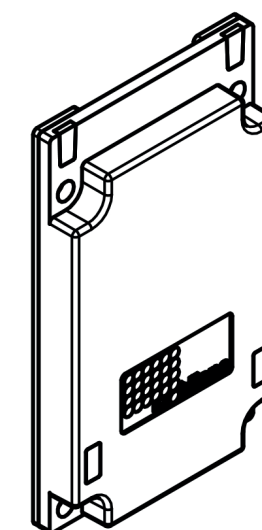
14-0122-08-00
Profile
4x

400 mm
[15,75"]

400 mm
[15,75"]

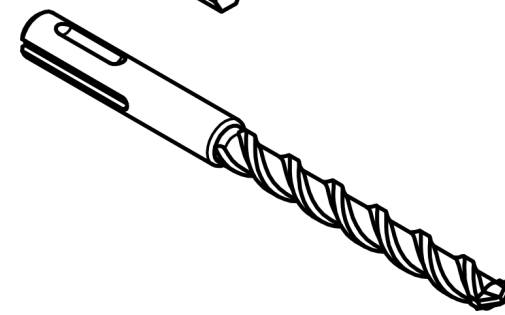
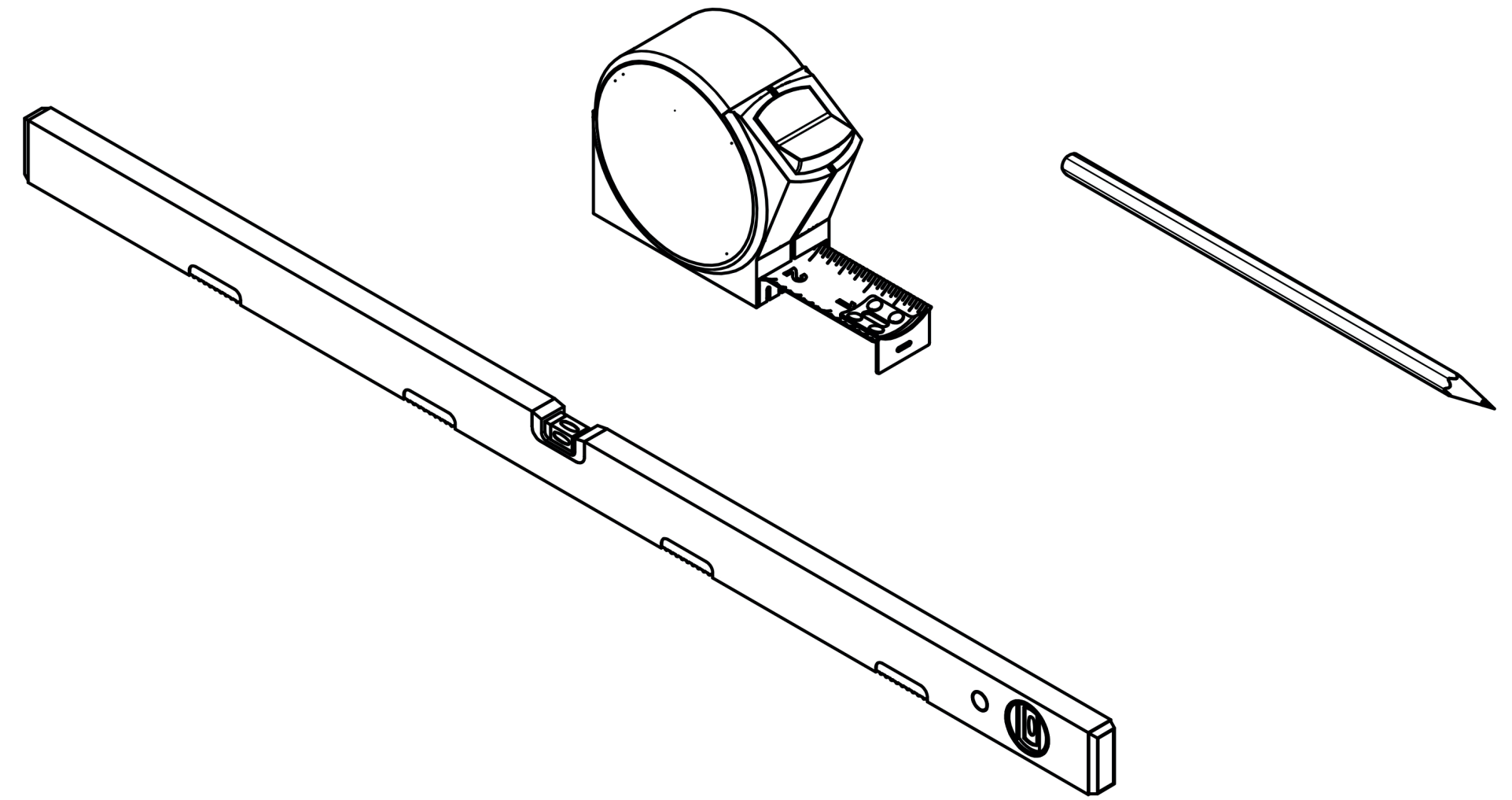
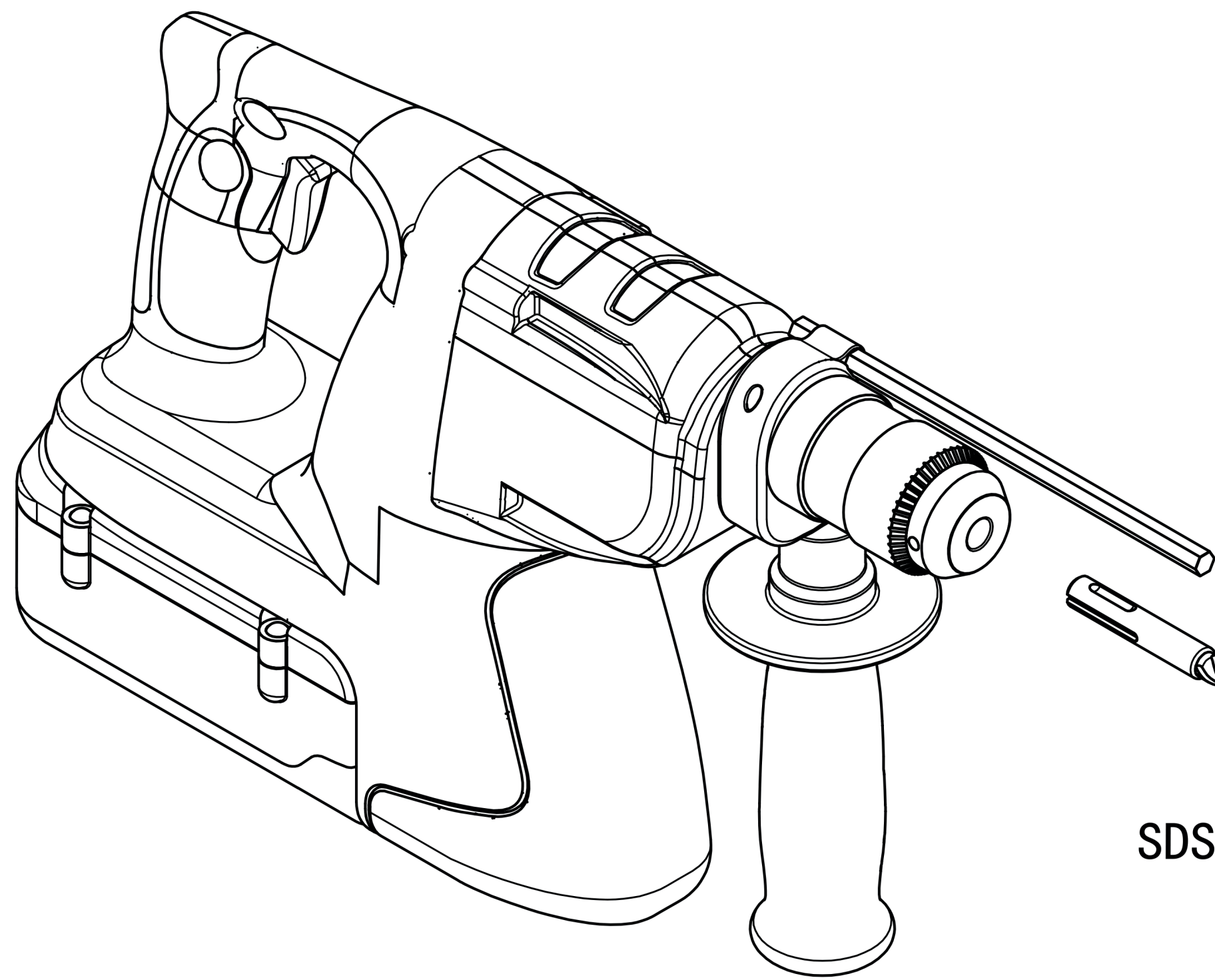
48 mm
[1,89"]

14-0122-00-07
Endcap Transparent
1x

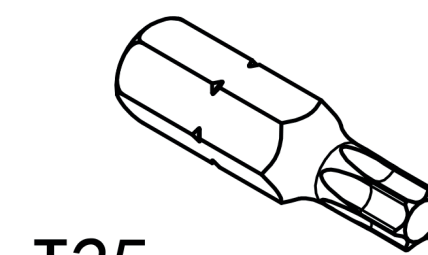
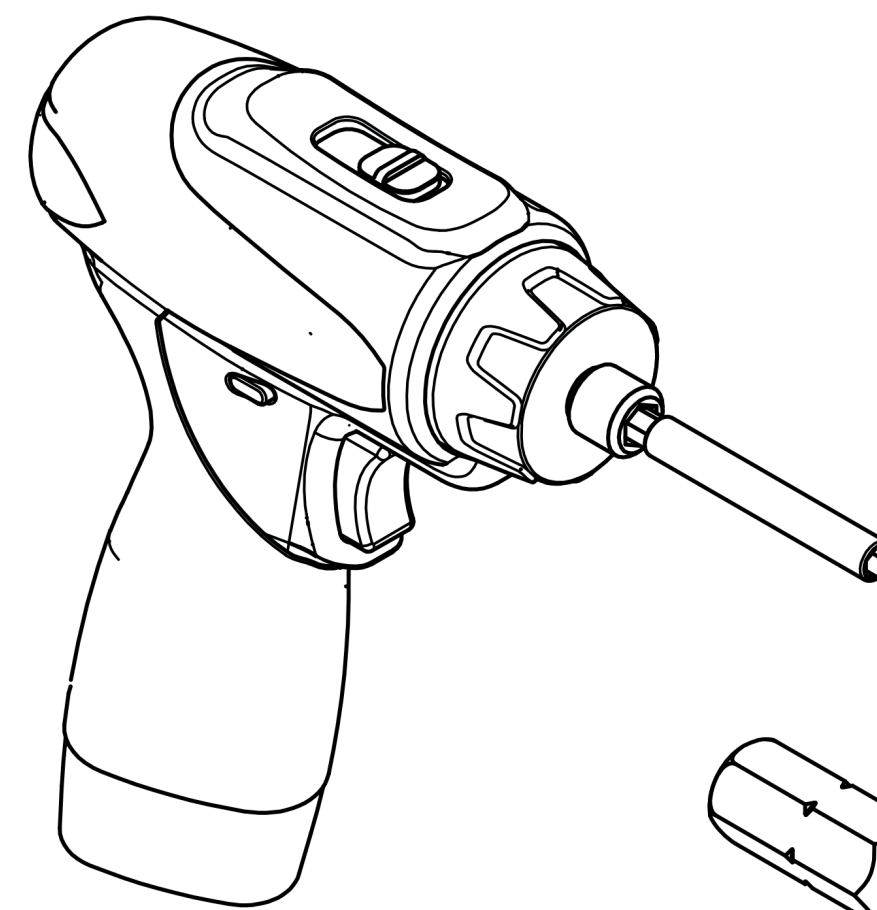
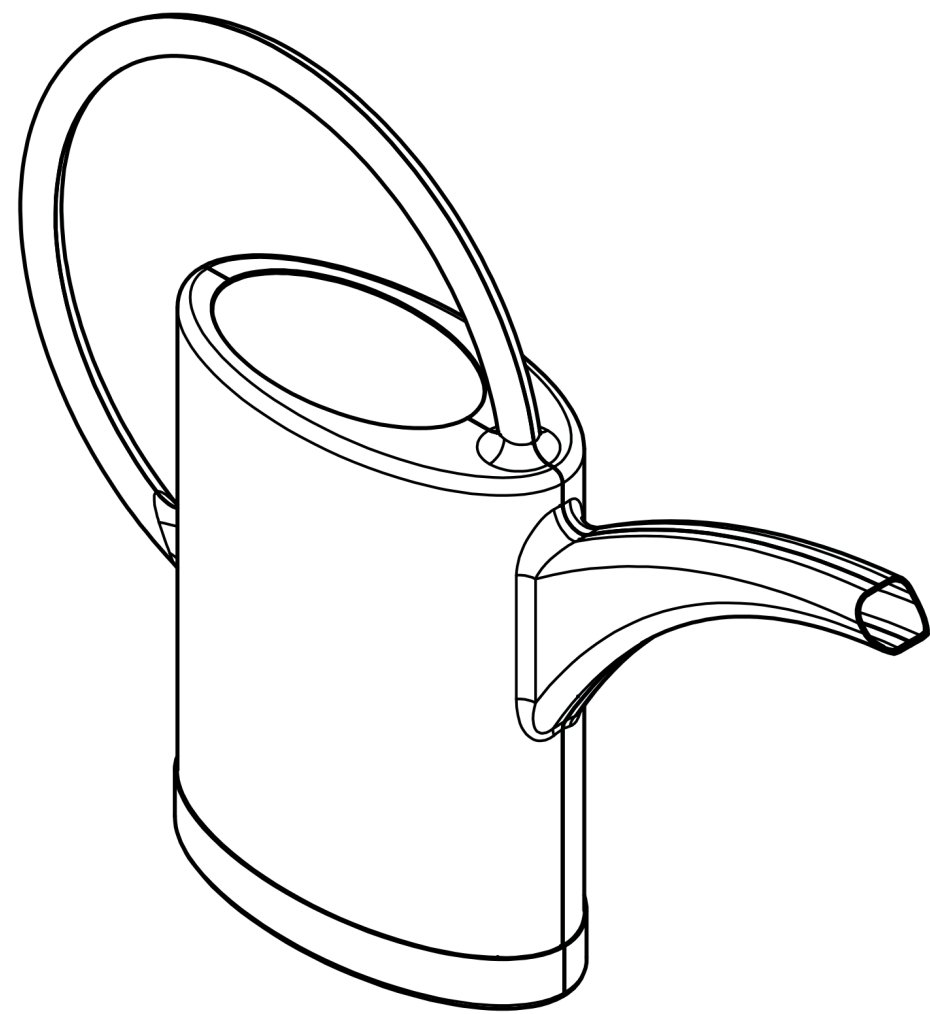


14-0122-99-05
DIN-7981/A2 3,9x19 T15
4x

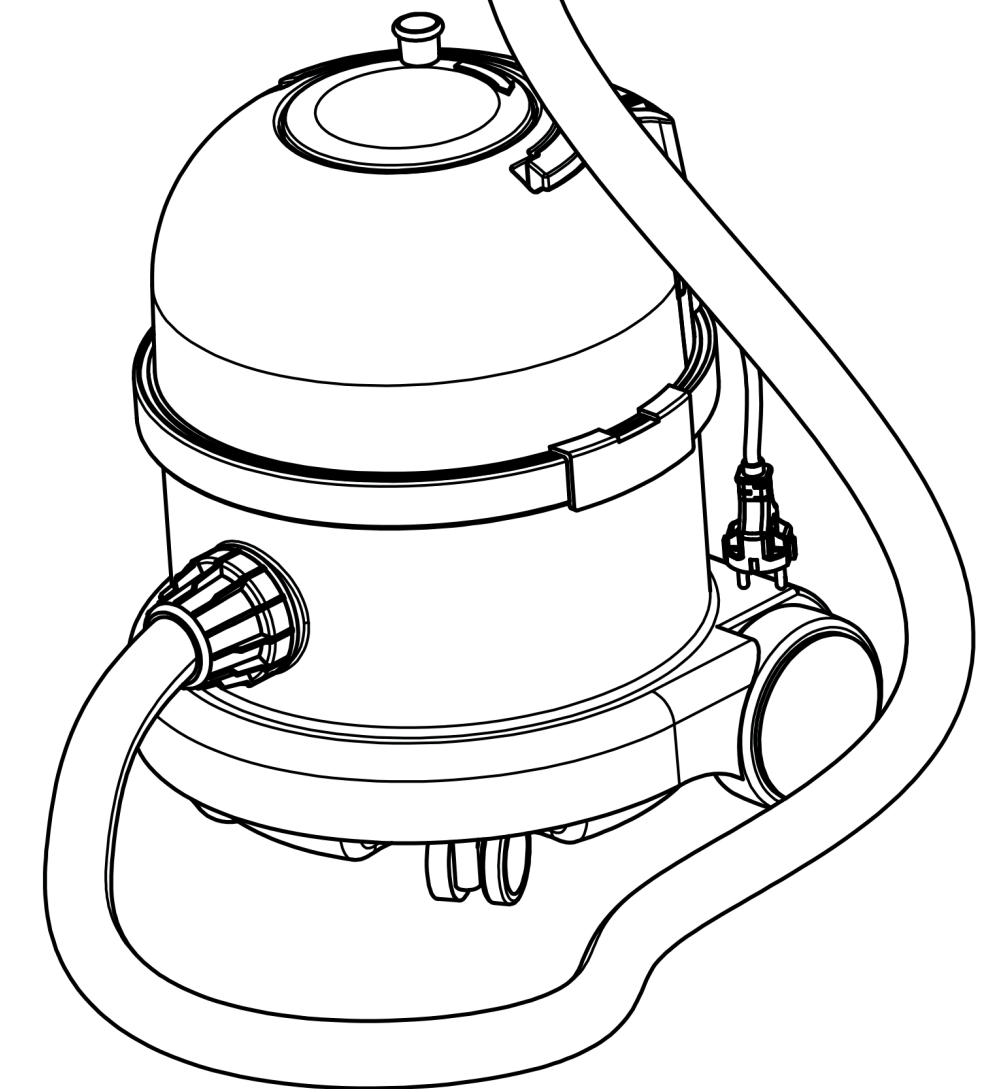
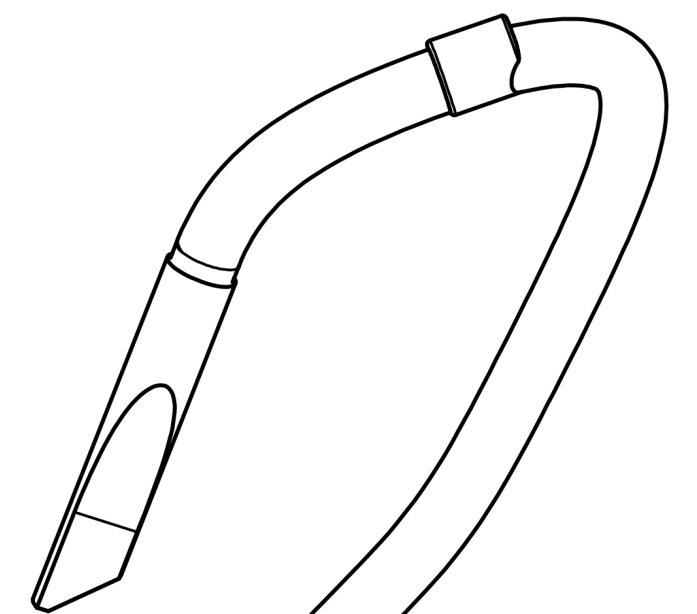




SDS 8 mm [5/16"]

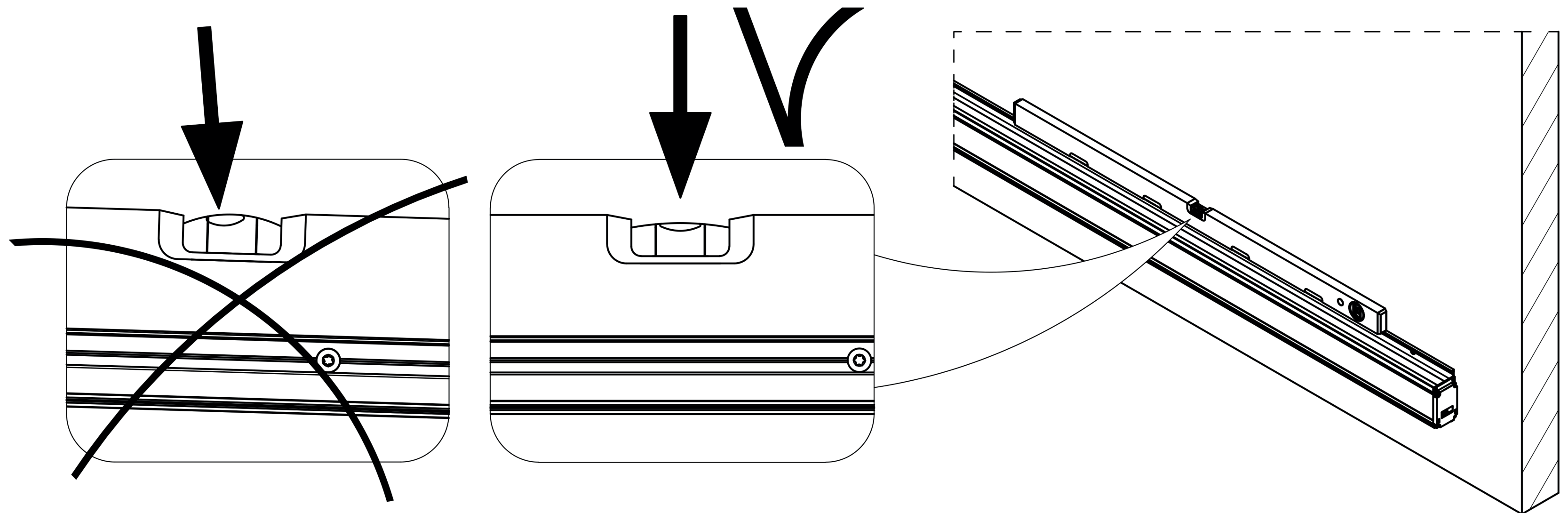
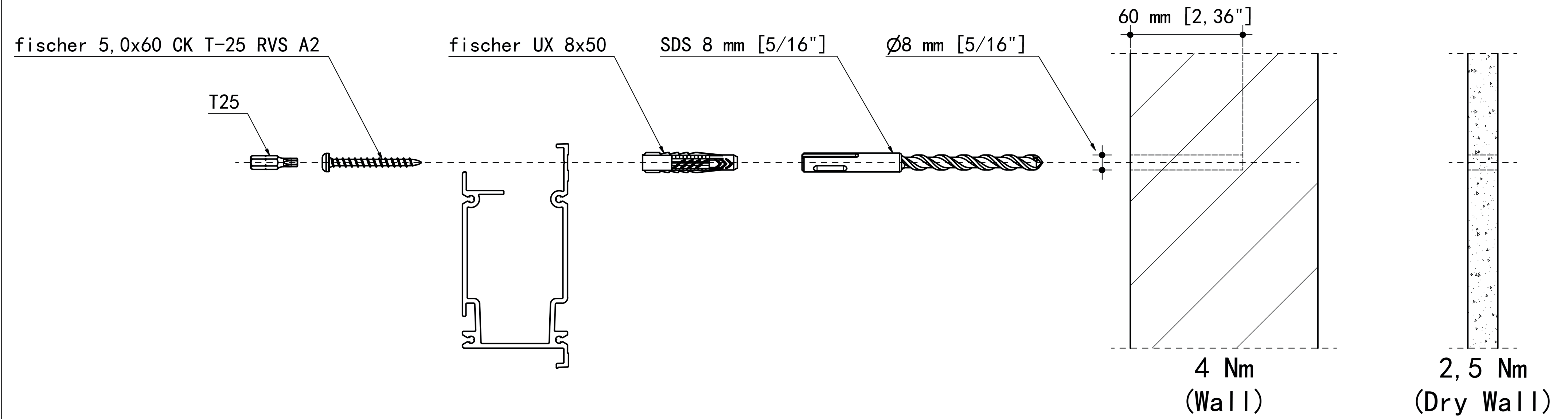


T25



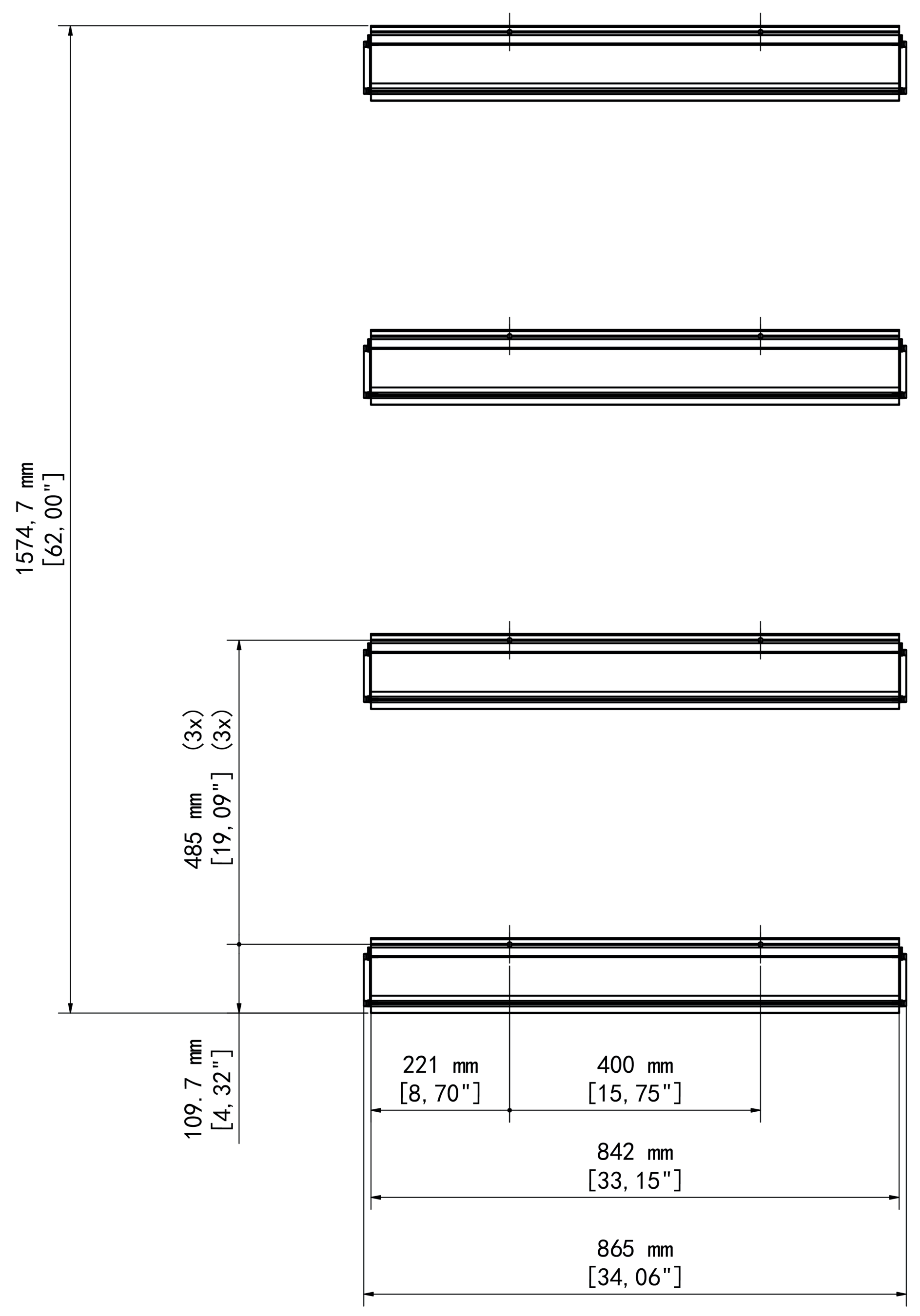
1A

USE DRILL PATTERN (1B)

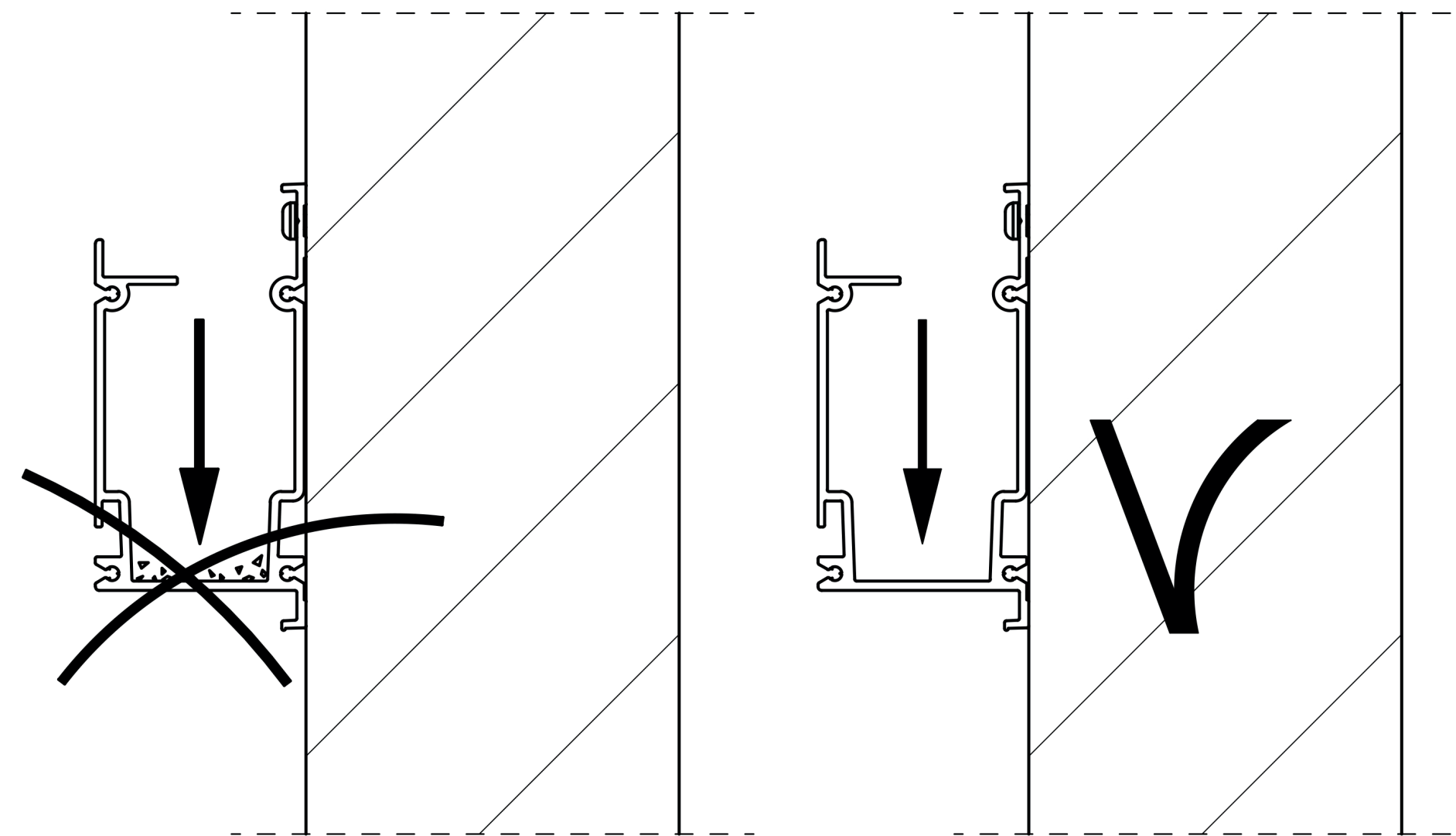
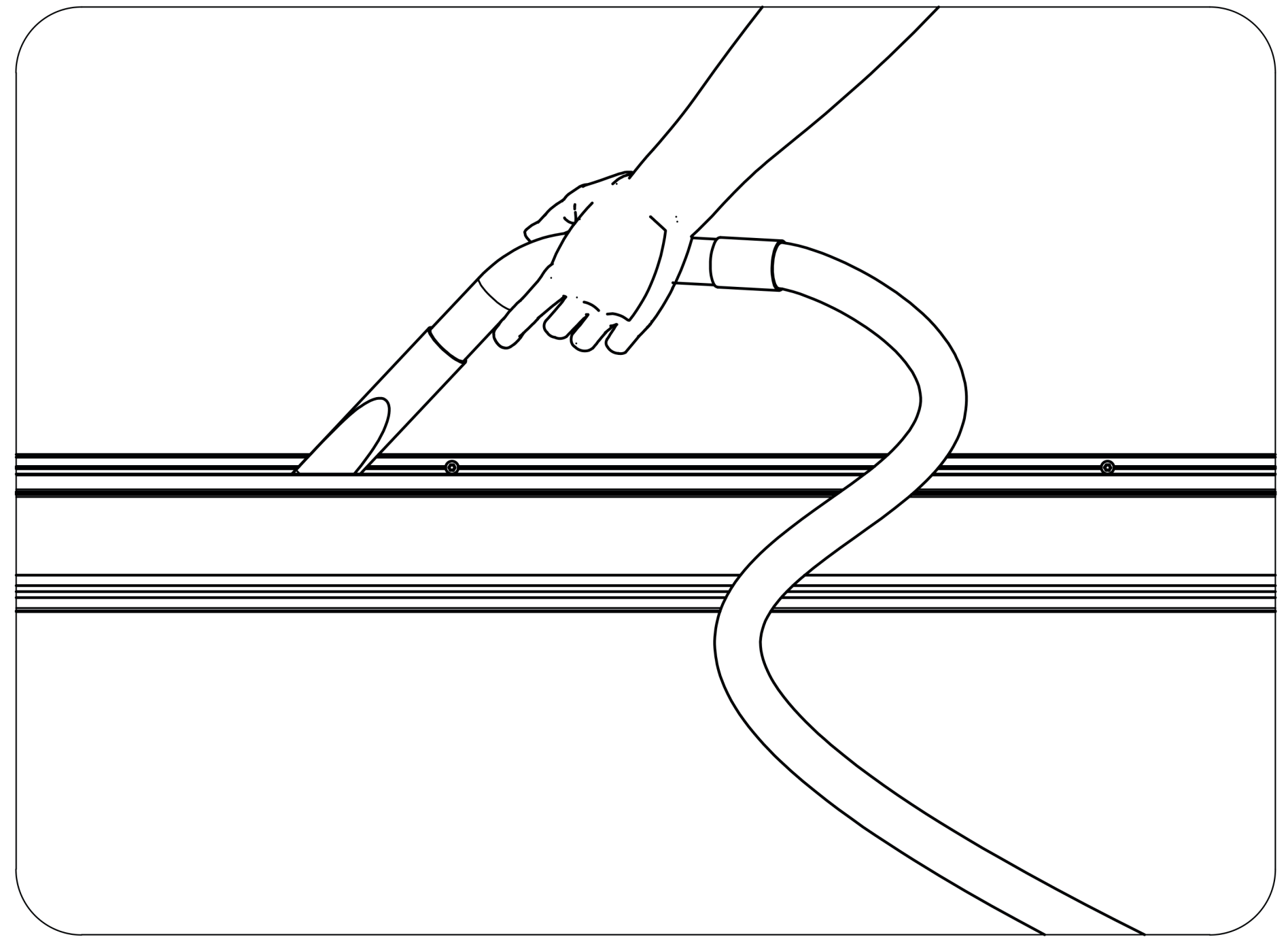
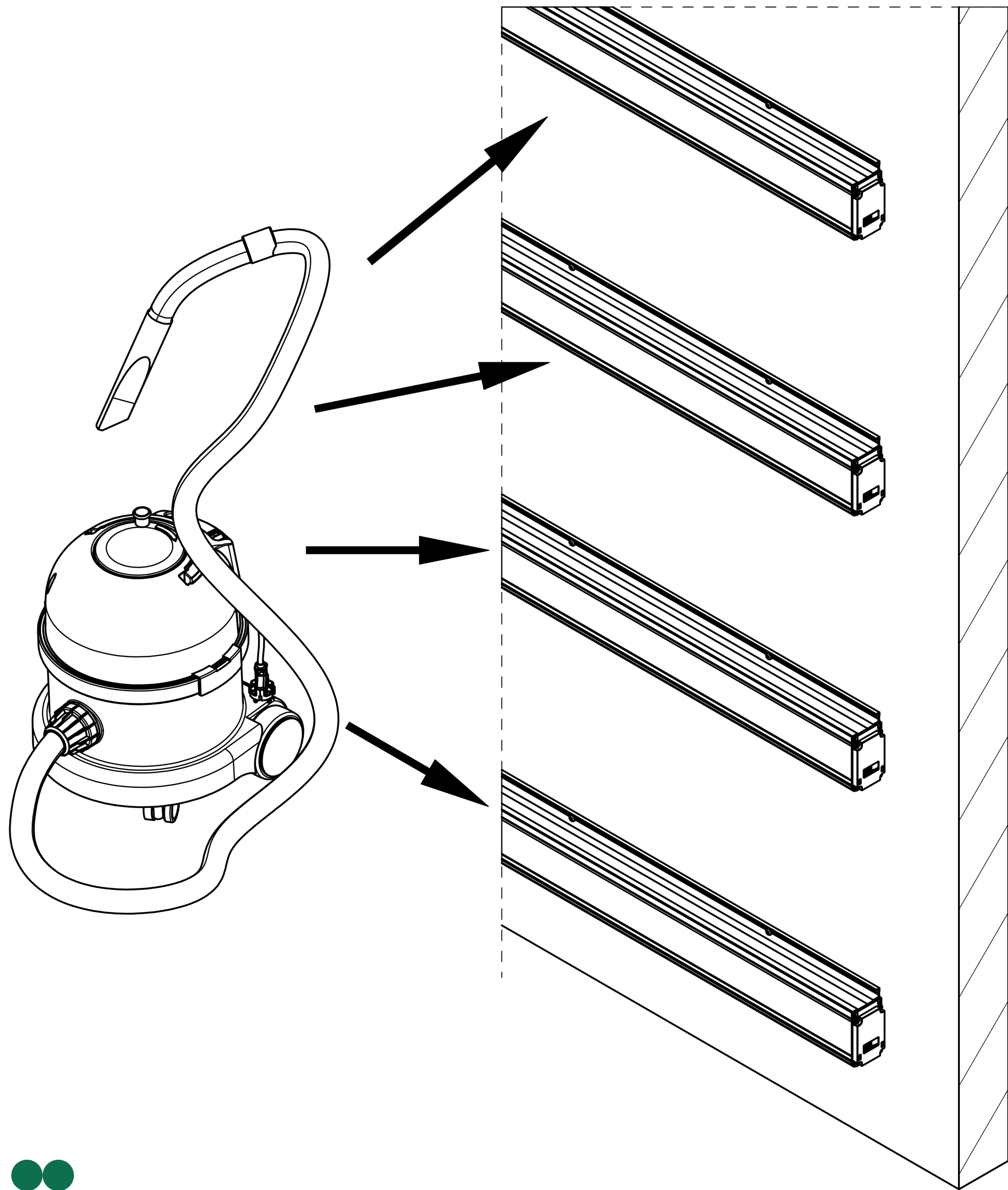


1B

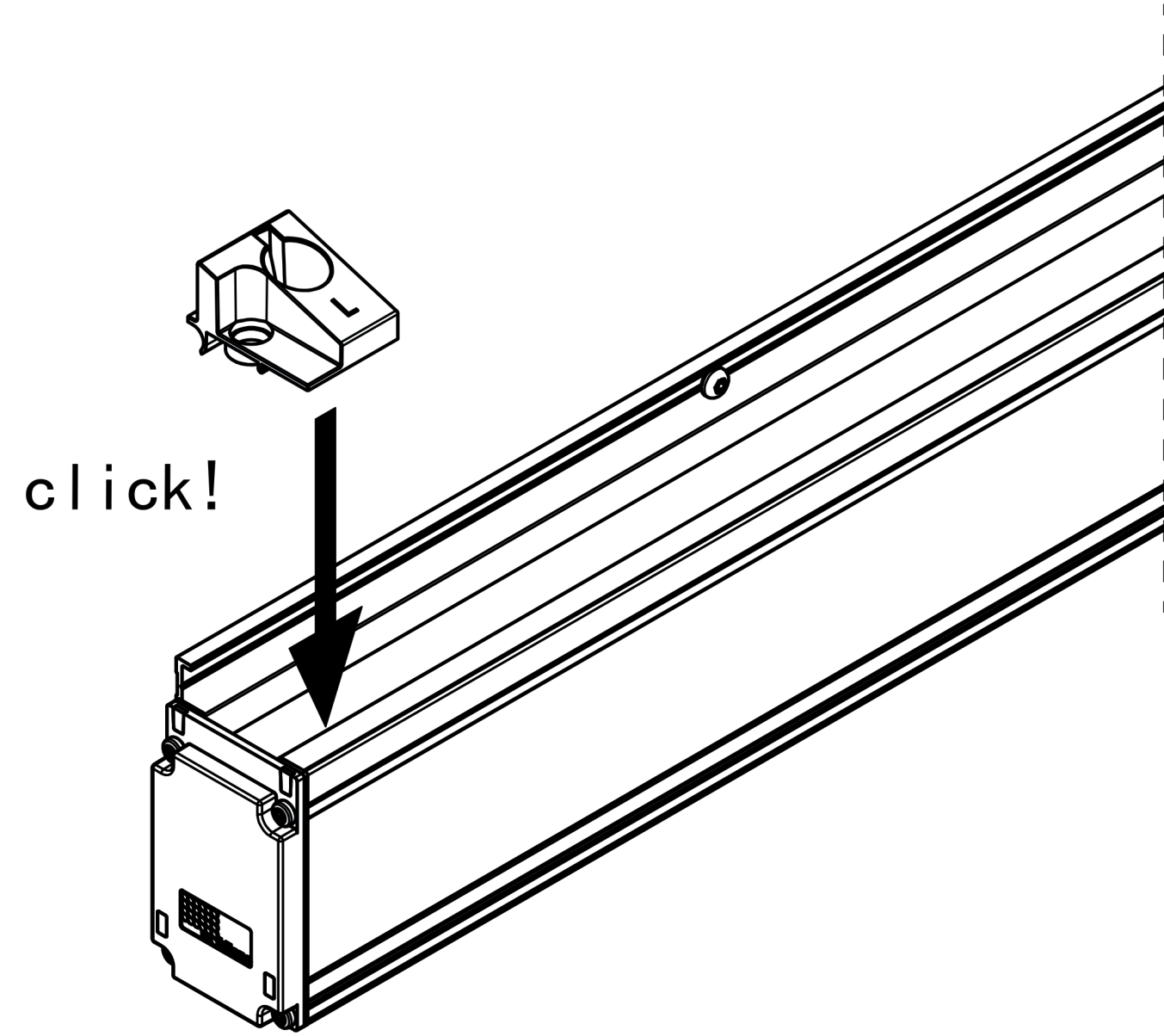
DRILL PATTERN



2



3A



CHOOSE

3A: "LEFT" OR 3B: "RIGHT"

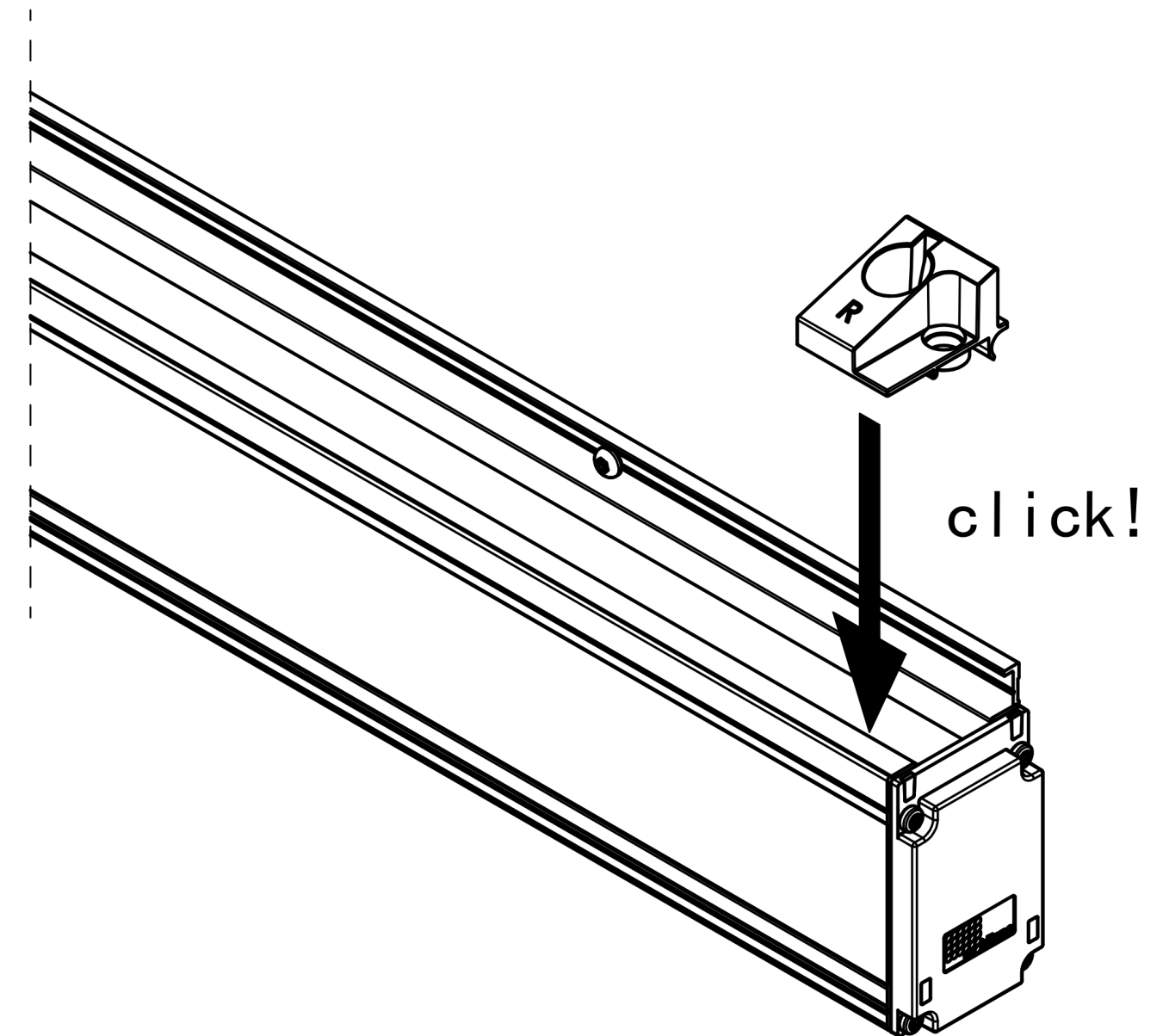
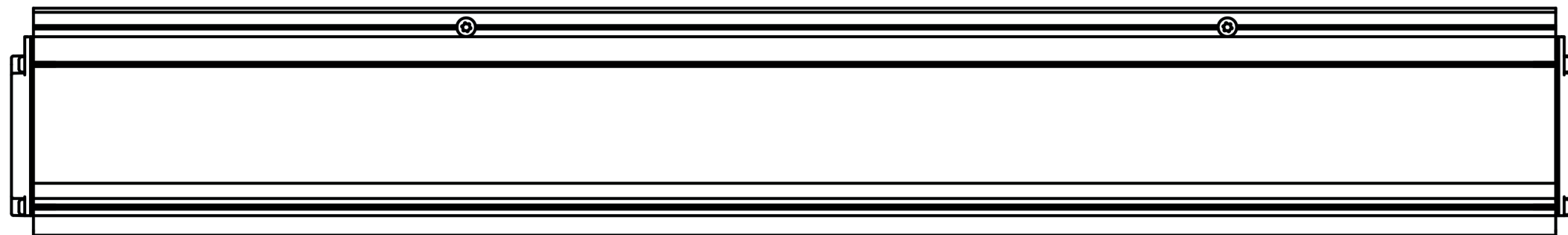


3B

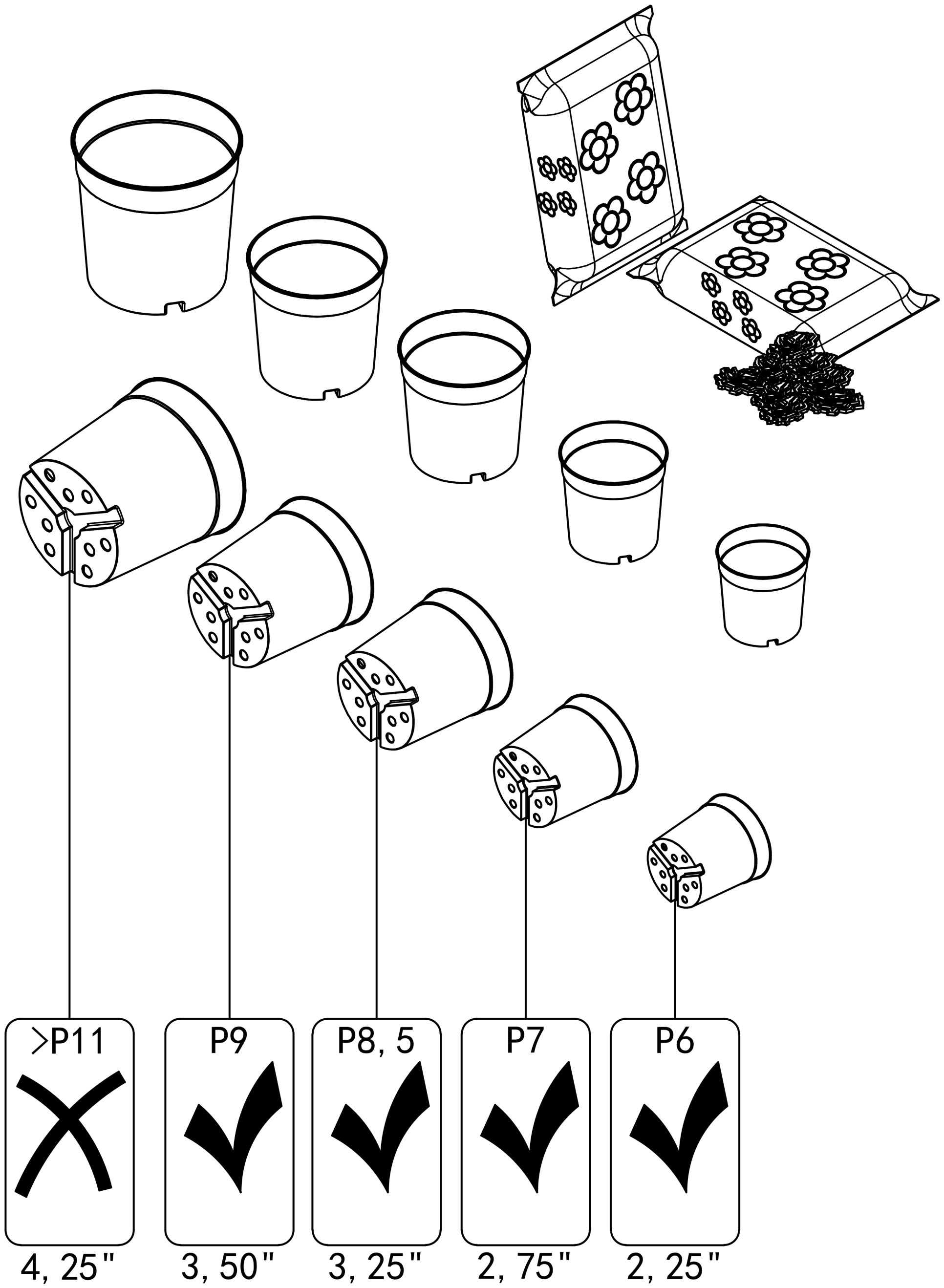
"Right"

"Right"

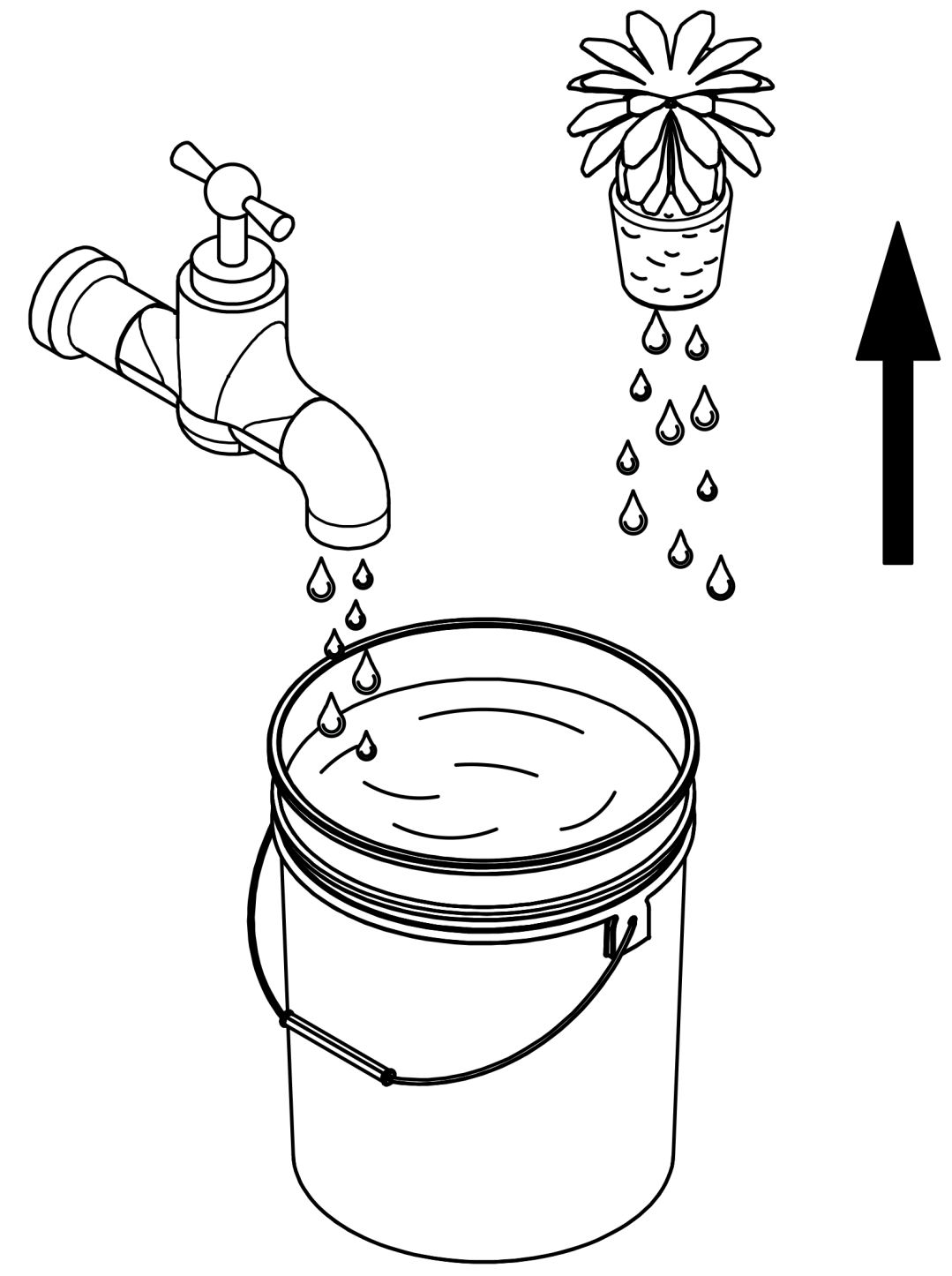
A top-down view of the track with the component inserted into the right end. An arrow points from the word "Right" to the component.



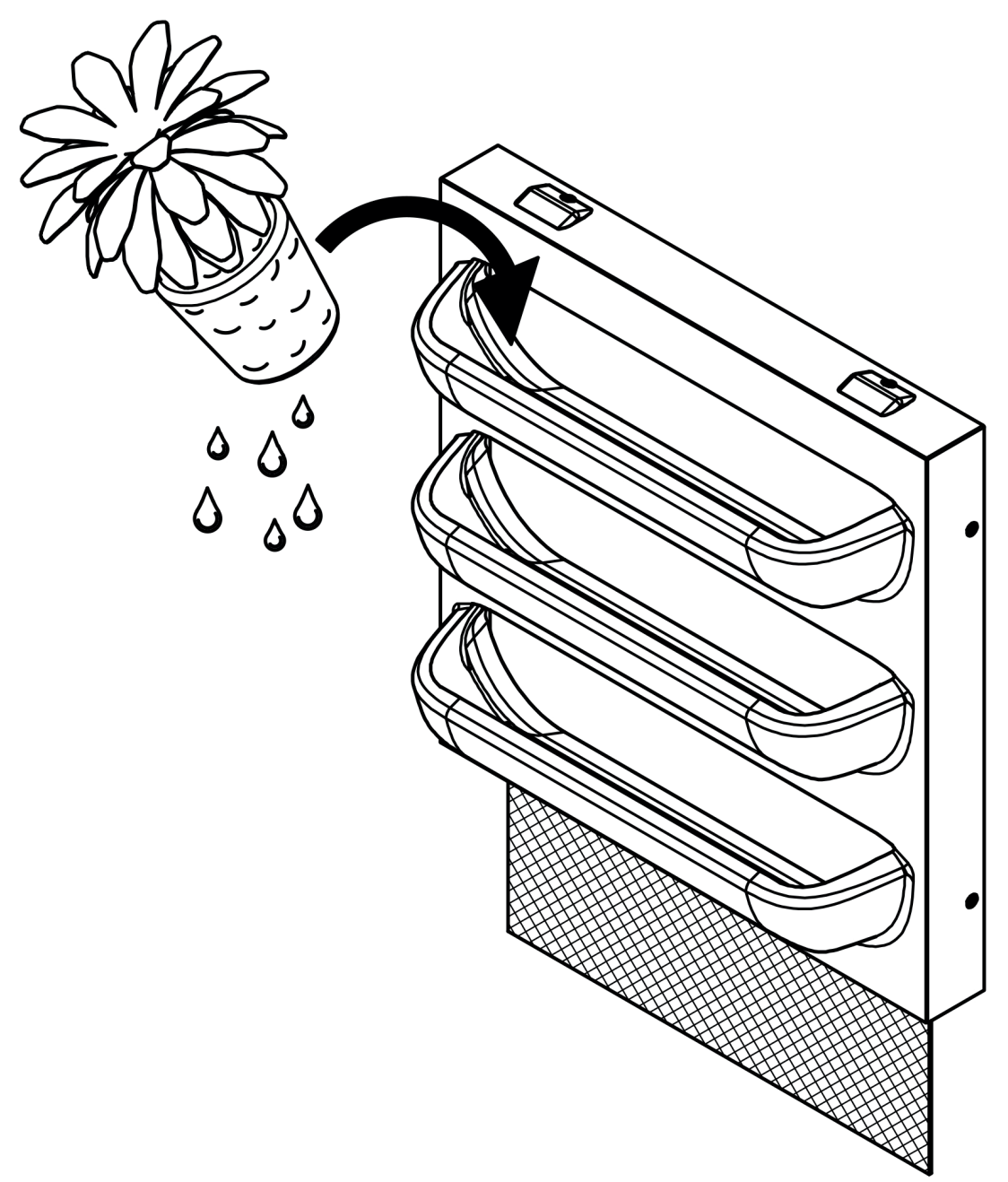
4A



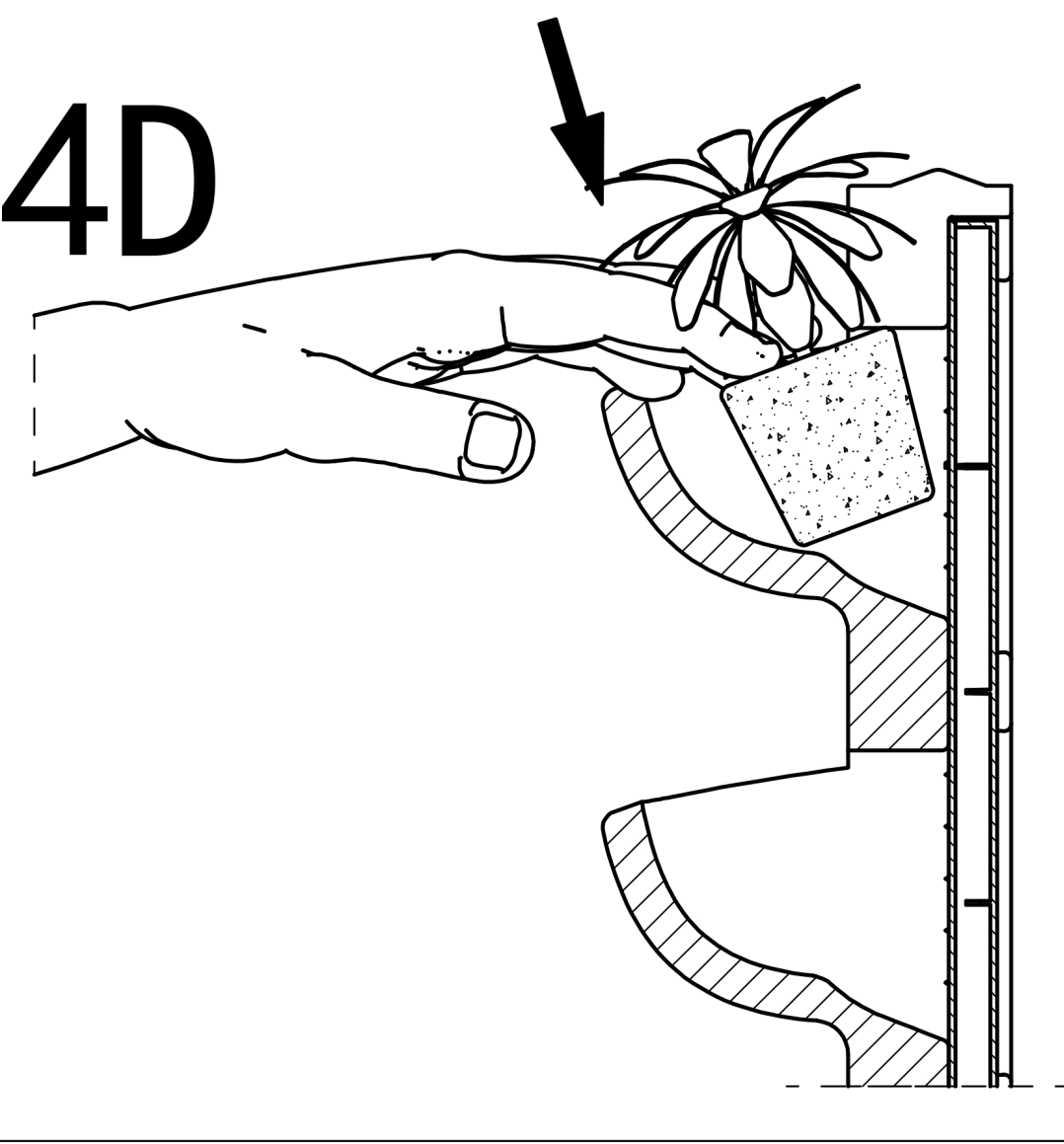
4B



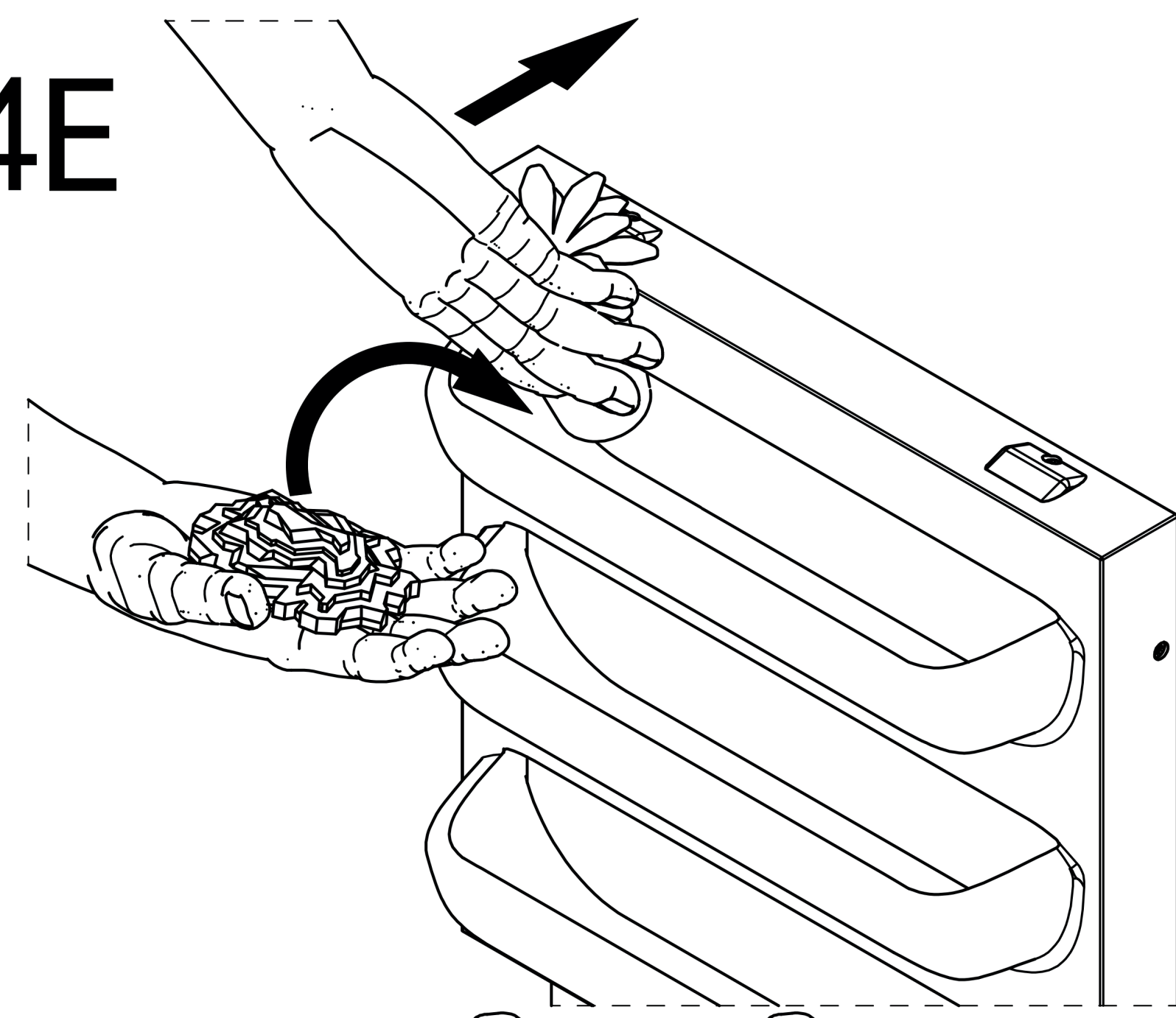
4C



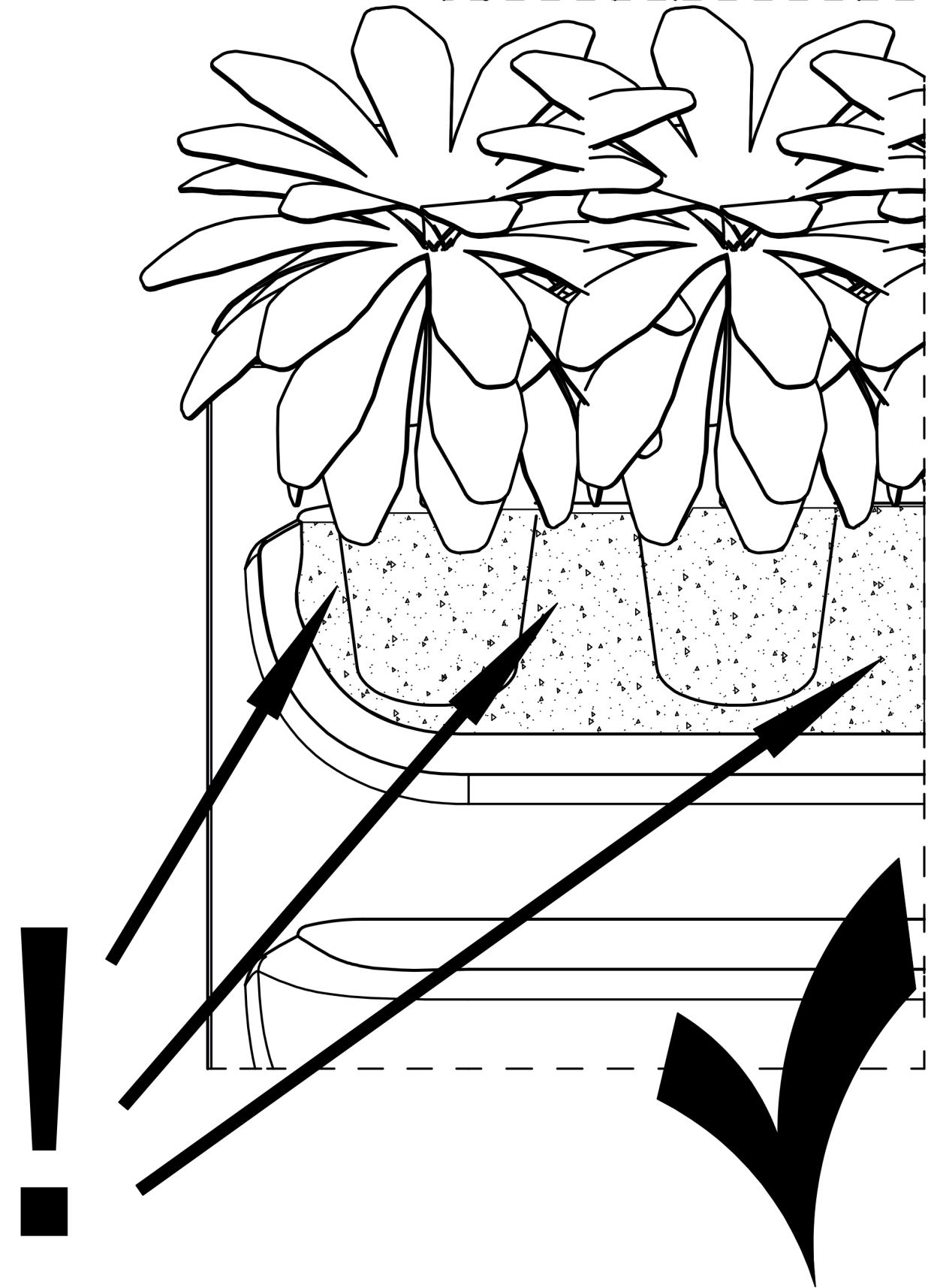
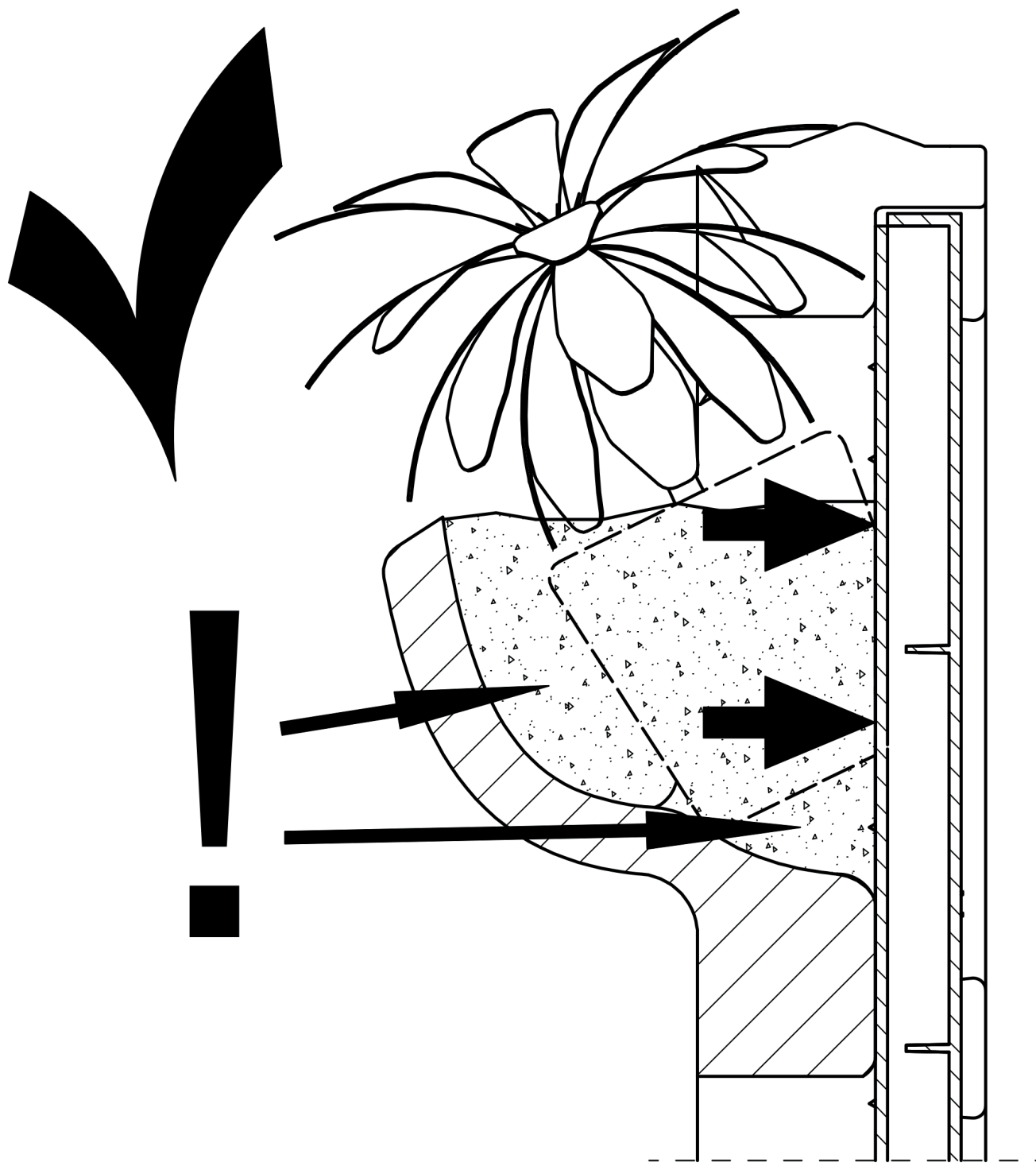
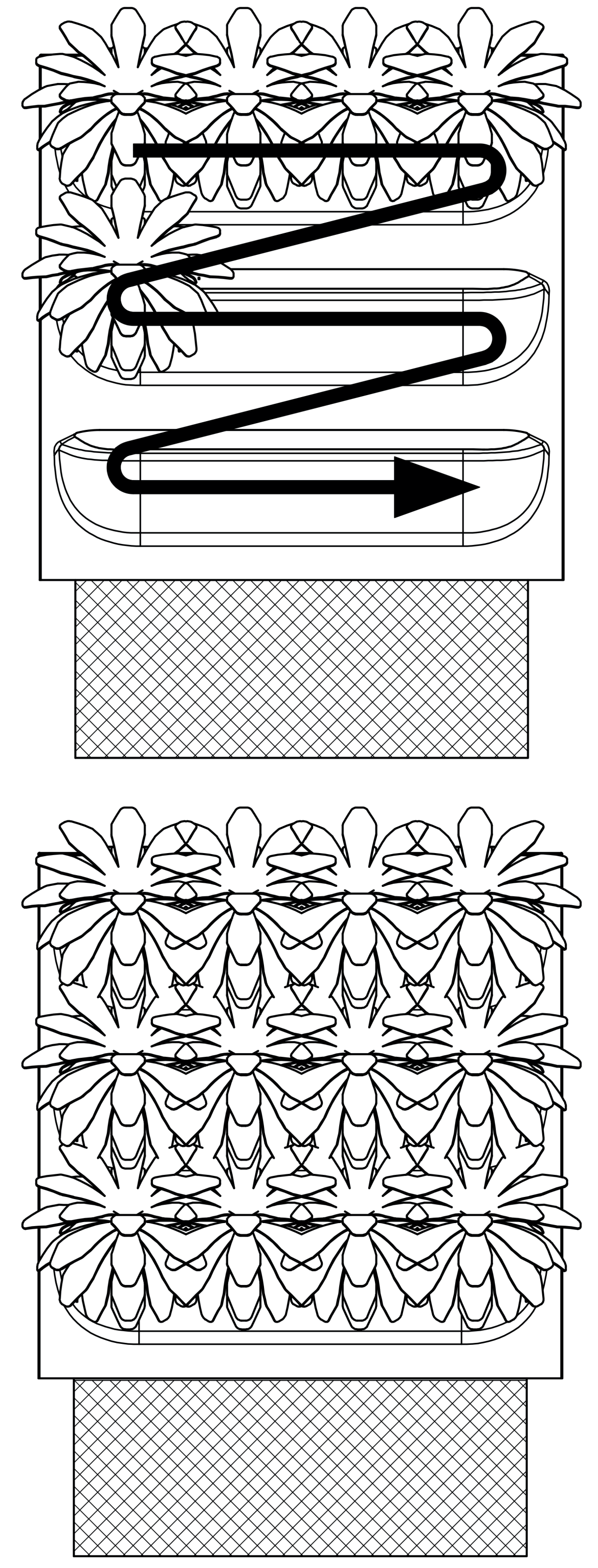
4D



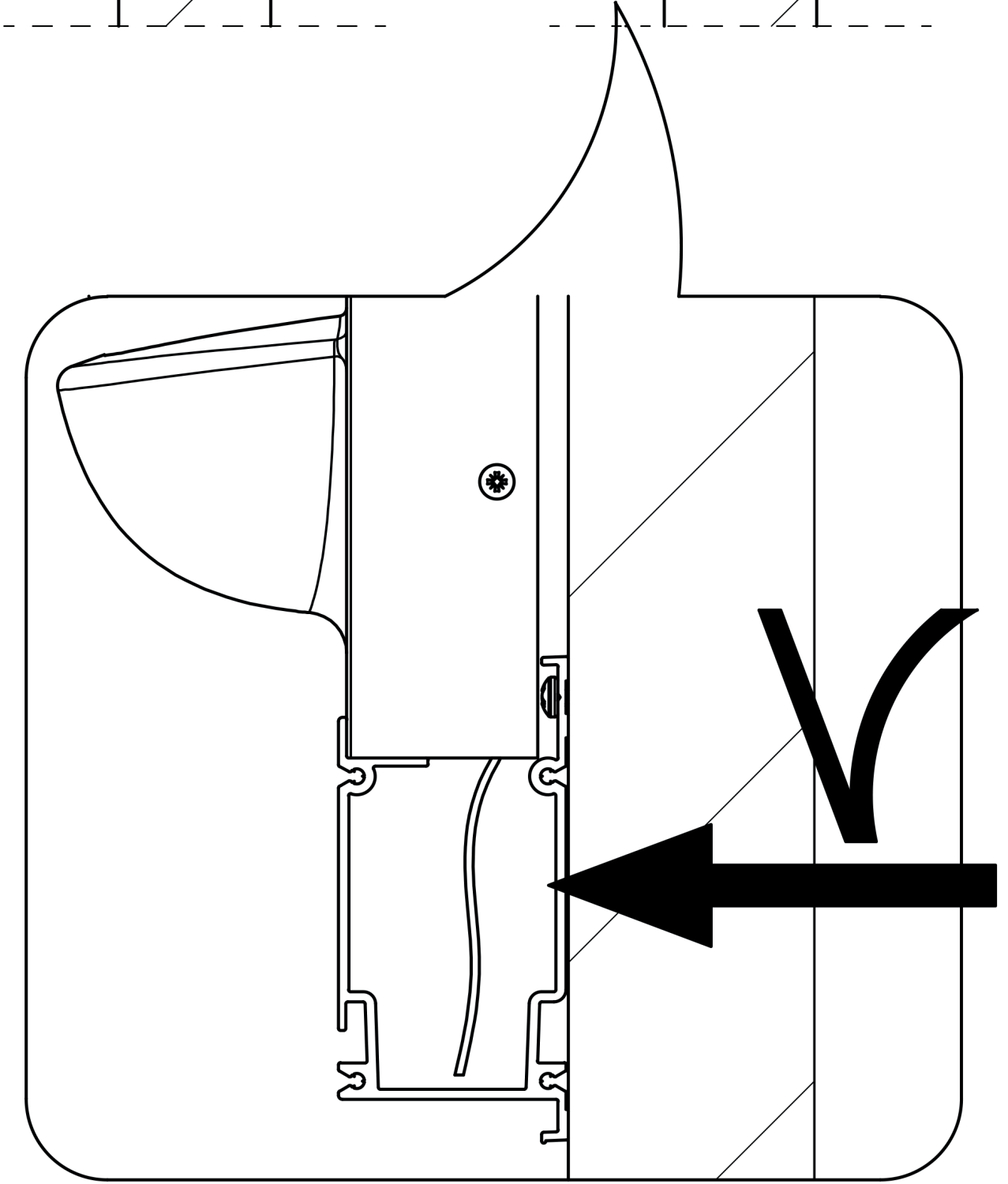
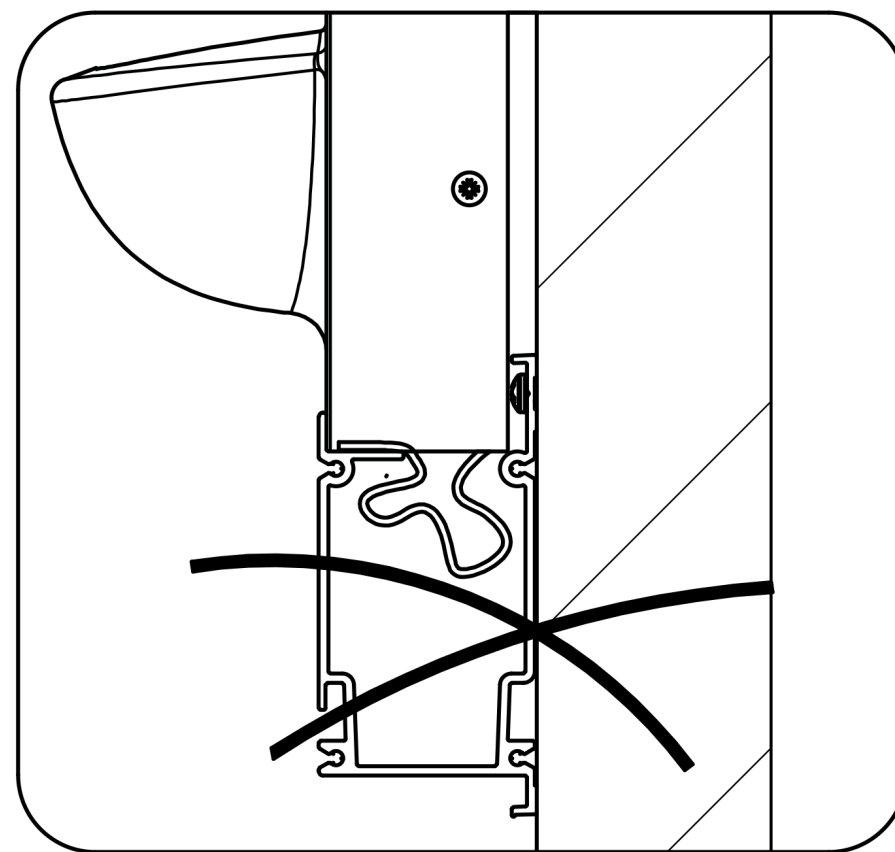
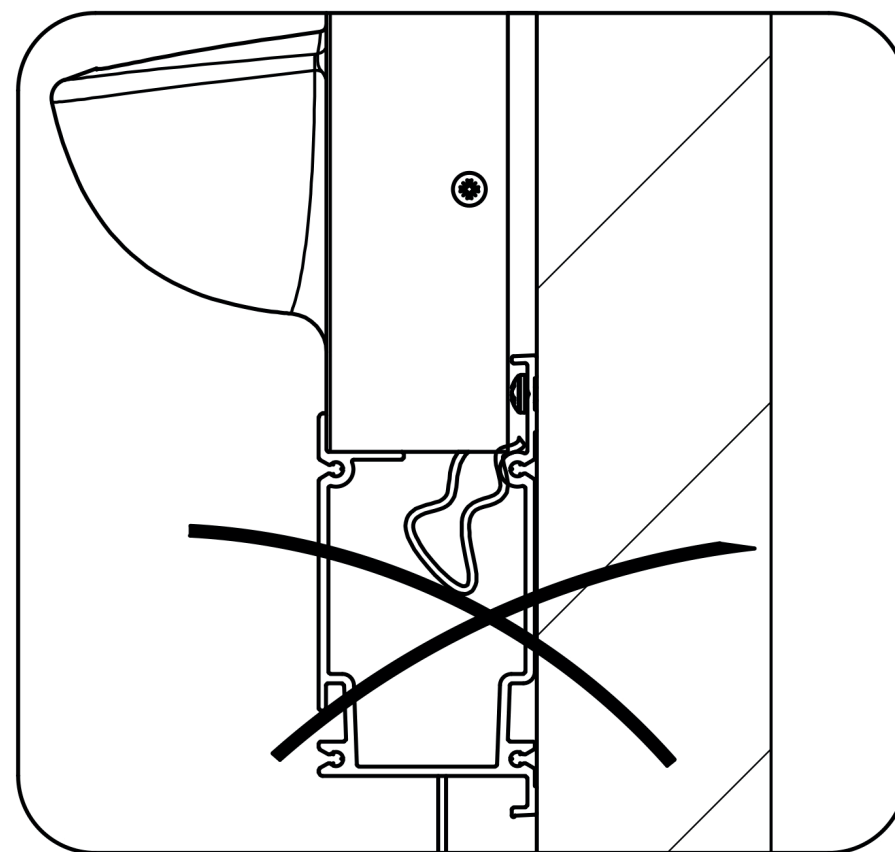
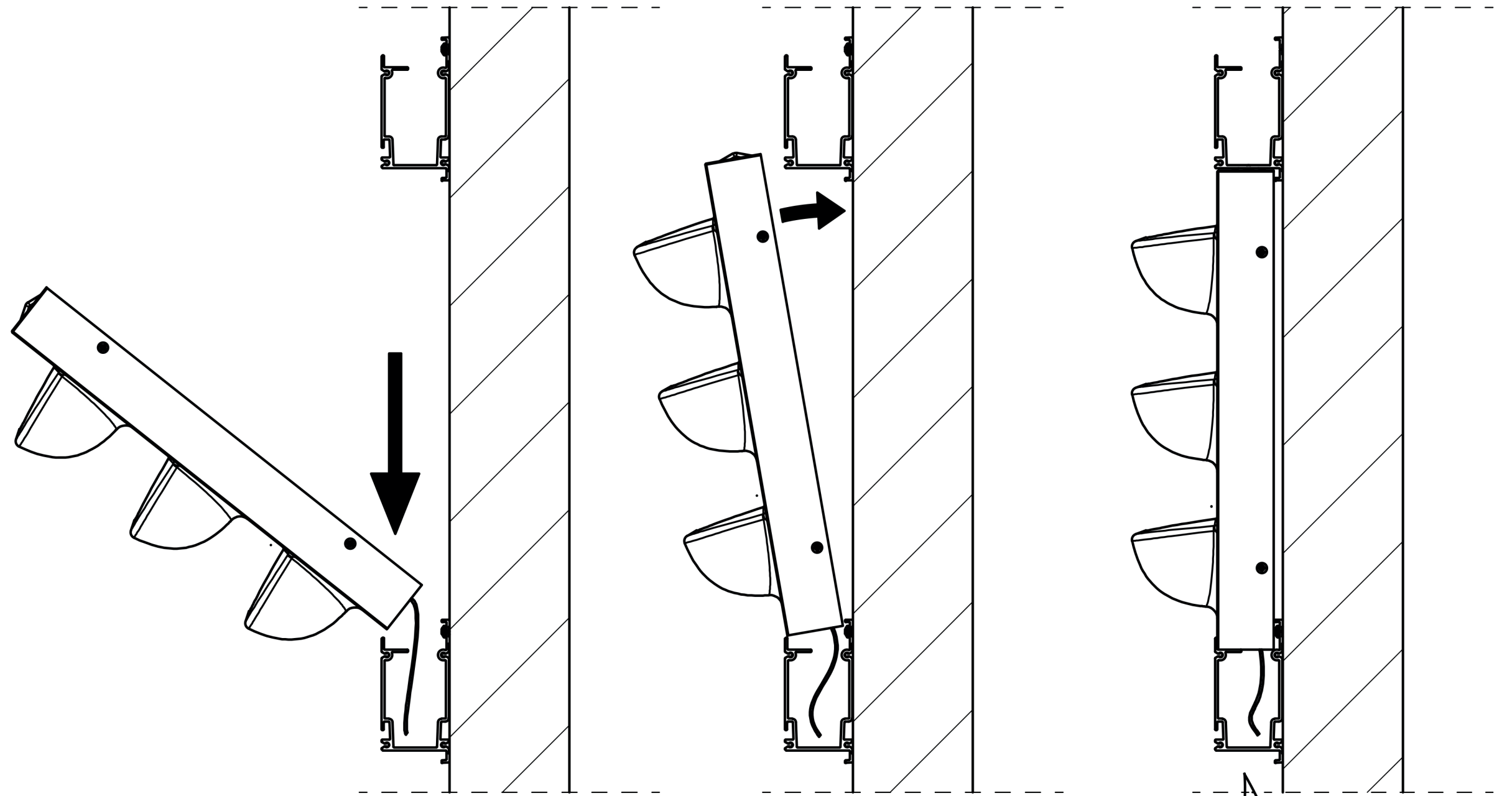
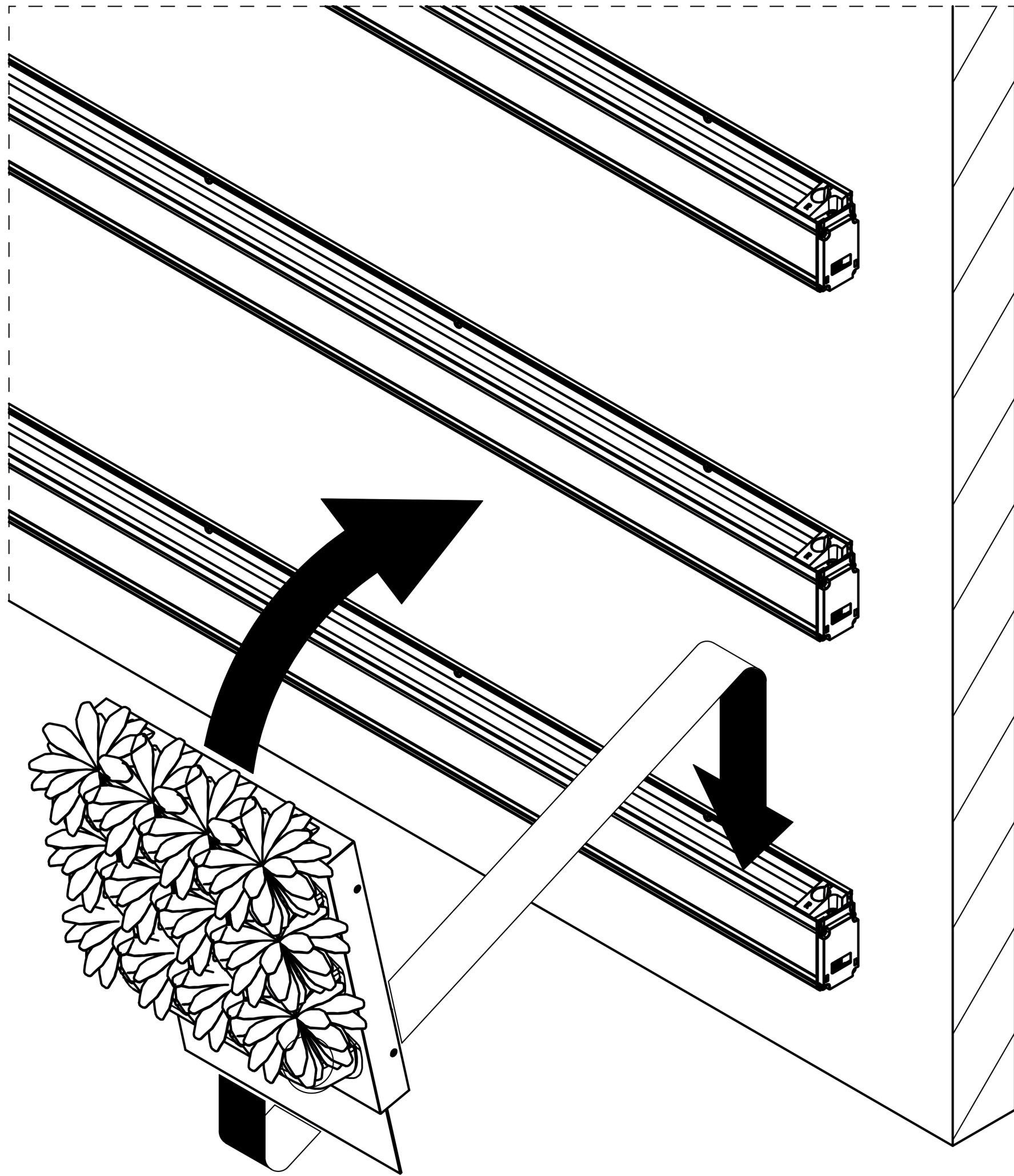
4E



4F



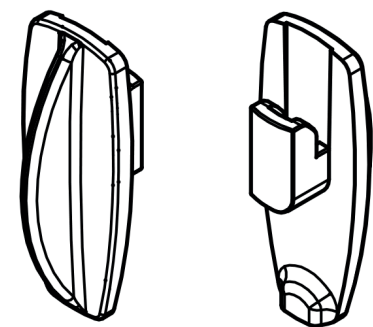
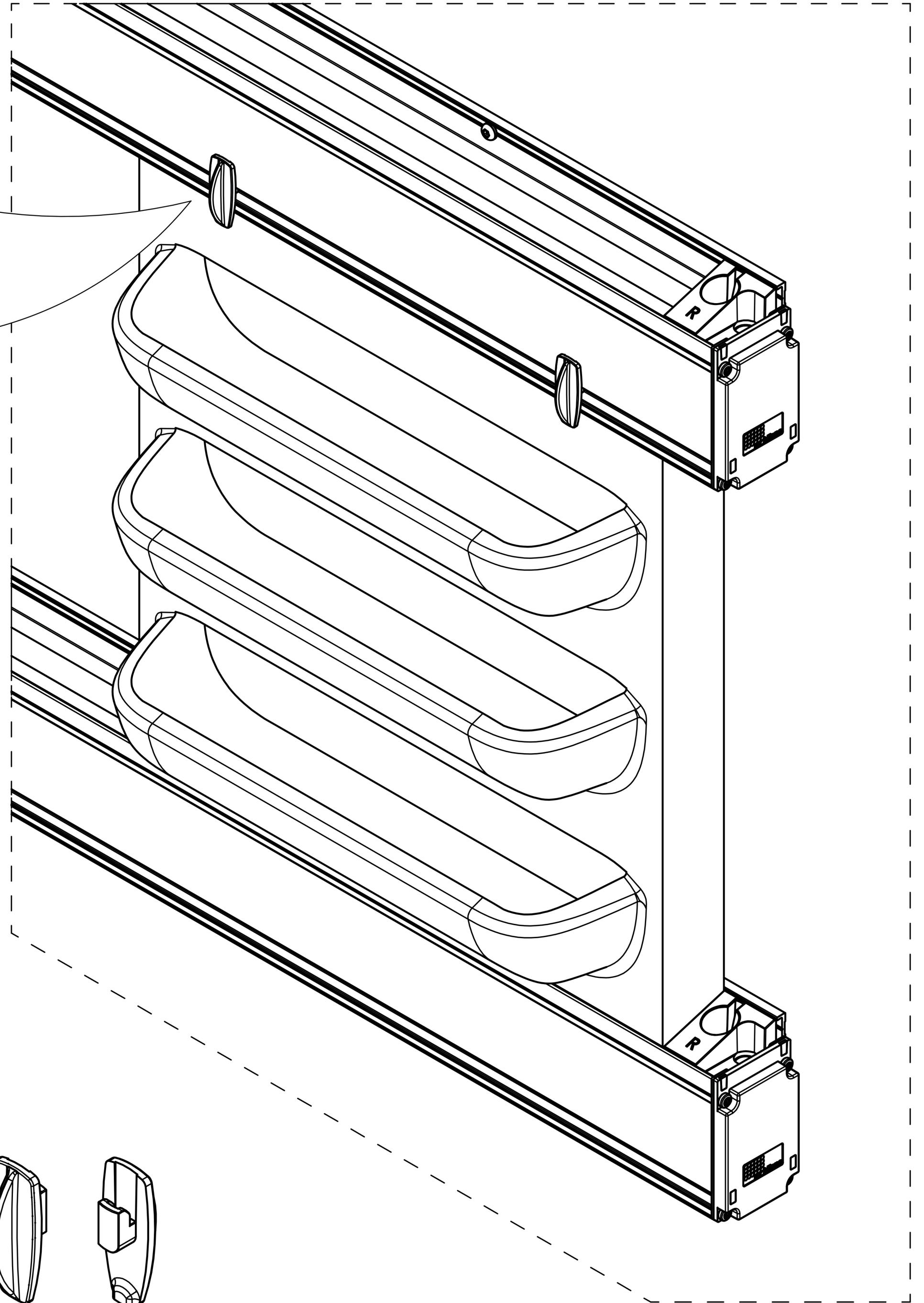
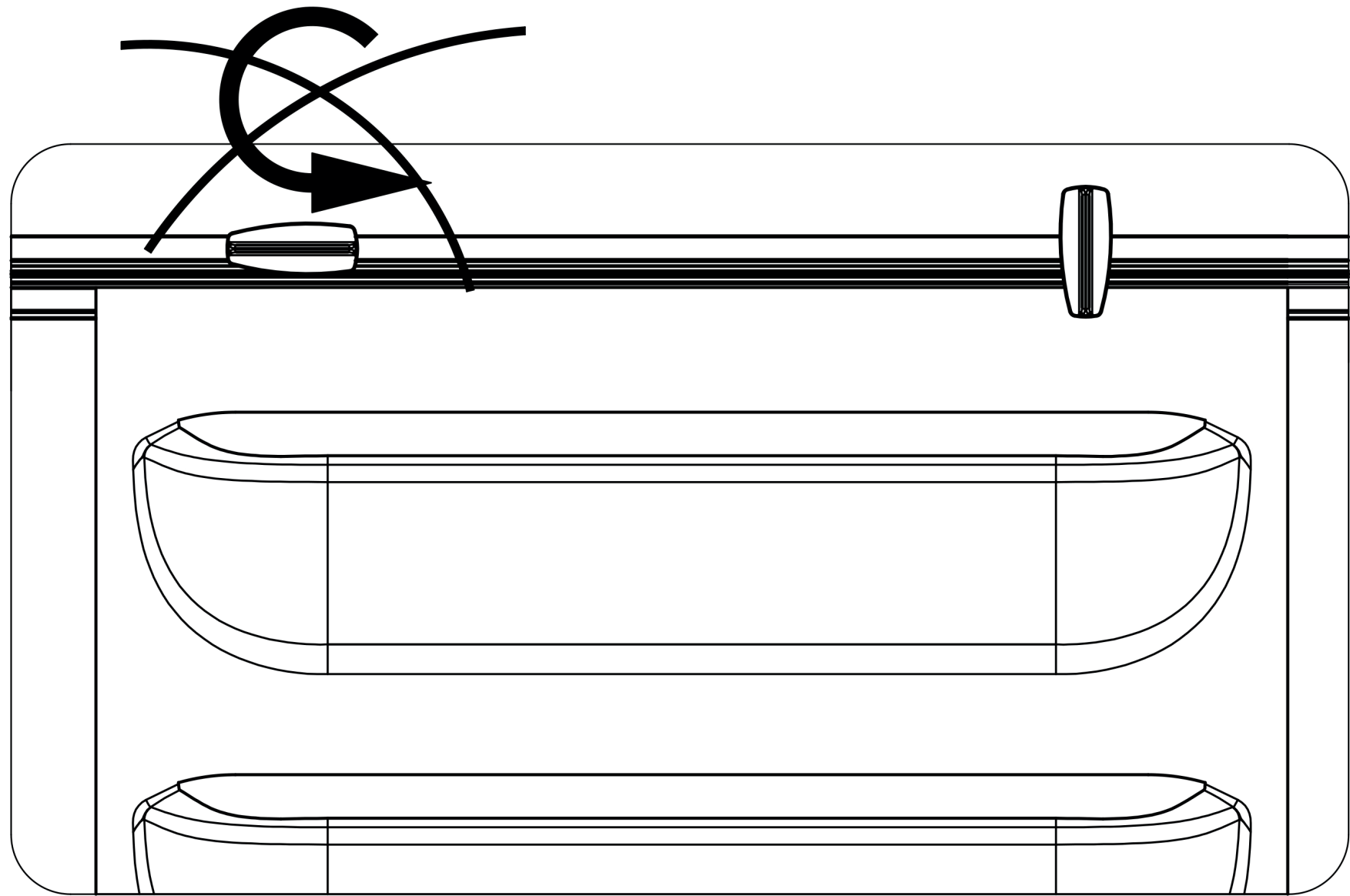
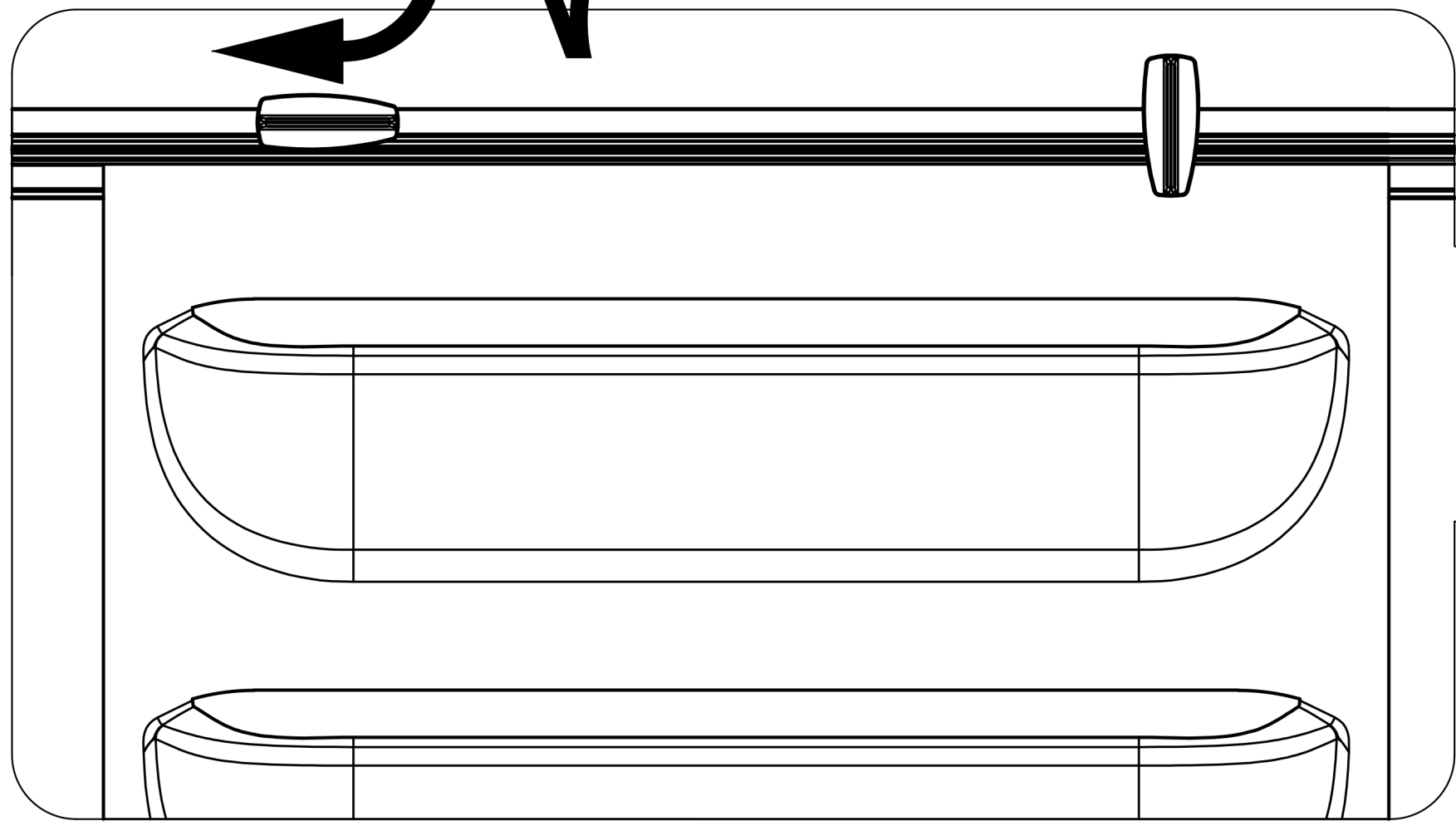
5



CHECK!

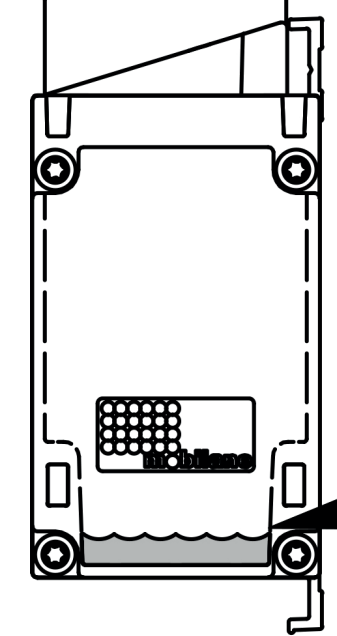
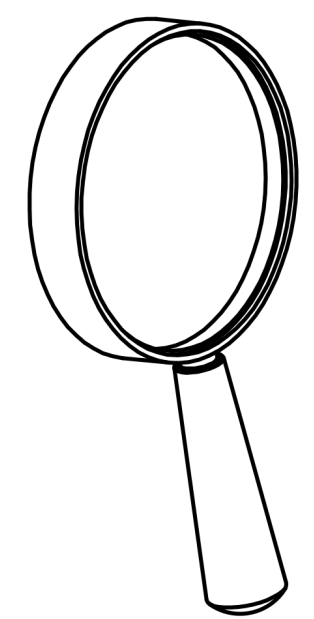
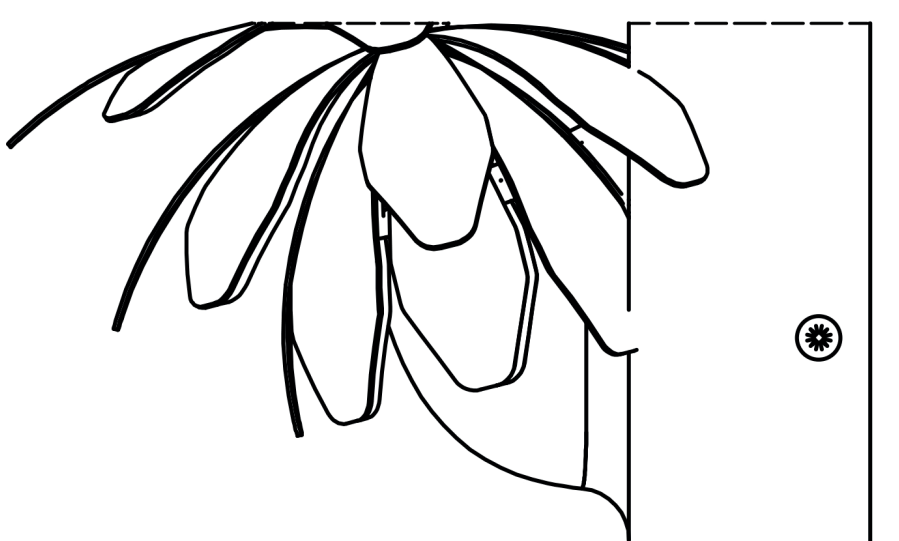
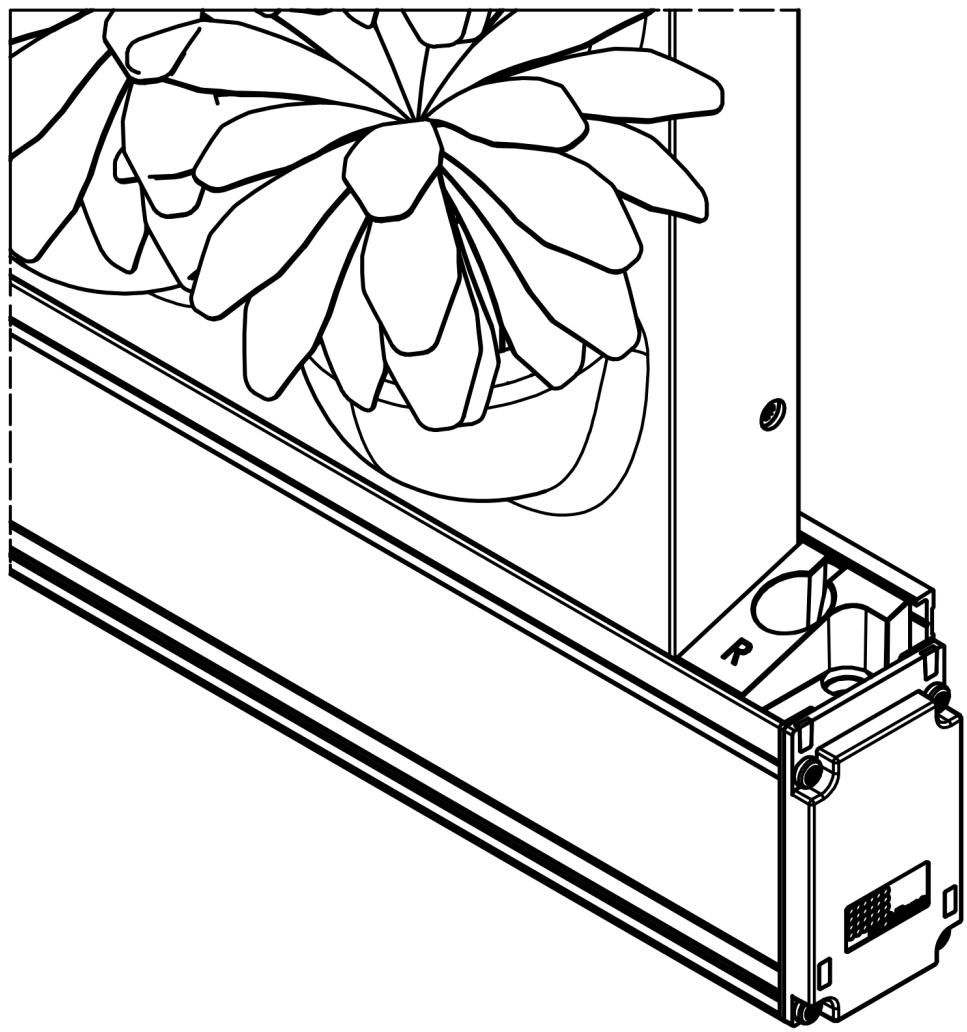
6

click!

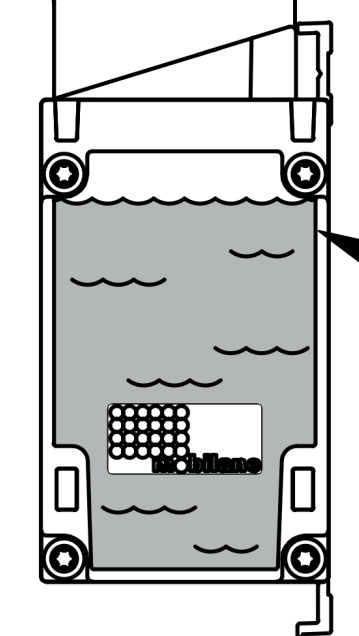
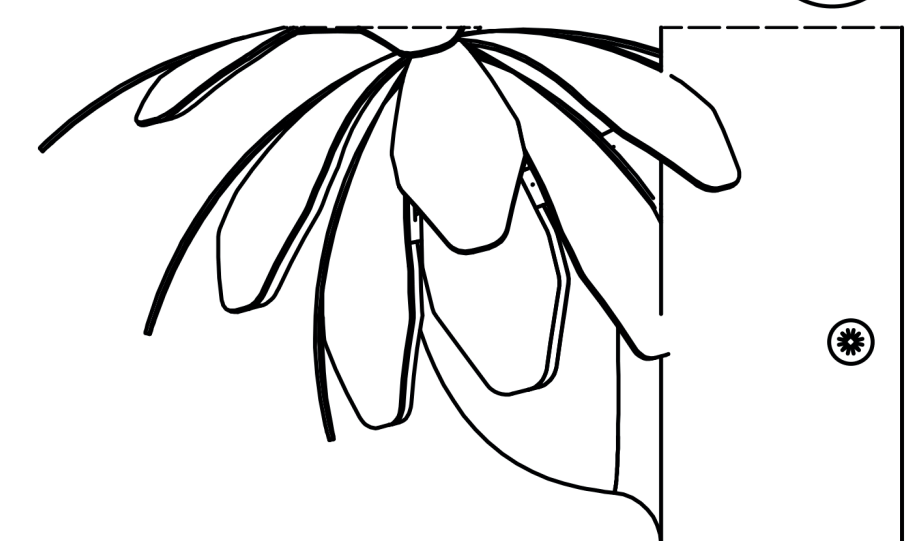
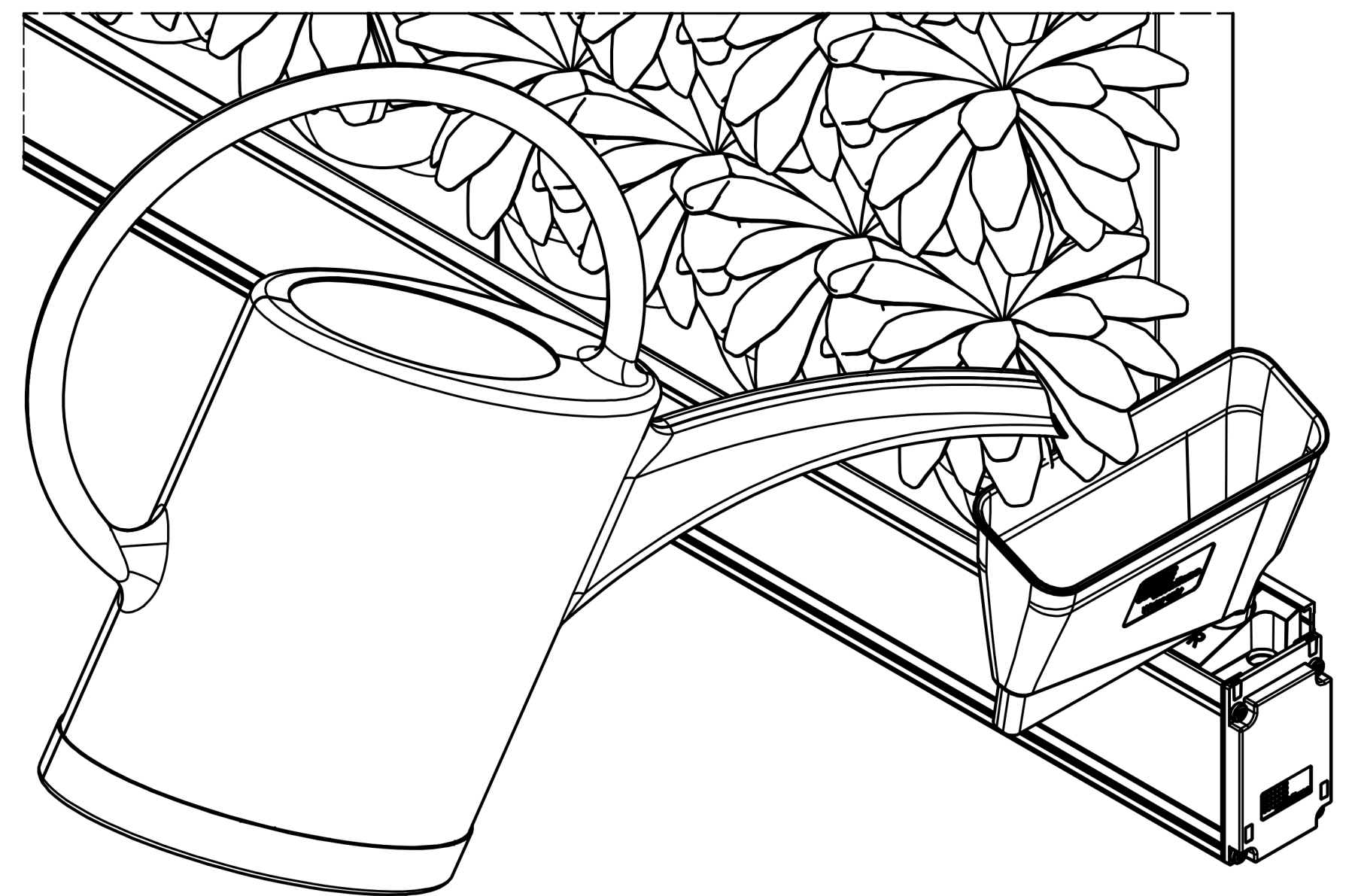
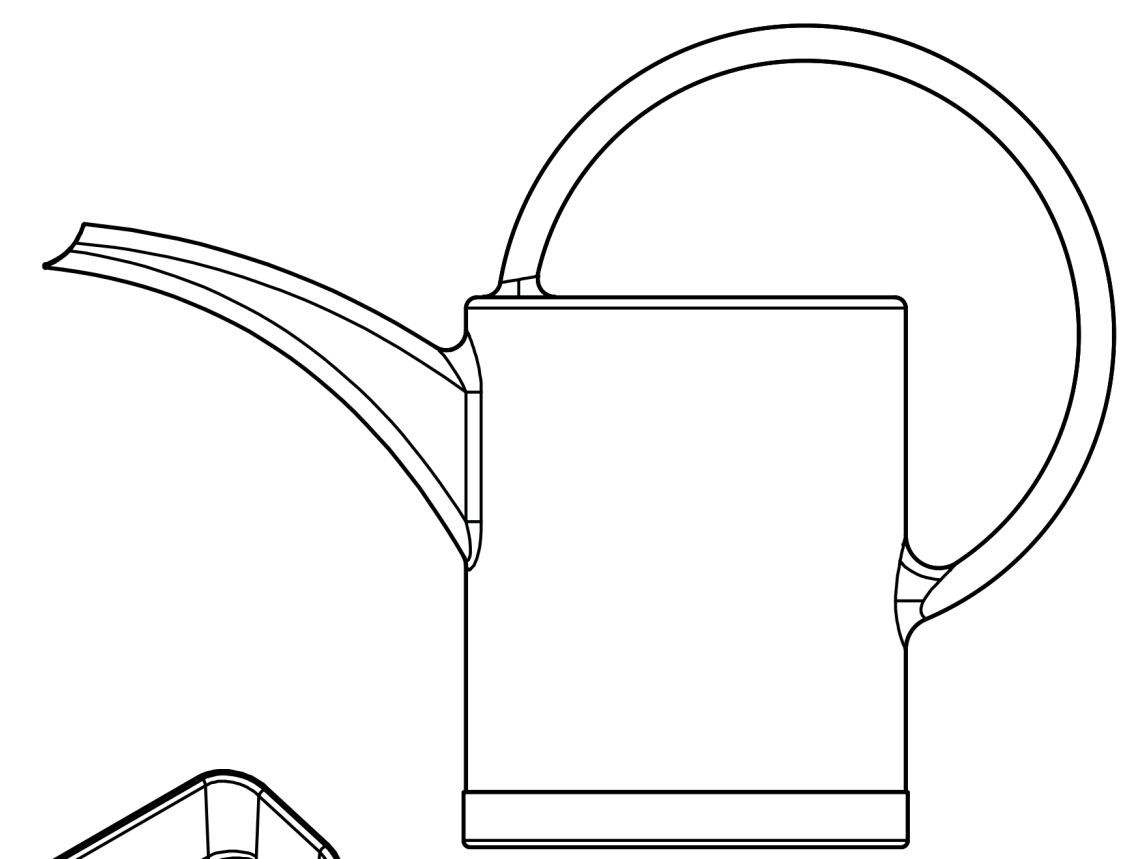
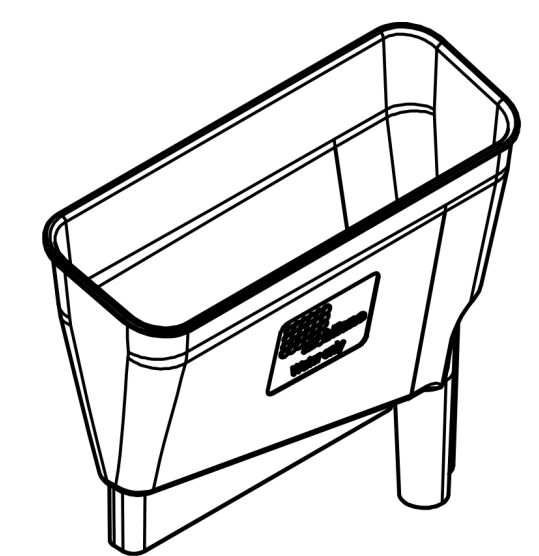
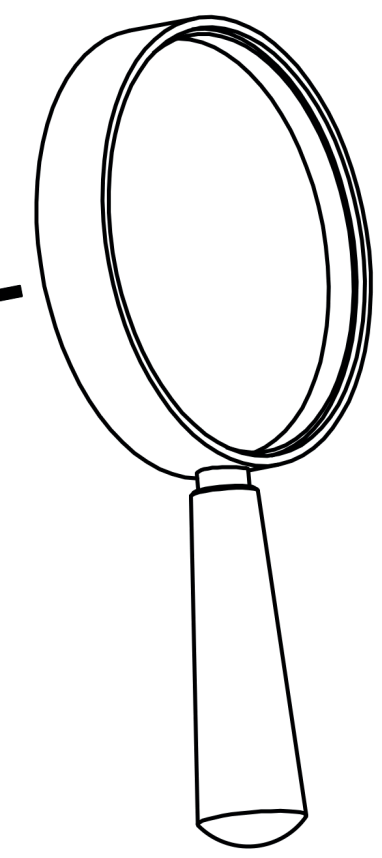


2x

7



! = Fill



! =

