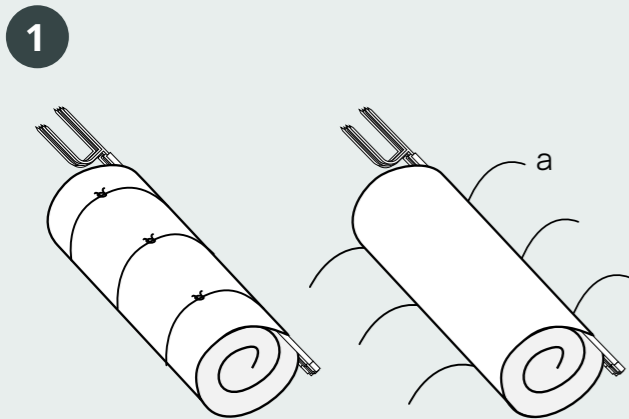
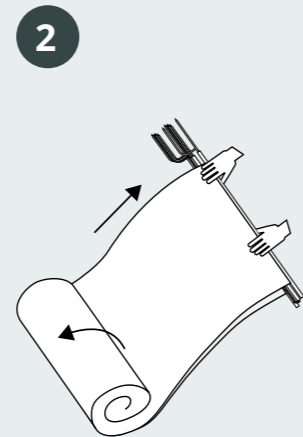


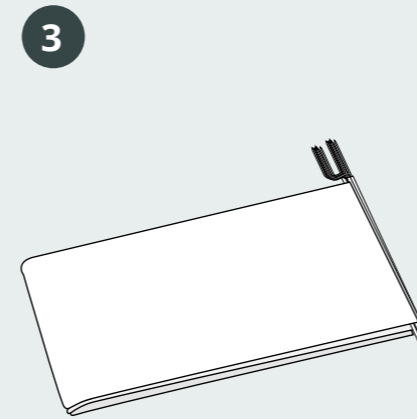
INSTALLATION INSTRUCTIONS



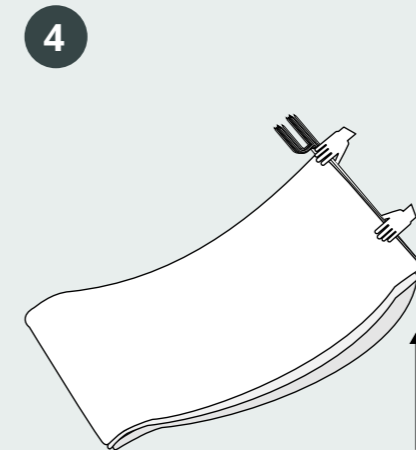
Step 1
Lay the net on the ground and loosen the straps (a). Please do not throw these bands away!



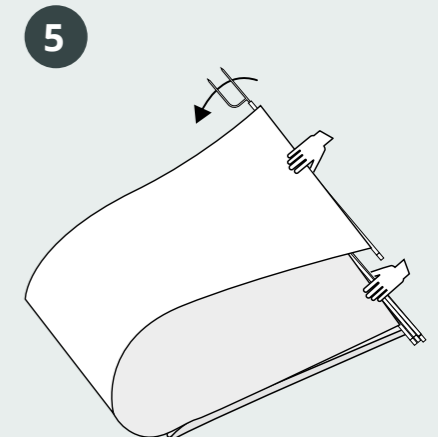
Step 2
Unroll the net, holding the posts side firmly in your hand.



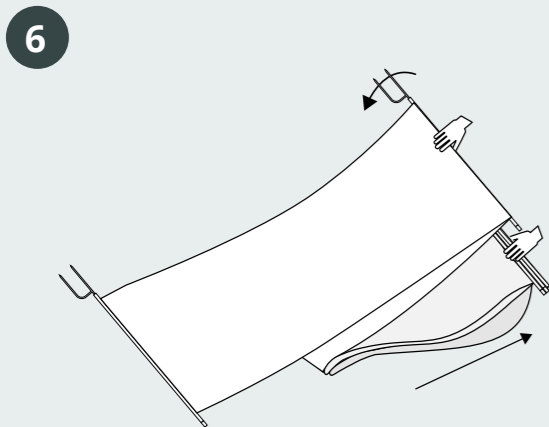
Step 3
Lay the rolled-up mesh flat on the floor.



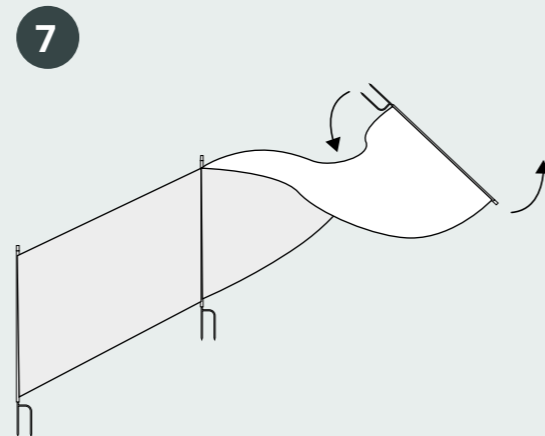
Step 4
Lift up the posts.



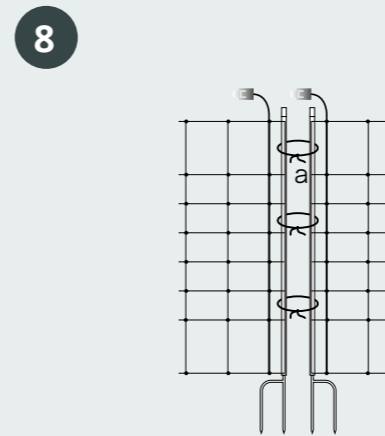
Step 5
Take the first post and place it on the ground.



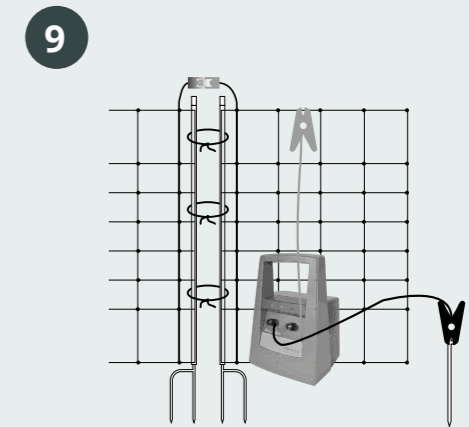
Step 6
While walking, unfold the net, placing all posts on the ground one after the other.



Step 7
Once laid out as desired, lift up and place all posts in the ground.



Step 8
When you form a closed circle, connect the start and end posts with the straps (a). Also connect the two metal clips together.



Step 9
For the best performance, connect the fence connection cable of the fence energiser to the metal clip. But it can also be attached to any part of the netting on the top strand.