

# FISHIN' BUDDY® MAX & FISHIN' BUDDY® MAX DI INSTALLATION GUIDE

532418-2\_A

## OVERVIEW

Following are instructions for the installation of the Fishin' Buddy MAX and Fishin' Buddy MAX DI. We encourage you to read this guide before starting the installation, so you may understand the installation requirements.

**SUPPLIES:** In addition to the hardware supplied with your control head, you will need eight (8) AA alkaline batteries, a Phillips-head screwdriver, and a flat-head screwdriver. If you plan to permanently mount the Fishin' Buddy MAX to your boat, you will also need four (4) #10 wood screws or bolts, a marker or pencil, a powered hand drill and various drill bits, safety glasses and dust mask, and marine-grade silicone sealant (see *Attach the Fishin' Buddy MAX Mounting Clamp to the Boat* for more information).

**WARNING!** Remove the Fishin' Buddy MAX from the mounting clamp when the boat is traveling. Do NOT travel at high speeds with the Fishin' Buddy MAX installed as it can cause damage. Use the Fishin' Buddy MAX at trolling speed only.

**WARNING!** Do NOT attempt to power the Fishin' Buddy MAX from the boat's power supply. This can result in permanent damage to your Fishin' Buddy MAX. Humminbird® is not responsible for over-voltage or over-current failures.

**NOTE:** The procedures and features described in this guide are subject to change without notice. This guide was written in English and may have been translated to another language. Humminbird is not responsible for incorrect translations or discrepancies between documents.

**NOTE:** The illustrations in this guide may not look the same as your product, but your unit will function in the same way.

## INSTALLATION OVERVIEW

The Fishin' Buddy MAX installation requires the following main assembly tasks:

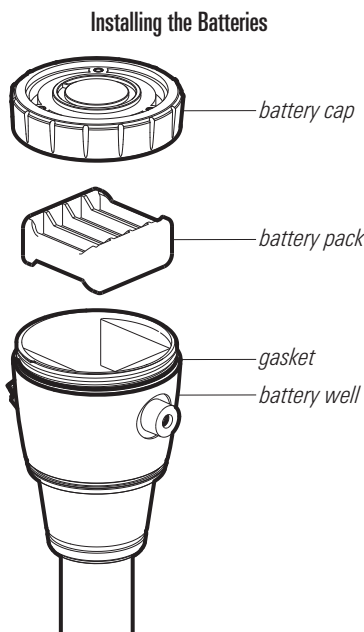
- Insert the Batteries in the Battery Well
- Attach the Control Head Mounting Bracket to the Fishin' Buddy MAX Shaft
- Install the Control Head
- Connect the Cables to the Control Head
- Attach the Fishin' Buddy MAX Mounting Clamp to the Transom
- Mount the Fishin' Buddy MAX

### 1. Insert the Batteries in the Battery Well

The Fishin' Buddy MAX requires eight alkaline AA batteries (not included).

**CAUTION!** Always remove discharged batteries promptly and before periods of storage to prevent potential damage due to battery acid leakage. Failure to do so may void your warranty.

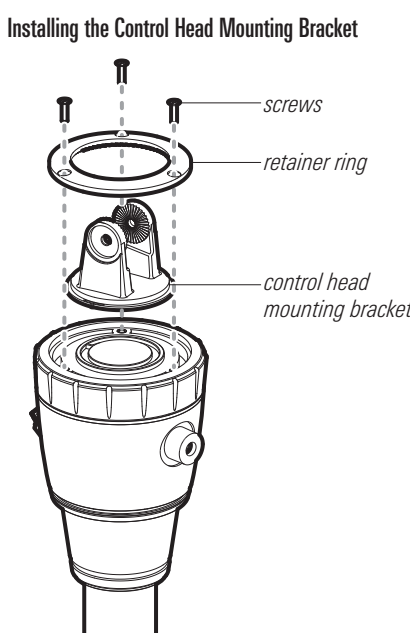
1. Turn the battery cap counterclockwise and remove it from the battery well.
  2. Gently lift the battery pack out of the battery well (see the illustration *Installing the Batteries*).
- NOTE:** Do NOT remove the foam insert from inside the battery well.
3. Using the diagram inside the battery pack as a guide, install the eight alkaline AA batteries (not included).
  4. Install the battery pack in the battery well. Confirm the wires are stored along the inside wall of the battery well (and not underneath the battery pack).
  5. Confirm the gasket is positioned correctly around the battery well (see the illustration *Installing the Batteries*).
  6. Install the battery cap on the battery well and turn clockwise to tighten. **Hand-tighten only!**



### 2. Attach the Control Head Mounting Bracket

After installing the batteries, use the following instructions to install the control head mounting bracket.

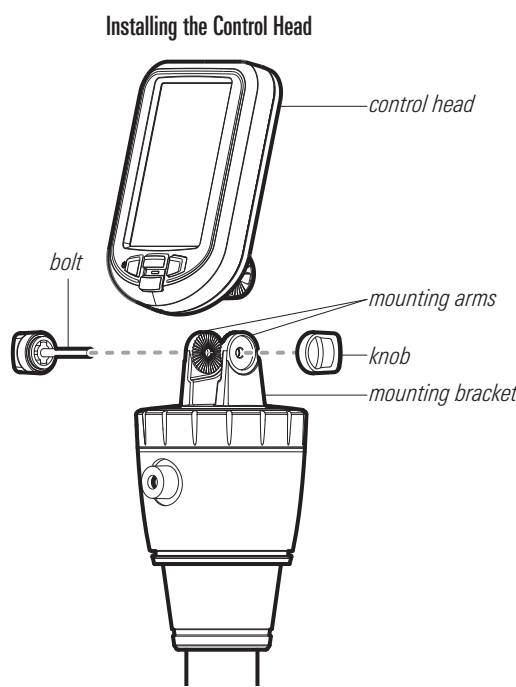
1. Set the control head mounting bracket in place on top of the battery cap.
  2. Align the three screw holes on the retainer ring with the screw holes on top of the battery cap and install the retainer ring over the control head mounting bracket. See the illustration *Installing the Control Head Mounting Bracket*.
  3. Insert the three #6 flat-head machine screws (included) into the threaded screw holes. Hand-tighten each screw just enough to hold the retainer ring in place.
- NOTE:** Do not fully tighten the screws until all three screws are in place.
4. After all three screws are installed, fully tighten each screw to secure the mounting bracket. **Hand-tighten only!**



### 3. Install the Control Head

1. Position the control head so the screen is facing the opposite side of the cables on the battery well (see the illustration *Installing the Control Head*). Rotate the control head mounting bracket, if necessary.
2. Install the control head on the mounting bracket.
3. Tilt the control head to adjust the viewing angle, as needed.
4. Once you have set the control head viewing angle, insert the included bolt through the hole on the mounting arm. Screw the mounting knob on to the end of the bolt and hand-tighten. **Hand-tighten only!**

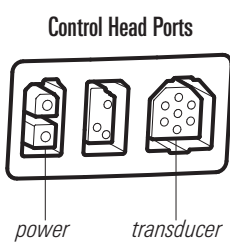
**Rotate the Control Head:** Swivel the control head on the mounting bracket by grasping the control head mounting bracket and rotating it.



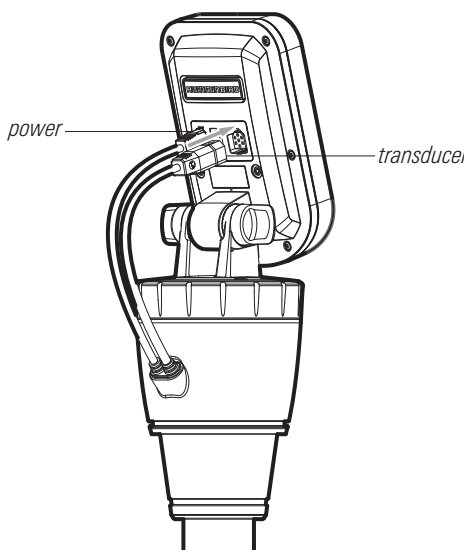
### 4. Connect the Cables to the Control Head

Use the following instructions to attach the transducer and power cables on the battery well to the keyed connectors on the back of the control head.

1. Locate the transducer and power cables on the battery well, and route the cable connectors to the rear of the control head.
2. Insert the cable connectors into the correct ports on the control head. See the illustrations *Control Head Ports* and *Connecting Cables to the Control Head*.



### Connecting Cables to the Control Head



### 5. Attach the Fishin' Buddy MAX Mounting Clamp to the Boat

Review the following installation options before proceeding with the installation:

- **Temporary Mount:** Attach the mounting clamp to the boat using the clamp feature. The clamp provides the most versatile and portable method to mount the Fishin' Buddy MAX to the transom of your boat.
- OR**
- **Permanent Mount:** Attach the mounting clamp using the permanent mounting slots to screw or bolt the mounting clamp to the boat. You will need four (4) #10 wood screws or bolts and marine-grade silicone sealant (not included).

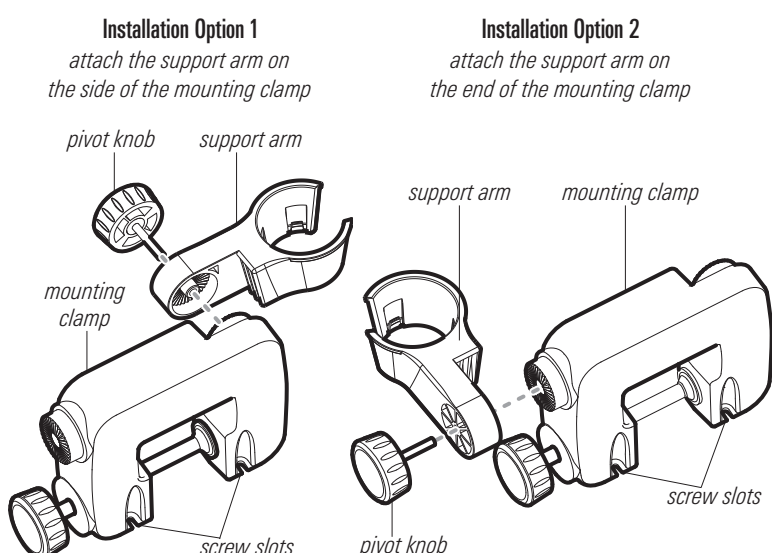
#### Determine the Mounting Location

Use the following information when considering a mounting location:

- The Fishin' Buddy MAX should be mounted where it will be visible and accessible.
- The Fishin' Buddy MAX must be mounted so that the transducer (located at the end of the Fishin' Buddy MAX shaft) is fully submerged in the water, because the sonar signal cannot pass through air.
- **Turbulence:** It is very important to locate the transducer in an area that is relatively free of turbulent water. As the boat moves through the water, turbulence is generated by the weight of the boat and the thrust of the propeller(s) - either clockwise or counterclockwise. This turbulent water is normally confined to areas immediately aft of ribs, strakes, or rows of rivets on the bottom of the boat, and in the immediate area of the propeller(s). Clockwise propellers create more turbulence on the port side. On outboard or inboard/outboard boats, it is best to locate the transducer at least 15° to the side of the propeller(s).
- **Fishin' Buddy MAX DI:** The Down Imaging® transducer must be oriented so that the pointed end of the transducer body points towards the stern (or behind the boat). The front, rounded end must point towards the bow. See *Mounting the Fishin' Buddy MAX DI* for more information.

#### Assemble the Mounting Clamp

1. Determine the assembly option for your mounting location using the illustrations below.



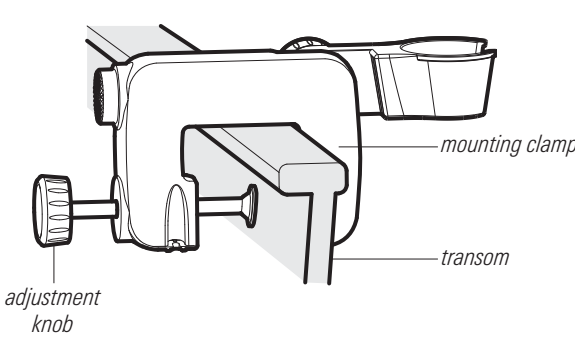
2. Align the ratcheted hole on the support arm with the ratcheted mounting location determined in step 1. See the illustrations *Mounting Option 1* and *Mounting Option 2*.
3. Thread the pivot knob through the hole in the support arm and turn clockwise to tighten (see the illustrations *Mounting Option 1* and *Mounting Option 2*). **Hand-tighten only!**

#### Attach the Mounting Clamp to the Transom

To permanently mount the Fishin' Buddy MAX to your boat, see the section *Permanently Install the Mounting Clamp*.

1. Loosen the clamp by turning the adjustment knob counterclockwise.
2. Install the mounting clamp in the chosen mounting location. Confirm it is resting on the top surface of the transom (seated as far down as possible).
3. Turn the adjustment knob clockwise to secure the mounting clamp to the transom. **Do not over-tighten!**
4. Confirm the mounting clamp is securely installed. If the clamp feels unstable after tightening, loosen the adjustment knob, reposition the clamp, and repeat step 3.

#### Attaching the Mounting Clamp to the Transom



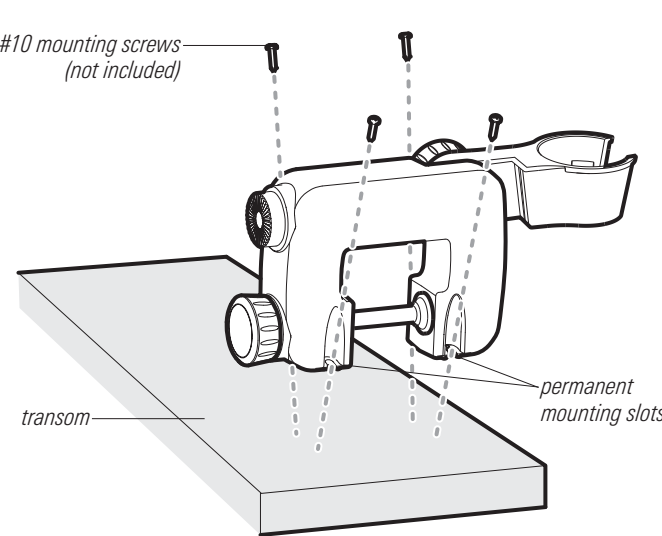
**CAUTION!** Do not over-tighten the clamp!

#### Permanently Install the Mounting Clamp

Use the following instructions to permanently mount the Fishin' Buddy MAX on your boat. Review the installation instructions before proceeding.

1. Hold the mounting clamp against the transom of the boat in the mounting location you have selected.
  2. Use the four permanent mounting slots at the base of the mounting bracket as a guide, and use a pencil or marker to mark where to drill the four mounting holes.
  3. Drill four pilot holes using a 7/64" drill bit. Apply marine-grade silicone sealant to the holes.
- NOTE:** On fiberglass, it is best to use progressively larger drill bits to reduce the chance of chipping or flaking the outer coating.
4. Reposition the mounting clamp and attach it to the boat using #10 wood screws or bolts (not included). **Hand-tighten only!**

#### Permanently Mounting the Clamp



Proceed to the installation section for you Fishin' Buddy MAX model, as follows:

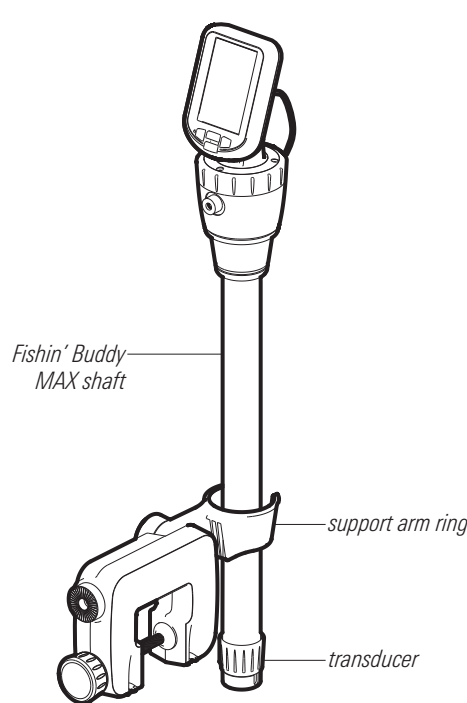
- Mount the Fishin' Buddy MAX
- Mount the Fishin' Buddy MAX DI

### 6. Mount the Fishin' Buddy MAX

When mounted, the Fishin' Buddy MAX must be positioned so that the transducer will be submerged when the boat is in the water.

1. Carefully slide the Fishin' Buddy MAX shaft through the support arm ring on the mounting clamp until the battery well snaps into place. Confirm it is fully seated in the support arm ring.

#### Installing the Fishin' Buddy MAX



2. You may need to adjust the mounting clamp support arm ring to keep the transducer pointing straight down. Loosen the pivot adjustment knob and make the necessary adjustments.

### 7. Mount the Fishin' Buddy MAX DI

The Down Imaging transducer has specific mounting requirements. Review the information below before proceeding with the installation.

- When mounted, the Fishin' Buddy MAX DI must be positioned so that the transducer will be submerged when the boat is in the water.
- The Down Imaging transducer must be oriented so that the pointed end of the transducer body points towards the stern (or behind the boat). The front, rounded end must point towards the bow. See the illustration *Completed Fishin' Buddy MAX DI Installation*.

#### Confirm the Transducer Orientation

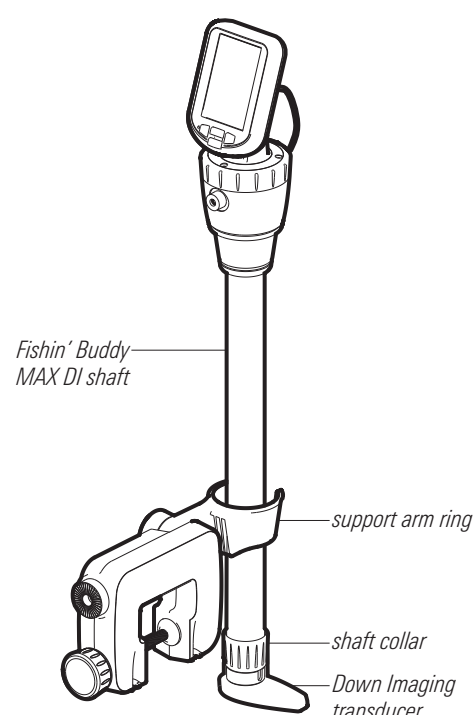
To install the Fishin' Buddy MAX DI with the correct transducer orientation, you may need to adjust the transducer position on the Fishin' Buddy MAX DI shaft.

1. Locate the shaft collar and turn it clockwise to loosen.
2. Pull the telescoping shaft down until it slides out from the Fishin' Buddy MAX DI shaft (see the illustration *Adjusting the Fishin' Buddy MAX DI Telescoping Shaft*). Do NOT pull on the transducer!
3. Rotate the telescoping shaft to set the correct transducer orientation.
4. Align the slots on the telescoping shaft with the slots at the base of the Fishin' Buddy MAX DI shaft and slide the telescoping shaft up to the desired length.
5. Slide the shaft collar up to the base of the shaft and turn counterclockwise to tighten.

#### Install the Fishin' Buddy MAX DI

1. Install the Fishin' Buddy MAX DI shaft through the opening in the support arm ring on the mounting clamp.
2. Slide the shaft down until the battery well snaps into place.
3. Swivel the control head, as needed, so the screen is facing you.

#### Installing the Fishin' Buddy MAX DI

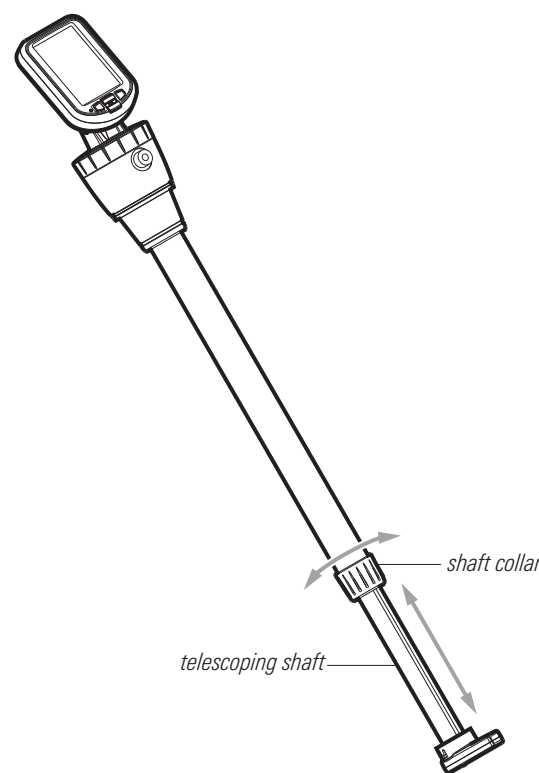


#### Adjust the Fishin' Buddy MAX DI Telescoping Shaft Length (Optional)

You may need to adjust the length of the Fishin' Buddy MAX DI telescoping shaft to fully submerge the transducer in the water. Refer to the instructions below.

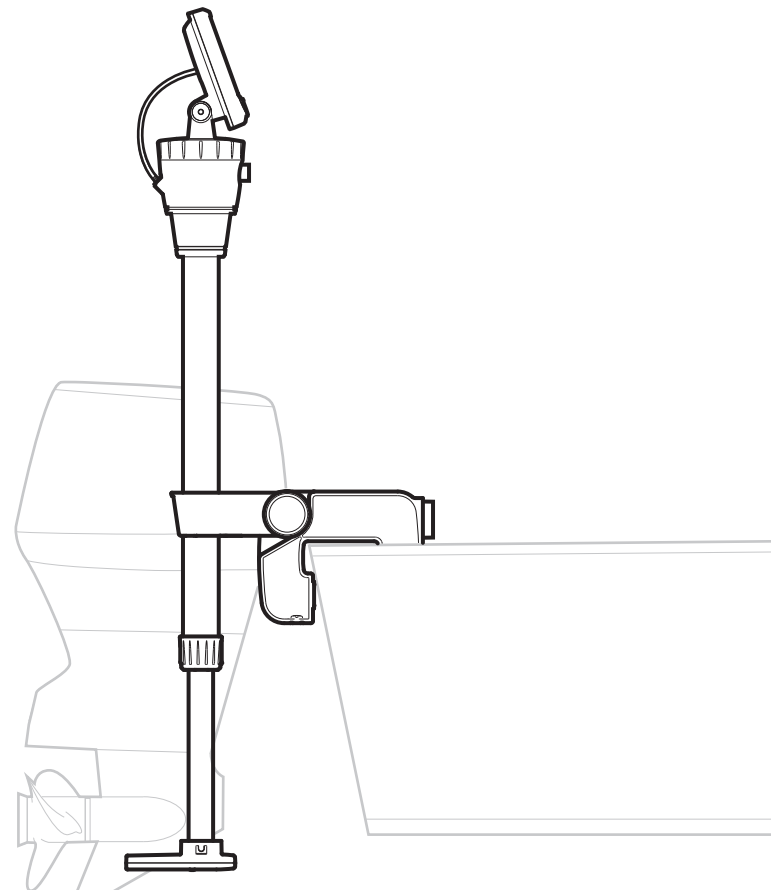
1. Remove the Fishin' Buddy MAX DI from the mounting clamp.
2. Locate the shaft collar and turn it clockwise to loosen.
3. Pull the shaft collar down and adjust the length of the telescoping shaft as needed. Do NOT pull on the transducer!
4. **Secure the Position:** Slide the shaft collar up to the base of the shaft and turn counterclockwise to tighten.
5. Install the Fishin' Buddy MAX DI in the support arm ring (see the section *Install the Fishin' Buddy MAX DI*).

#### Adjusting the Fishin' Buddy MAX DI Telescoping Shaft



Your control head is now ready for on-the-water operation. See your control head operations manual for further details.

#### Completed Fishin' Buddy MAX DI Installation



## MAINTENANCE

Your Humminbird model is designed to provide years of trouble-free operation with virtually no maintenance. Follow the simple procedures below to ensure that your Humminbird model continues to deliver top performance.

### Control Head Maintenance

It is important to consider the following precautions when using your control head.

**WARNING!** Do not use a chemical glass cleaner on the screen. Chemicals in the solution may cause cracking in the lens of the unit.

- Chemicals, such as those found in bug spray and sunscreen, may cause permanent damage to the control head screen. Such damage is not covered by the warranty.
- Never leave your Humminbird unit in a closed car or trunk - the extremely high temperatures generated in hot weather can damage the electronics.

Use the following information to keep the control head and screen clean.

- **Screen:** When cleaning the LCD protective screen, use a chamois and non-abrasive, mild cleaner. Be careful to avoid scratching the lens.
 

**NOTE:** Do not wipe the screen while dirt or grease is on the screen.
- **Control Head:** If the unit comes into contact with salt spray, wipe the affected surfaces with a cloth dampened in fresh water.

### Transducer Maintenance

- If your transducer remains in the water for long periods of time, algae and other marine growth can reduce the effectiveness of the transducer. Periodically clean the face of the transducer with a mild, marine-safe and plastic-safe soap or solution.
- If your transducer remains out of the water for a long period of time, it may take some time to wet the transducer when returned to the water. Small air bubbles can cling to the surface of the transducer and interfere with proper operation. These bubbles dissipate with time, or you can wipe the face of the transducer with your fingers after the transducer is in the water.

## SPECIFICATIONS

Power Requirement ..... 8 AA alkaline batteries

Battery Life ..... 10 hours

**NOTE:** Continuous operation with the Backlight on can significantly reduce battery life.


**WARNING!** Disassembly and repair of this electronic unit should only be performed by authorized service personnel. Any modification of the serial number or attempt to repair the original equipment or accessories by unauthorized individuals will void the warranty.

**NOTE:** Product specifications and features are subject to change without notice.

**ENVIRONMENTAL COMPLIANCE STATEMENT:** It is the intention of Johnson Outdoors Marine Electronics, Inc. to be a responsible corporate citizen, operating in compliance with known and applicable environmental regulations, and a good neighbor in the communities where we make or sell our products.

**WEEE DIRECTIVE:** EU Directive 2002/96/EC "Waste of Electrical and Electronic Equipment Directive (WEEE)" impacts most distributors, sellers, and manufacturers of consumer electronics in the European Union. The WEEE Directive requires the producer of consumer electronics to take responsibility for the management of waste from their products to achieve environmentally responsible disposal during the product life cycle.

WEEE compliance may not be required in your location for electrical & electronic equipment (EEE), nor may it be required for EEE designed and intended as fixed or temporary installation in transportation vehicles such as automobiles, aircraft, and boats. In some European Union member states, these vehicles are considered outside of the scope of the Directive, and EEE for those applications can be considered excluded from the WEEE Directive requirement.

 This symbol (WEEE wheellie bin) on product indicates the product must not be disposed of with other household refuse. It must be disposed of and collected for recycling and recovery of waste EEE. Johnson Outdoors Marine Electronics, Inc. will mark all EEE products in accordance with the WEEE Directive. It is our goal to comply in the collection, treatment, recovery, and environmentally sound disposal of those products; however, these requirements do vary within European Union member states. For more information about where you should dispose of your waste equipment for recycling and recovery and/or your European Union member state requirements, please contact your dealer or distributor from which your product was purchased.

© 2018 Johnson Outdoors Marine Electronics, Inc. All rights reserved.

## CONTACT HUMMINBIRD

Contact Humminbird Customer Service in any of the following ways:

**Web site:**  
humminbird.com

**E-mail:**  
service@humminbird.com

**Telephone:**  
1-800-633-1468

**Direct Shipping:**  
Humminbird  
Service Department  
678 Humminbird Lane  
Eufaula, AL 36027 USA

**Hours of Operation:**  
Monday - Friday  
8:00 a.m. to 4:30 p.m. (Central Standard Time)



## NOTICE D'INSTALLATION DU FISHIN' BUDDY MAX ET FISHIN' BUDDY MAX DI

532418-2\_A

### APERÇU

Ci-après figurent les instructions d'installation du Fishin' Buddy MAX et du Fishin' Buddy MAX DI. Nous vous invitons à lire la notice avant de commencer l'installation afin de prendre connaissance des exigences.

**MATÉRIEL :** Outre le matériel fourni avec la tête de commande, vous aurez besoin de huit (8) piles alcalines AA, d'un tournevis à tête cruciforme, et d'un tournevis à tête plate. Si vous prévoyez de monter le Fishin' Buddy MAX de façon permanente sur votre bateau, vous aurez également besoin de quatre (4) vis ou boulons à bois n° 10, d'un marqueur ou d'un crayon, d'une perceuse électrique et de divers forets, de lunettes de sécurité, d'un masque anti-poussière et d'un agent d'étanchéité à base de silicone de qualité marine (voir la rubrique **Raccord de la bride de fixation du Fishin' Buddy MAX au bateau** pour un complément d'information).

**AVERTISSEMENT !** *Retirez le Fishin' Buddy MAX de la bride de fixation pendant la navigation. Veillez à NE PAS naviguer à grande vitesse avec le Fishin' Buddy MAX fixé au bateau sous peine d'abîmer l'appareil. Utilisez le Fishin' Buddy MAX à vitesse de pêche à la traîne uniquement.*

**AVERTISSEMENT !** *NE tentez PAS de mettre en marche le Fishin' Buddy MAX en utilisant la source d'alimentation du bateau. Vous risqueriez de causer des dégâts permanents à votre Fishin' Buddy MAX. Humminbird n garantit pas le produit contre les surtensions et les surintensités.*

**REMARQUE :** *Les procédures et les fonctionnalités décrites dans ce manuel sont susceptibles d'être modifiées à tout moment sans préavis. Ce manuel a été rédigé en anglais et a été traduit dans d'autres langues. Humminbird n'est pas responsable de la traduction inexacte ou des légères anomalies susceptibles d'être rencontrées dans les différents documents.*

**REMARQUE :** *Même si les illustrations de ce guide ne représentent pas exactement votre appareil, celui-ci fonctionne de la même façon.*

### SURVOL DE L'INSTALLATION

L'installation du Fishin' Buddy MAX implique d'exécuter les principales tâches suivantes :

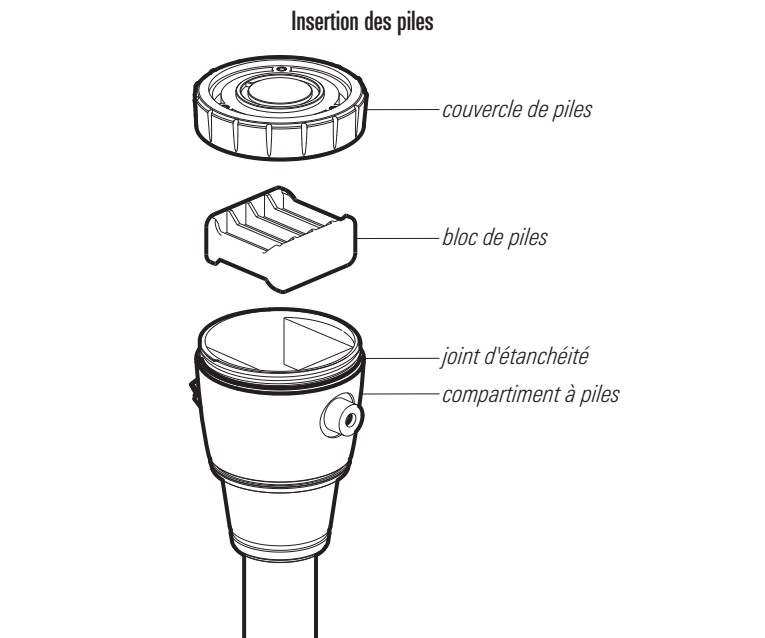
- Insertion des piles dans le compartiment à piles
- Fixation du support de montage de la tête de commande à l'arbre du Fishin' Buddy MAX
- Installation de la tête de commande
- Branchement des câbles à la tête de commande
- Raccord de la bride de fixation du Fishin' Buddy MAX au tableau arrière
- Montage du Fishin' Buddy MAX

#### 1. Insertion des piles dans le compartiment à piles

Le Fishin' Buddy MAX utilise huit piles alcalines AA (non fournies).

**AVERTISSEMENT !** *Prenez soin de toujours retirer rapidement les piles épuisées et avant tout rangement prolongé pour éviter les éventuels dégâts suite à une fuite d'acide des piles. Le non-respect de cette consigne risque d'entraîner l'annulation de votre garantie.*

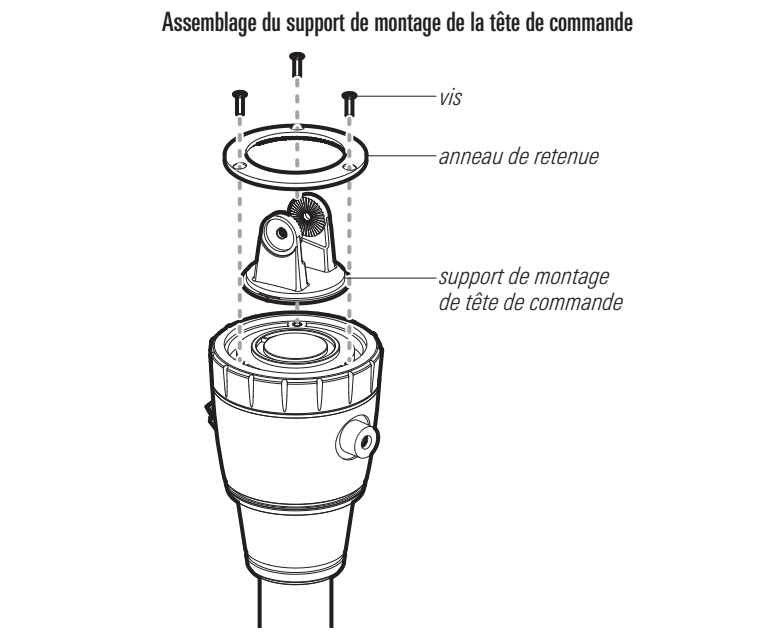
- Tournez le couvercle dans le sens antihoraire et ôtez-le du compartiment à piles.
- Sortez délicatement le bloc de piles du compartiment (voir l'illustration ***Insertion des piles***).
- REMARQUE :** *Veillez à NE PAS retirer la mousse qui se trouve à l'intérieur du compartiment à piles.*
- À l'aide du diagramme à l'intérieur du bloc de piles, installez les huit piles alcalines AA (non fournies).
- Installez le bloc de piles dans le compartiment. Vérifiez que les fils sont bien sur le côté (en non en dessous) du bloc de piles.
- Assurez-vous que le joint d'étanchéité est correctement positionné autour du compartiment à piles (voir l'illustration ***Insertion des piles***).
- Installez le couvercle sur le compartiment à piles, et vissez dans le sens horaire. **Serrer à la main seulement !**



#### 2. Fixation du support de montage de la tête de commande

Après l'insertion des piles, installez le support de montage de la tête de commande en procédant comme suit.

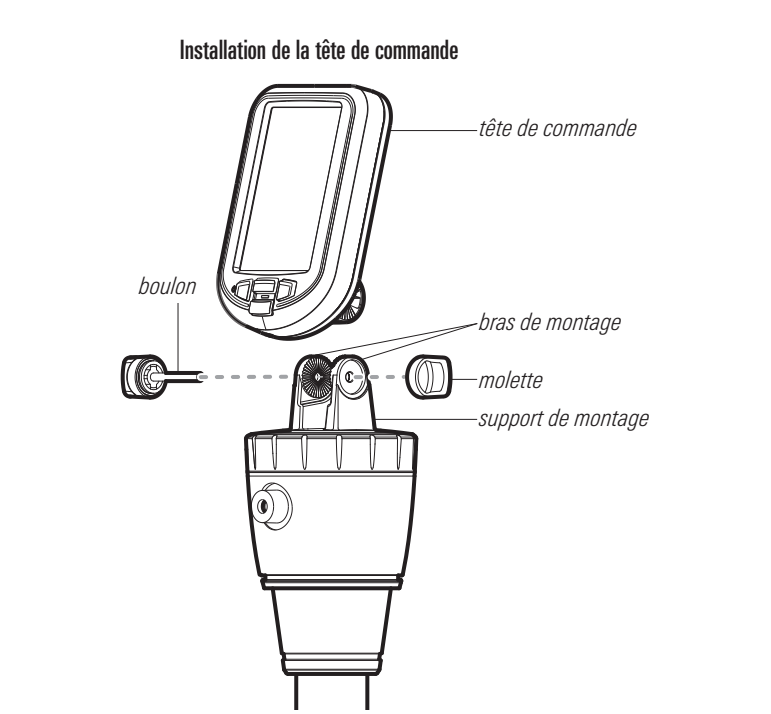
- Positionnez le support de montage de la tête de commande sur le couvercle du compartiment à piles.
- Alignez les trois orifices de passage des vis sur l'anneau de retenue sur ceux qui se trouvent sur le dessus du couvercle du compartiment, et installez l'anneau de retenue par-dessus le support de montage de la tête de commande. Voir l'illustration ***Assemblage du support de montage de la tête de commande***.
- Introduisez les trois vis mécaniques à tête plate n° 6 (fournies) dans les orifices de passage des vis à filet. Serrez suffisamment chacune des vis à la main pour qu'elles maintiennent l'anneau de retenue en place.
- REMARQUE :** *Ne serrez pas complètement les vis avant que les trois vis ne soient en place.*
- Une fois les trois vis installées, serrez-les complètement pour bien fixer le support de montage. **Serrer à la main seulement !**



#### 3. Installation de la tête de commande

- Positionnez la tête de commande de sorte que l'écran soit face au côté opposé des câbles sur le compartiment à piles (voir l'illustration ***Installation de la tête de commande***). Faites pivoter le support de montage de la tête de commande, s'il y a lieu.
- Installez la tête de commande entre les bras de montage du support de montage.
- Inclinez la tête de commande pour régler l'angle de vue, s'il y a lieu.
- Après avoir réglé l'angle de vue de la tête de commande, faites passer le boulon fourni dans l'orifice sur le bras de montage. Vissez la molette de montage sur l'extrémité du boulon et serrez à la main. **Serrer à la main seulement !**

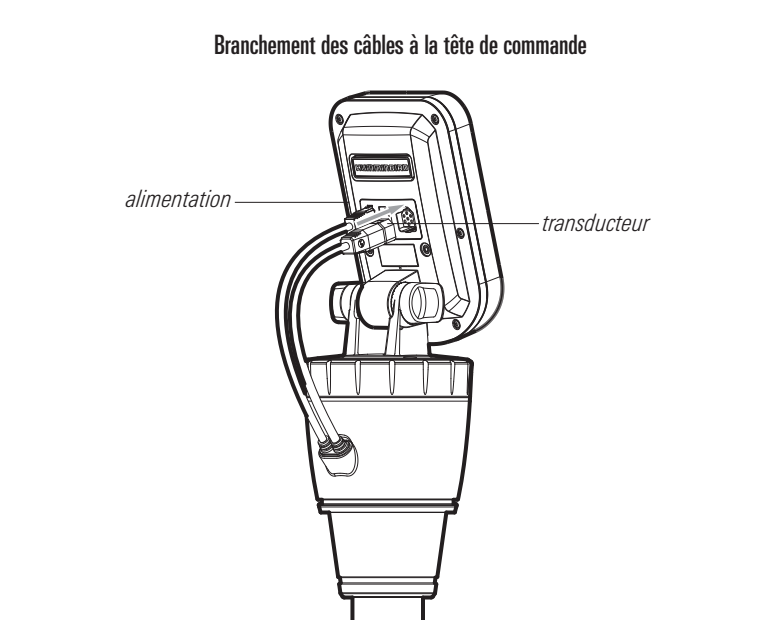
**Tournez la tête de commande :** Faites pivoter la tête de commande sur le support de montage en saisissant le support de montage et en le tournant.



#### 4. Branchement des câbles à la tête de commande

Procédez comme suit pour fixer les câbles du transducteur et d'alimentation sur le compartiment à piles aux connecteurs clavetés au dos de la tête de commande.

- Repérez les câbles du transducteur et d'alimentation sur le compartiment à piles, et acheminez les connecteurs à l'arrière de la tête de commande.
- Insérez les connecteurs de câble dans les ports de forme correspondante sur la tête de commande. Voir les illustrations ***Ports de la tête de commande*** et ***Branchement des câbles à la tête de commande***.



### 5. Raccord de la bride de fixation du Fishin' Buddy MAX au bateau

Examinez les possibilités d'installation suivantes avant de poursuivre :

- Montage provisoire :** Raccordez la bride de fixation au bateau via le système de blocage. La bride est le moyen le plus polyvalent et portable pour monter le Fishin' Buddy MAX au tableau arrière de votre bateau.
- OU**
- Montage permanent :** Raccordez la bride de fixation via les rainures de montage permanent pour visser ou boulonner la bride de fixation au bateau. Vous aurez besoin de quatre (4) vis ou boulons à bois n° 10 et d'un agent d'étanchéité à base de silicone de qualité marine (non fourni).

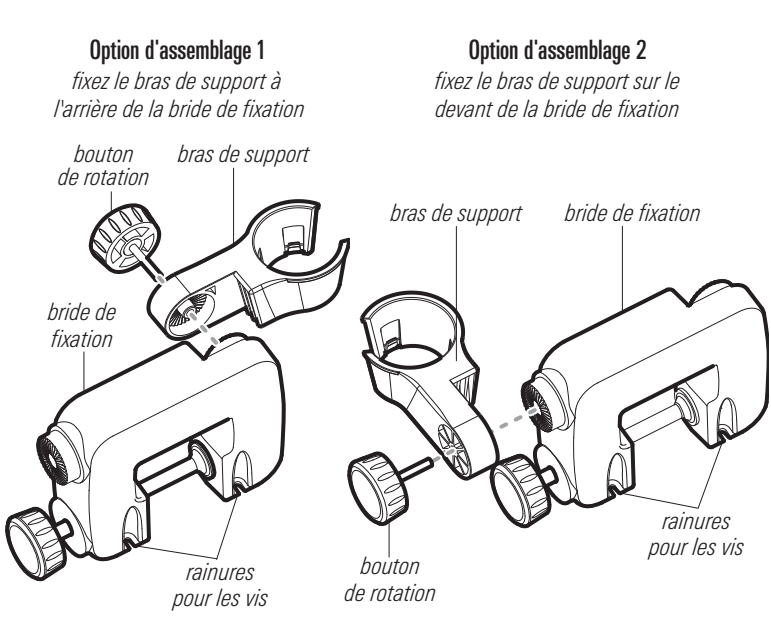
##### Choix de l'emplacement de montage

Utilisez l'information suivante au moment d'envisager le site de montage :

- Il convient de monter le Fishin' Buddy MAX à un endroit où il sera bien visible et aisément accessible.
- Il importe de monter l'arbre du Fishin' Buddy MAX de sorte que le transducteur (situé à l'extrémité de l'arbre Fishin' Buddy MAX) soit complètement submergé dans l'eau; en effet, le signal sonar ne se transmet pas dans l'air.
- Turbulence :** Il est très important de positionner le transducteur à un endroit relativement libre de turbulences. Un bateau qui se déplace sur l'eau génère une traînée de turbulences causées par son poids et la propulsion de l'hélice (des hélices), peu importe si elle(s) tourne(nt) dans le sens horaire ou antihoraire. Ces turbulences se limitent normalement aux zones situées directement à l'arrière des membrures, virures ou rangées de rivets sous le bateau et dans la zone immédiate de l'hélice (des hélices). Les hélices à rotation horaire créent plus de turbulences à bâbord. Sur les bateaux munis d'un moteur hors-bord ou semihors- bord, il vaut mieux placer le transducteur à une distance d'au moins 15 po (38 cm) à côté de l'hélice (des hélices).
- Fishin' Buddy MAX DI :** Le transducteur Down Imaging doit être orienté de façon à ce que l'extrémité pointue de son corps pointe vers la poupe (ou derrière le bateau). L'extrémité arrondie sur le devant doit pointer vers la proue. Voir ***Montage du Fishin' Buddy MAX DI*** pour plus de détails.

##### Assemblage de la bride de montage

- Déterminez l'option d'assemblage par rapport au site de montage de votre choix au moyen des illustrations ci-dessous.

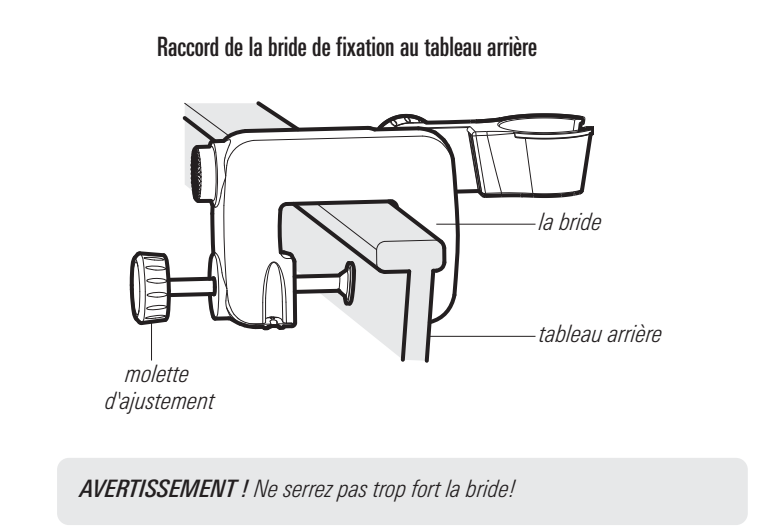


- Alignez l'orifice cliqueté du bras de support sur le site de montage cliqueté déterminé à l'étape 1. Voir les illustrations de ***Option d'assemblage 1*** et de ***Option d'assemblage 2***.
- Filetez le bouton de rotation à travers l'orifice dans le bras de support et tournez dans le sens horaire pour serrer (voir les illustrations de ***Option d'assemblage 1*** et de ***Option d'assemblage 2***). **Serrer à la main seulement !**

##### Raccord de la bride de fixation au tableau arrière

Pour monter de façon permanente le Fishin' Buddy MAX sur votre bateau, reportez-vous à la rubrique ***Installation permanente de la bride de fixation***.

- Desserrez la bride en tournant la molette d'ajustement dans le sens antihoraire.
- Installez la bride de fixation dans le site de montage de votre choix. Vérifiez qu'elle repose sur le dessus du tableau arrière (logée le plus profond possible).
- Tournez la molette d'ajustement dans le sens horaire pour bien fixer la bride de fixation au tableau arrière. **Ne serrez pas trop fort !**
- Assurez-vous que la bride de fixation est parfaitement installée. Si vous jugez qu'elle n'est instable après avoir serré, desserrez la molette d'ajustement, repositionnez la bride et répétez l'étape 3.

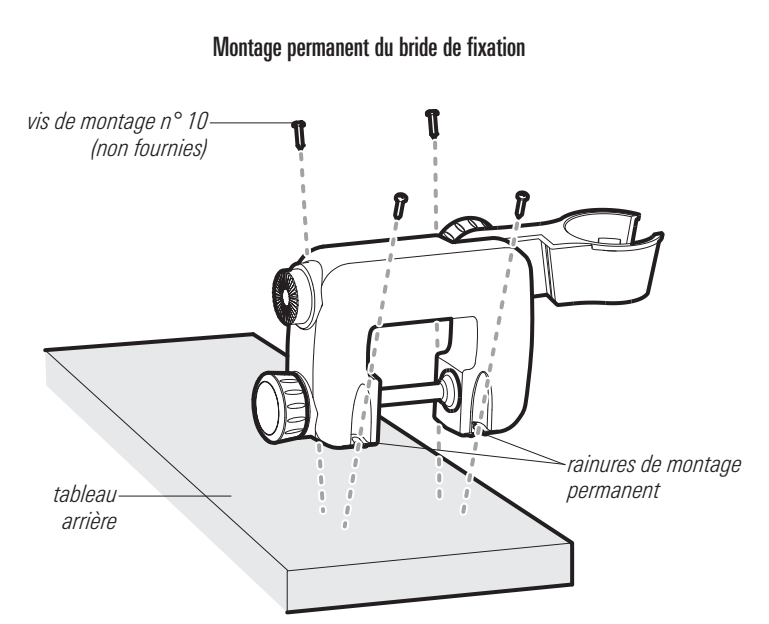


**AVERTISSEMENT !** *Ne serrez pas trop fort la bride!*

##### Installation permanente de la bride de fixation

Procédez comme suit pour monter de façon permanente le Fishin' Buddy MAX sur votre bateau. Revoyez les consignes d'installation avant de poursuivre.

- Maintenez la bride de fixation contre le tableau arrière du bateau, au site de montage déterminé au préalable.
- En vous aidant des quatre rainures de montage permanent à la base du support de montage, inscrivez au crayon ou au marqueur l'endroit où percer les quatre orifices.
- Percez quatre avant-trous de 7/64 po sur la surface de montage choisie au préalable. Appliquez un agent d'étanchéité à base de silicone de qualité marine sur les trous.
- REMARQUE :** *Pour fibre de verre, il vaut mieux commencer avec un foret d'un diamètre plus petit et utiliser des forets d'un diamètre plus grand par la suite afin de réduire les risques d'écaillage du revêtement extérieur.*
- Repositionnez la bride de fixation et fixez-la au bateau au moyen de vis ou de boulons à bois n° 10 (non fournis). **Serrer à la main seulement !**



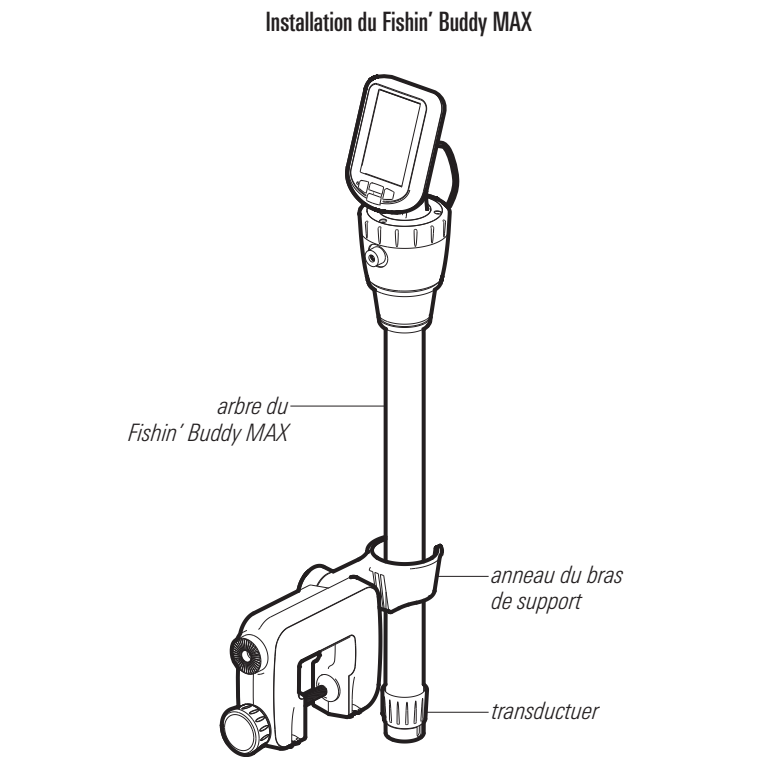
##### Procédez à l'installation de votre Fishin' Buddy MAX comme suit :

- Montage du Fishin' Buddy MAX
- Montage du Fishin' Buddy MAX DI

#### 6. Montage du Fishin' Buddy MAX

Une fois monté, le Fishin' Buddy MAX doit être placé de sorte à être submergé quand le bateau est dans l'eau.

- Faites coulisser délicatement l'arbre du Fishin' Buddy MAX à travers l'anneau du bras de support sur la bride de fixation jusqu'à ce que le compartiment à piles s'enclenche. Assurez-vous qu'il est parfaitement logé dans l'anneau du bras de support.



- Il peut s'avérer nécessaire de régler l'anneau du bras de support de la bride de fixation pour maintenir le transducteur en direction tout droit en bas. Desserrez la molette d'ajustement du pivot et ajustez au besoin.

#### 7. Montage du Fishin' Buddy MAX DI

Le transducteur Down Imaging fait l'objet d'exigences de montage particulières. Revoyez les informations ci-dessous avant de procéder à l'installation.

- Une fois monté, le Fishin' Buddy MAX DI doit être placé de sorte à être submergé quand le bateau est dans l'eau.
- Le transducteur Down Imaging doit être orienté de façon à ce que l'extrémité pointue de son corps pointe vers la poupe (ou derrière le bateau). L'extrémité arrondie sur le devant doit pointer vers la proue. Voir l'illustration ***Installation du Fishin' Buddy MAX DI terminée***.

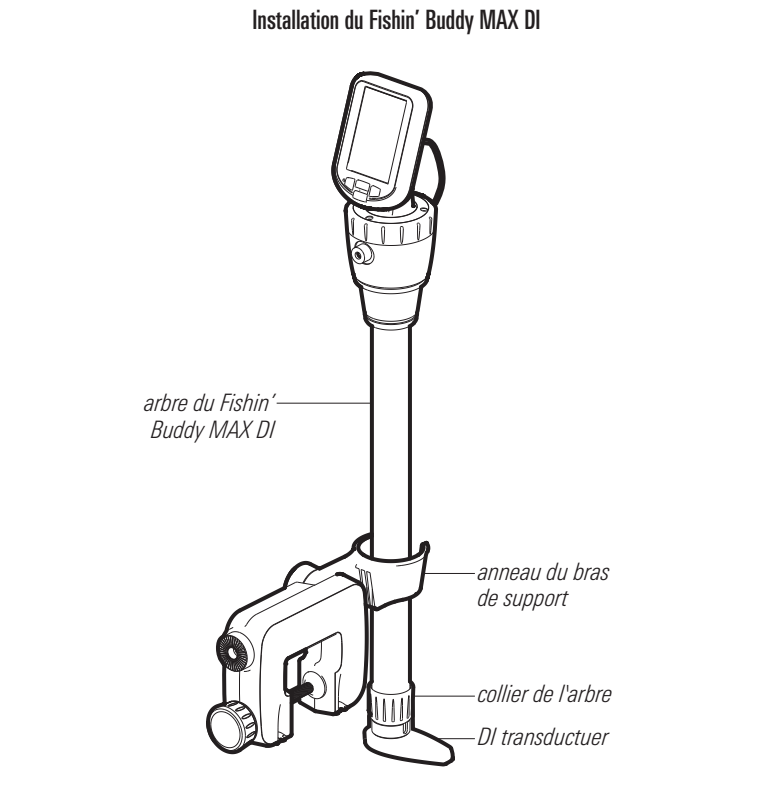
##### Confirmez l'orientation de le transducteur

Pour installer le Fishin' Buddy MAX DI avec l'orientation de le transducteur correcte, vous pouvez avoir besoin d'ajuster la position du transducteur sur le arbre du Fishin' Buddy MAX DI.

- Repérez le collier au bas de l'arbre, et faites-le pivoter dans le sens horaire pour le desserrer.
- Retirer la tige télescopique vers le bas jusqu'à ce qu'il glisse hors de la Fishin' arbre Buddy MAX DI (voir l'illustration ***Réglage de la Fishin' Buddy MAX DI télescopisque Shaft***). Veillez à NE PAS tirer sur le transducteur!
- Faire tourner l'arbre télescopique pour régler l'orientation de le transducteur correcte.
- Aligner les fentes de l'arbre télescopique avec les fentes à la base de l'arbre de Fishin' Buddy MAX DI et faites glisser l'arbre télescopique jusqu'à la longueur désirée.
- Faites glisser le collier de l'arbre jusqu'à la base de l'arbre et tourner dans le sens antihoraire pour serrer.

##### Installation du Fishin' Buddy MAX DI

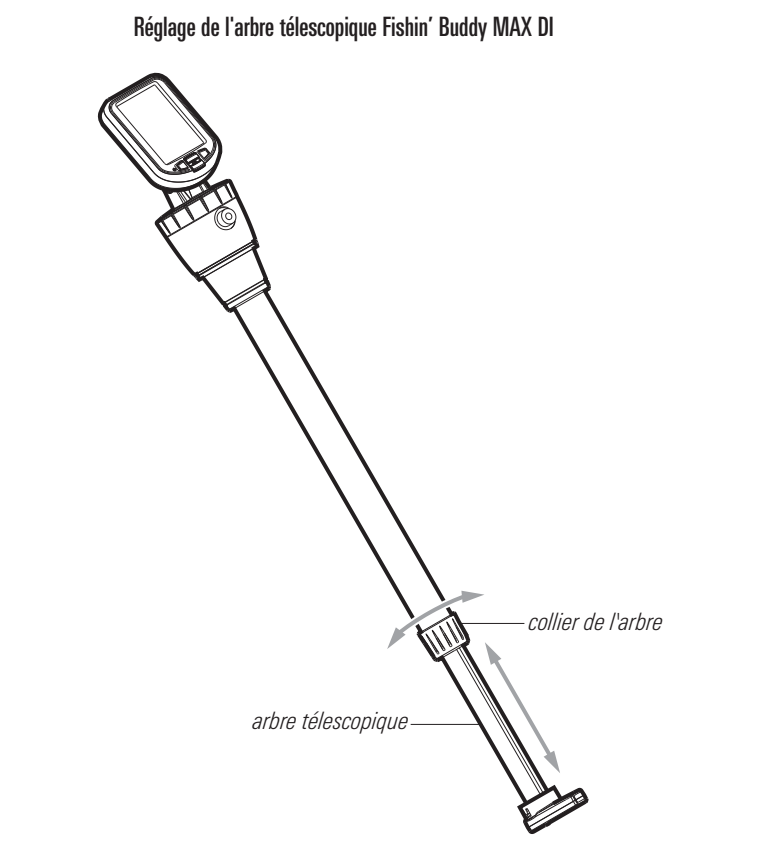
- Installez l'arbre du Fishin' Buddy MAX DI à travers l'ouverture dans l'anneau du bras de support sur la bride de fixation.
- Faites coulisser l'arbre vers le bas jusqu'à ce que le compartiment à piles s'enclenche.
- Pivotant la tête de commande, au besoin, de sorte qu'il est face à vous.



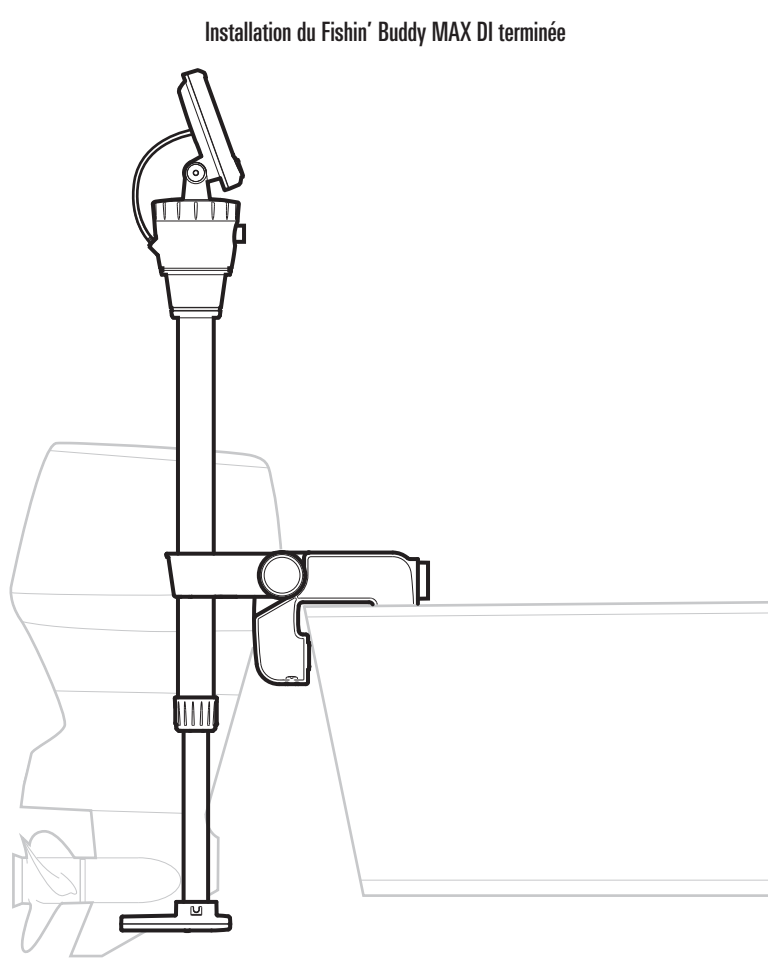
##### Réglage de la longueur de la arbre télescopique du Fishin' Buddy MAX DI (facultatif)

Il peut s'avérer nécessaire de régler la longueur de l'arbre du Fishin' Buddy MAX DI pour submerger entièrement le transducteur dans l'eau. Reportez-vous aux consignes ci-dessous.

- Retirez le Fishin' Buddy MAX DI de la bride de fixation.
- Repérez le collier au bas de l'arbre, et faites-le pivoter dans le sens horaire pour le desserrer.
- Tirez le collier de l'arbre vers le bas et régler la longueur de l'arbre s'il y a lieu. Veillez à NE PAS tirer sur le transducteur!
- Maintenez la position :** Coulissez le collier de l'arbre vers le haut jusqu'à la base de l'arbre, et faites-le pivoter dans le sens antihoraire pour serrer.
- Installez le Fishin' Buddy MAX DI dans l'anneau du bras de support de la bride de fixation (voir la rubrique ***Installation du Fishin' Buddy MAX DI***).



La tête de commande est maintenant prête à fonctionner sur l'eau. Pour obtenir de plus amples renseignements, consultez le guide d'utilisation de la tête de commande.



### ENTRETIEN

Votre modèle Humminbird a été conçu pour fonctionner correctement pendant des années sans requérir d'entretien important. Respectez les procédures suivantes pour garantir la meilleure performance possible de votre dispositif Humminbird.

#### Entretien de la tête de commande

Il est important de garder les précautions suivantes à l'esprit lors de l'utilisation de votre tête de commande Humminbird :

**AVERTISSEMENT !** *N'utilisez pas de nettoyant chimique pour verre sur l'écran. Les produits chimiques contenus dans la solution risqueraient de fendre la lentille de l'appareil.*

- Les produits chimiques, tels que ceux qui se trouvent dans les insecticides ou les écrans solaires peuvent endommager de façon permanente l'écran de la tête de commande. De tels dégâts ne sont pas couverts par la garantie.
- Ne laissez jamais votre détecteur de poissons Humminbird dans une voiture, ou le coffre d'une voiture fermée, car les températures extrêmes des journées chaudes risquent d'endommager les composants électroniques.

Utilisez les informations suivantes pour maintenir l'écran et la tête de contrôle propres.

- Écran :** Lorsque vous nettoyez le verre protecteur de l'affichage LCD, utilisez une peau de chamois et un détergent doux non abrasif. Veillez à ne pas rayer l'écran. **REMARQUE :** *N'essayez pas l'écran quand il présente des poussières ou des taches de graisse.*
- Tête de commande :** Si la tête de contrôle est en contact avec des embruns, essuyez les surfaces concernées avec un linge humecté d'eau douce.

#### Entretien du transducteur

- Si le bateau demeure à l'eau pendant de longues périodes, les salissures peuvent réduire l'efficacité du transducteur. Nettoyez périodiquement la façade du transducteur avec un savon ou liquide doux et sans danger pour le plastique et pour le milieu biologique marin.
- Si le bateau reste hors de l'eau pendant une période prolongée, il faudra peut-être un certain temps pour mouiller le transducteur une fois ce dernier remis à l'eau. De petites bulles d'air peuvent remonter à la surface du transducteur et gêner son fonctionnement. Ces bulles se dissipent avec le temps mais, si vous le désirez, vous pouvez essuyer la surface du transducteur avec vos doigts une fois celui-ci dans l'eau.

### SPÉCIFICATIONS

Alimentation requise . . . . . 8 piles alcalines AA

Durée de vie de la pile . . . . . 10 heures

**REMARQUE :** *Une activation continue de la fonction de rétroéclairage peut de façon substantielle diminuer la durée de vie de la pile.*

**AVERTISSEMENT !** *La réparation et le démontage de cet appareil électronique doivent être effectués uniquement par un personnel d'entretien autorisé. Toute modification du numéro de série ou réparation par un personnel non autorisé entraînera l'annulation de la garantie.*

**REMARQUE :** *Les caractéristiques et spécifications de ce produit peuvent être modifiées sans préavis.*

**DÉCLARATION DE CONFORMITÉ AVEC L'ENVIRONNEMENT :** *Johnson Outdoors Marine Electronics, Inc. entend agir en de façon responsable, et respecter la réglementation environnementales connues et applicables et la politique de bon voisinage des communautés où elle fabrique et vend ses produits.*

**DIRECTIVE DEEE :** *La directive EU 2002/96/CE sur les « déchets d'équipements électriques et électroniques (DEEE) » concerne la plupart des distributeurs, vendeurs et fabricants d'équipements électroniques grand public dans l'Union européenne. La directive DEEE requiert que le producteur d'équipements électroniques grand public prenne en charge la gestion des déchets de leurs produits émettent en oeuvre leur élimination en respectant l'environnement, pendant le cycle de vie du produit.*

*Il est possible que la conformité à la directive DEEE ne soit pas requise sur le site pour les équipements électriques et électroniques (EEE), ou pour les équipements EEE conçus et destinés à des installations temporaires ou fixes sur les véhicules de transport tels que les automobiles, les aéronefs ou les bateaux. Dans certains pays membres de l'Union européenne, ces véhicules n'entrent pas dans le domaine d'application de la directive, et les EEE pour ces applications peuvent être considérés exclus de la conformité à la directive WEEE.*

 *Ce symbole (poubelle DEEE) figurant sur le produit indique qu'il ne doit pas être mis au rebut avec les autres déchetsménagers. Il doit être éliminé et recueilli pour le recyclage et la récupération des équipements EEE à mettre au rebut. Johnson Outdoors Marine Electronics, Inc.marque tous les produits EEE conformément à la directive DEEE. Notre but est de respecter les directives sur la collecte, le traitement, la récupération et la mise au rebut de ces produits en respectant l'environnement ; ces exigences varient toutefois d'un état membre à l'autre de l'Union européenne. Pour obtenir d'autres renseignements sur les sites d'élimination des déchets d'équipements en vue de leur recyclage et de leur récupération et/ou sur les exigences des états membres de l'Union européenne, renseignez-vous auprès du distributeur ou du lieu d'achat de votre produit.*

© 2018 Johnson Outdoors Marine Electronics, Inc. Tous droits réservés.

### POUR COMMUNIQUER AVEC HUMMINBIRD

Communiquez avec le service à la clientèle de l'une des façons suivantes :

<b>site Web<span> </span>:</b>	humminbird.com
<b>Courrier électronique<span> </span>:</b>	service@humminbird.com
<b>Téléphone<span> </span>:</b>	1-800-633-1468
<b>Adresse d'expédition directe<span> </span>:</b>	Humminbird Service Department 678 Humminbird Lane Eufaula, AL 36027 USA
<b>Heures de fonctionnement<span> </span>:</b>	du lundi au vendredi de 8 h à 16 h 30 (heure normale du Centre)

