

DYNAMIC FUNCTIONAL CAGE OUTDOOR

DFC OUTDOOR è la proposta Panatta da esterno per l'allenamento funzionale, calistenico e crosstraining. Dodici le strutture proposte di varie forme e dimensioni. Panatta dà inoltre la possibilità di creare una DFC Outdoor completamente personalizzata realizzata in funzione dello spazio a disposizione e della tipologia di allenamento che si desidera fare.

DFC OUTDOOR is the new Panatta solution for outdoor training; functional, calisthenics and cross-training. It is made of twelve structures of different shapes and sizes. Panatta gives also the chance to build-up your personal DFC Outdoor fully customized depending on the available space and the desired type of training.

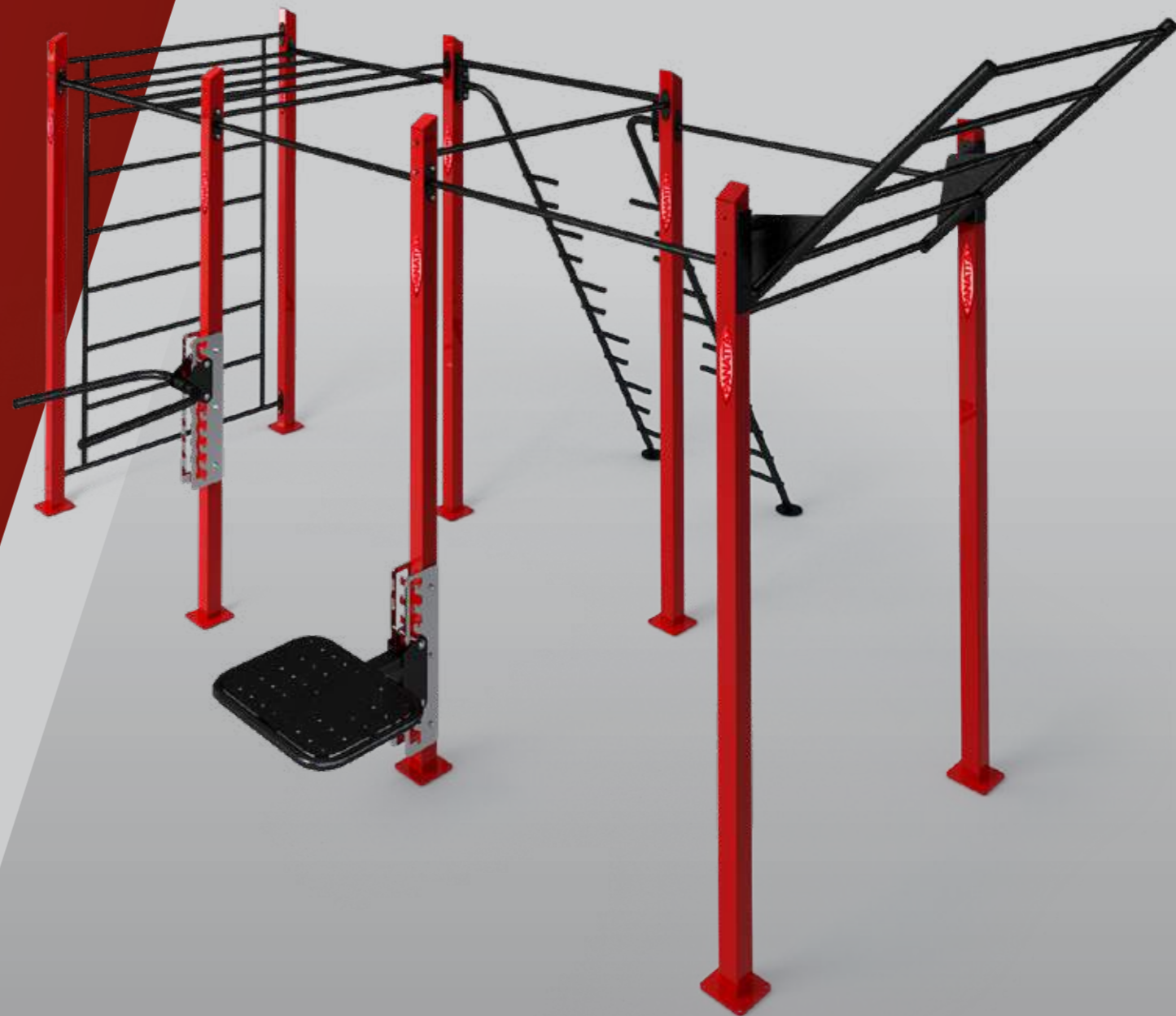
FR. DFC OUTDOOR est la proposition Panatta outdoor pour l'entraînement fonctionnel, Calisthenics et Crosstraining. 12 structures standard prédéfinies. Panatta donne également la possibilité de créer un DFC Outdoor entièrement personnalisé en fonction de l'espace disponible et du type d'entraînement souhaité.

ES. DFC OUTDOOR OUTDOOR es la propuesta Panatta de exterior para el entrenamiento funcional, calistenia y crosstraining. Doce estructuras propuestas de diversas formas y dimensiones. Panatta, además, ofrece la posibilidad de crear una DFC Outdoor totalmente personalizada, en función del espacio disponible y del tipo de entrenamiento deseado.

DE. DFC OUTDOOR ist die neue Panatta-Lösung für das Training im Freien: Functional, Calisthenics und Cross-Training. Diese Serie besteht aus zwölf Varianten in verschiedenen Formen und Größen. Panatta bietet Ihnen auch die Möglichkeit, Ihren persönlichen DFC Outdoor Trainingsbereich ganz individuell zu gestalten, je nach verfügbarem Platz und der gewünschten Trainingsart.

RU. DFC OUTDOOR - это система от компании Panatta, устанавливаемая на открытом воздухе для функциональных тренировок, вольных упражнений и кросс-тренинга. Предлагается двенадцать конструкций различных форм и размеров. Panatta также предоставляет возможность создать полностью индивидуальный комплект DFC Outdoor в соответствии с имеющимся пространством и типом тренировки, которую вы хотите проводить.

AR. DFC OUTDOOR هو مشروع من Panatta للهواء الطلق للتدريب الوظيفي، وتمرين الجيمناز، والتدريب المكثف. تم تصميم التي عشر هيكل بأشكال وأحجام مختلفة. يوفر Panatta أيضاً إمكانية إنشاء DFC Outdoor مخصص بالكامل وفقاً للمساحة المتاحة ونوع التدريب الذي تريد القيام به.



Find more





DFC 316 OUTDOOR SQUARE

1CC001



DIMENSIONS

W 199 cm	H 256 cm	Surface	6,3 sqm
L 316 cm	Wt 180 kg	Suggested training space	20 sqm
Delivery	disassembled	N. of users	6

INCLUDED ELEMENTS

CODE	DESCRIPTION	Q.TY
4GRCC003	DIPS MODULE - OUTDOOR	1
4GRCC004	STEP-UP BOARD MODULE - OUTDOOR	1
4GRCC007	VERTICAL SCALE MODULE - OUTDOOR	1
7STCC018V	CROSSBAR L.1450 - OUTDOOR	3

DFC 300 OUTDOOR CLIMB

1CC002*



DIMENSIONS

W 170 cm	H 416 cm	Surface	5,1 sqm	N. of users	5
L 300 cm	Wt 178 kg	Suggested training space	18,5 sqm	Delivery	Disassembled

INCLUDED ELEMENTS

CODE	DESCRIPTION	Q.TY
4GRCC001	BASE COLUMN - OUTDOOR	2
4GRCC009	INCLINED PLANE MODULE - OUTDOOR	1
7STCC018V	CROSSBAR L.1450 - OUTDOOR	2
4GRCC010	CLIMBING COLUMN MODULE - OUTDOOR	2
4GRCC011	CLIMBING CROSSBAR MODULE - OUTDOOR	1

*BARBELLS AND FUNCTIONAL ACCESSORIES NOT INCLUDED

DFC 125 OUTDOOR WALL

1CC003*



DIMENSIONS

W 116 cm	H 256 cm	Surface	1,5 sqm
L 125 cm	Wt 66 kg	Suggested training space	5 sqm
Delivery	disassembled	N. of users	3

INCLUDED ELEMENTS

CODE	DESCRIPTION	Q.TY
4GRCC006	SQUAT MODULE - OUTDOOR	1
7STCC015V	CROSSBAR L.1000 - OUTDOOR	2
4GRCC012	WALL FIXING KIT - OUTDOOR	2

*BARBELLS AND FUNCTIONAL ACCESSORIES NOT INCLUDED

DFC 556 OUTDOOR POWER

1CC004*



DIMENSIONS

W 422 cm	H 256 cm	Surface	23,5 sqm	N. of users	12
L 556 cm	Wt 345 kg	Suggested training space	46,5 sqm	Delivery	Disassembled

INCLUDED ELEMENTS

CODE	DESCRIPTION	Q.TY
4GRCC003	DIPS MODULE - OUTDOOR	1
4GRCC004	STEP-UP BOARD MODULE - OUTDOOR	1
4GRCC005	PARALLEL BARS MODULE - OUTDOOR	1
4GRCC002	AB BENCH MODULE - OUTDOOR	1
4GRCC006	SQUAT MODULE - OUTDOOR	1
4GRCC009	INCLINED PLANE MODULE - OUTDOOR	1
7STCC018V	CROSSBAR L.1450 - OUTDOOR	4
7STCC015V	CROSSBAR L.1000 - OUTDOOR	1



* BARBELL AND FUNCTIONAL ACCESSORIES NOT INCLUDED



DFC 487 OUTDOOR CROSSBRIDGE

1CC005



DFC 553 OUTDOOR CROSSBAR

1CC006

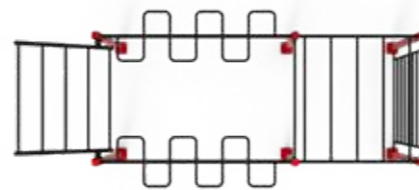


DIMENSIONS

W	216 cm	H	305 cm	Surface	10,5 sqm	N. of users	7
L	487 cm	Wt	268 kg	Suggested training space	25 sqm	Delivery	Disassembled

INCLUDED ELEMENTS

CODE	DESCRIPTION	Q.TY
4GRCC001	BASE COLUMN MODULE - OUTDOOR	4
4GRCC007	VERTICAL SCALE MODULE - OUTDOOR	1
7STCC016V	SNAKE CROSSBAR L.2320 - OUTDOOR	2
7STCC020V	HORIZONTAL SCALE MODULE L.1450 - OUTDOOR	1
7STCC018V	CROSSBAR L.1450 - OUTDOOR	1
7STCC019V	INCLINED SCALE MODULE - OUTDOOR	1

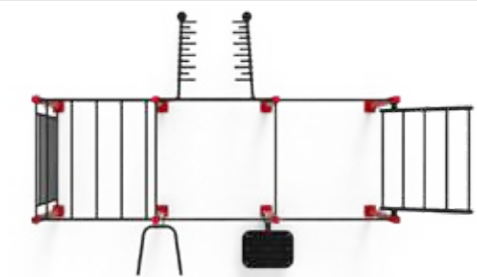


DIMENSIONS

W	376 cm	H	305 cm	Surface	21 sqm	N. of users	13
L	553 cm	Wt	378 kg	Suggested training space	43,5 sqm	Delivery	Disassembled

INCLUDED ELEMENTS

CODE	DESCRIPTION	Q.TY
4GRCC007	VERTICAL SCALE MODULE - OUTDOOR	1
4GRCC001	BASE COLUMN MODULE - OUTDOOR	4
4GRCC003	DIPS MODULE - OUTDOOR	1
4GRCC004	STEP UP BOARD MODULE - OUTDOOR	1
4GRCC009	INCLINED PLANE MODULE - OUTDOOR	1
7STCC018V	CROSSBAR L.1450 - OUTDOOR	5
7STCC020V	HORIZONTAL SCALE MODULE L.1450 - OUTDOOR	1
7STCC019V	INCLINED SCALE MODULE - OUTDOOR	1



DFC 862 OUTDOOR BRIDGE

1CC007*



DFC 601 OUTDOOR POWER SQUARE

1CC008

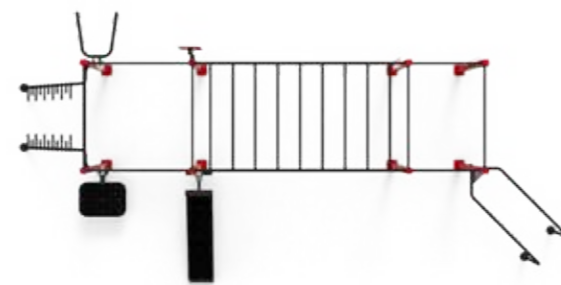


DIMENSIONS

W	426 cm	H	320 cm	Surface	36,5 sqm	N. of users	16
L	862 cm	Wt	442 kg	Suggested training space	65,5 sqm	Delivery	Disassembled

INCLUDED ELEMENTS

CODE	DESCRIPTION	Q.TY
4GRCC005	PARALLEL BARS MODULE - OUTDOOR	1
4GRCC006	SQUAT MODULE - OUTDOOR	1
4GRCC001	BASE COLUMN MODULE - OUTDOOR	2
4GRCC002	AB BENCH MODULE - OUTDOOR	1
4GRCC003	DIPS MODULE - OUTDOOR	1
4GRCC004	STEP UP BOARD MODULE - OUTDOOR	1
4GRCC009	INCLINED PLANE MODULE - OUTDOOR	1
7STCC018V	CROSSBAR L.1450 - OUTDOOR	5
7STCC015V	CROSSBAR L.1000 - OUTDOOR	1
7STCC017V	HORIZONTAL SCALE MODULE L.2980 - OUTDOOR	1
4GRCC008	BALL TARGET MODULE - OUTDOOR	1

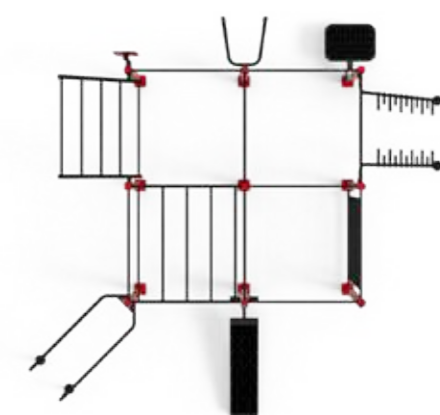


DIMENSIONS

W	579 cm	H	320 cm	Surface	35 sqm	N. of users	17
L	601 cm	Wt	522 kg	Suggested training space	62,5 sqm	Delivery	Disassembled

INCLUDED ELEMENTS

CODE	DESCRIPTION	Q.TY
4GRCC003	DIPS MODULE - OUTDOOR	1
4GRCC004	STEP UP BOARD MODULE - OUTDOOR	1
4GRCC002	AB BENCH MODULE - OUTDOOR	1
4GRCC005	PARALLEL BARS MODULE - OUTDOOR	1
4GRCC001	BASE COLUMN MODULE - OUTDOOR	3
4GRCC007	VERTICAL SCALE MODULE - OUTDOOR	1
4GRCC008	BALL TARGET MODULE - OUTDOOR	1
7STCC019V	INCLINED SCALE MODULE - OUTDOOR	1
4GRCC009	INCLINED PLANE MODULE - OUTDOOR	1
7STCC018V	CROSSBAR L.1450 - OUTDOOR	7
7STCC020V	HORIZONTAL SCALE MODULE L.1450 - OUTDOOR	1



* BARBELL AND FUNCTIONAL ACCESSORIES NOT INCLUDED



DFC 812 OUTDOOR RIG

1CC009*

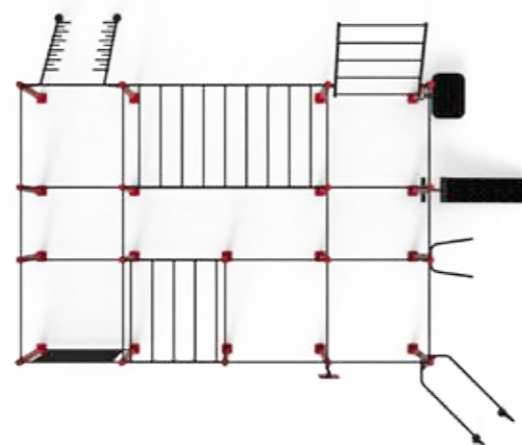


DIMENSIONS

W	710 cm	H	320 cm	Surface	57,5 sqm	N. of users	30
L	812 cm	Wt	809 kg	Suggested training space	90 sqm	Delivery	Disassembled

INCLUDED ELEMENTS

CODE	DESCRIPTION	Q.TY
4GRCC007	VERTICAL SCALE MODULE - OUTDOOR	1
4GRCC001	BASE COLUMN MODULE - OUTDOOR	10
4GRCC005	PARALLEL BARS MODULE - OUTDOOR	1
4GRCC003	DIPS MODULE - OUTDOOR	1
4GRCC004	STEP UP BOARD MODULE - OUTDOOR	1
4GRCC002	AB BENCH MODULE - OUTDOOR	1
4GRCC006	SQUAT MODULE - OUTDOOR	1
4GRCC008	BALL TARGET MODULE - OUTDOOR	1
7STCC020V	HORIZONTAL SCALE MODULE L.1450 - OUTDOOR	1
7STCC017V	HORIZONTAL SCALE MODULE L.2980 - OUTDOOR	1
4GRCC009	INCLINED PLANE MODULE - OUTDOOR	1
7STCC019V	INCLINED SCALE MODULE - OUTDOOR	1
7STCC018V	CROSSBAR L.1450 - OUTDOOR	16
7STCC015V	CROSSBAR L.1000 - OUTDOOR	3



* BARBELL AND FUNCTIONAL ACCESSORIES NOT INCLUDED

DFC 615 OUTDOOR CORNER

1CC010*

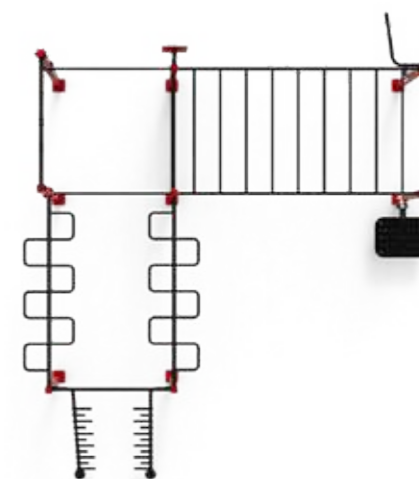


DIMENSIONS

W	526 cm	H	416 cm	Surface	32 sqm	N. of users	14
L	615 cm	Wt	450 kg	Suggested training space	59 sqm	Delivery	Disassembled

INCLUDED ELEMENTS

CODE	DESCRIPTION	Q.TY
4GRCC001	BASE COLUMN MODULE - OUTDOOR	2
4GRCC009	INCLINED PLANE MODULE - OUTDOOR	1
7STCC016V	SNAKE CROSSBAR L.2320 - OUTDOOR	2
7STCC018V	CROSSBAR L.1450 - OUTDOOR	3
4GRCC010	CLIMBING COLUMN MODULE - OUTDOOR	2
4GRCC011	CLIMBING CROSSBAR MODULE - OUTDOOR	1
4GRCC007	VERTICAL SCALE MODULE - OUTDOOR	1
4GRCC003	DIPS MODULE - OUTDOOR	1
4GRCC004	STEP UP BOARD MODULE - OUTDOOR	1
7STCC017V	HORIZONTAL SCALE MODULE L.2980 - OUTDOOR	1
4GRCC008	BALL TARGET MODULE - OUTDOOR	1



* BARBELL AND FUNCTIONAL ACCESSORIES NOT INCLUDED



DFC 776 OUTDOOR CLIMB TOWER

1CC011*

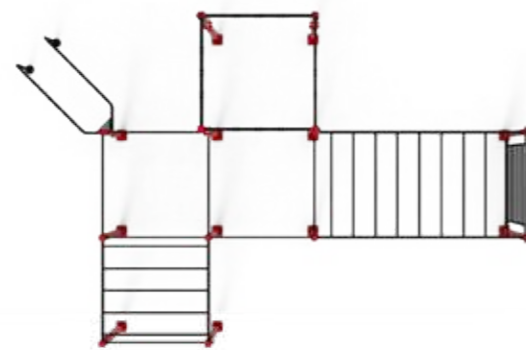


DIMENSIONS

W	476 cm	H	416 cm	Surface	37,5 sqm	N. of users	15
L	776 cm	Wt	522 kg	Suggested training space	66,5 sqm	Delivery	Disassembled

INCLUDED ELEMENTS

CODE	DESCRIPTION	Q.TY
4GRCC001	BASE COLUMN MODULE - OUTDOOR	5
4GRCC007	VERTICAL SCALE MODULE - OUTDOOR	1
4GRCC005	PARALLEL BARS MODULE - OUTDOOR	1
4GRCC010	CLIMBING COLUMN MODULE - OUTDOOR	4
4GRCC011	CLIMBING CROSSBAR MODULE - OUTDOOR	4
7STCC020V	HORIZONTAL SCALE MODULE L.1450 - OUTDOOR	1
7STCC017V	HORIZONTAL SCALE MODULE L.2980 - OUTDOOR	1
7STCC018V	CROSSBAR L.1450 - OUTDOOR	7



* BARBELL AND FUNCTIONAL ACCESSORIES NOT INCLUDED

DFC 1098 OUTDOOR ALL-AROUND

1CC012*

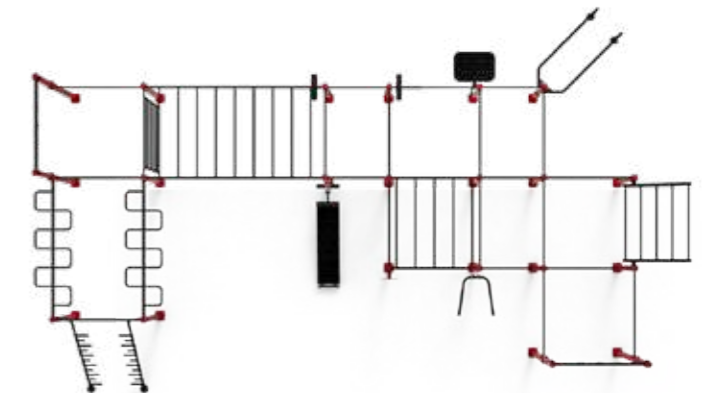


DIMENSIONS

W	688 cm	H	416 cm	Surface	76 sqm	N. of users	34
L	1098 cm	Wt	974 kg	Suggested training space	105 sqm	Delivery	Disassembled

INCLUDED ELEMENTS

CODE	DESCRIPTION	Q.TY
4GRCC001	BASE COLUMN MODULE - OUTDOOR	9
4GRCC009	INCLINED PLANE MODULE - OUTDOOR	1
7STCC016V	SNAKE CROSSBAR L.2320 - OUTDOOR	2
7STCC018V	CROSSBAR L.1450 - OUTDOOR	14
4GRCC010	CLIMBING COLUMN MODULE - OUTDOOR	4
4GRCC011	CLIMBING CROSSBAR MODULE - OUTDOOR	2
4GRCC007	VERTICAL SCALE MODULE - OUTDOOR	1
7STCC017V	HORIZONTAL SCALE MODULE L.2980 - OUTDOOR	1
4GRCC006	SQUAT MODULE - OUTDOOR	1
4GRCC002	AB BENCH MODULE - OUTDOOR	1
7STCC015V	CROSSBAR L.1000 - OUTDOOR	4
4GRCC003	DIPS MODULE - OUTDOOR	1
4GRCC004	STEP UP BOARD MODULE - OUTDOOR	1
4GRCC005	PARALLEL BARS MODULE - OUTDOOR	1
7STCC020V	HORIZONTAL SCALE MODULE L.1450 - OUTDOOR	1
4GRCC008	BALL TARGET MODULE - OUTDOOR	1
7STCC019V	INCLINED SCALE MODULE - OUTDOOR	1



* BARBELL AND FUNCTIONAL ACCESSORIES NOT INCLUDED

DFC / OUTDOOR ELEMENTS

260

FUNCTIONAL - DFC OUTDOOR

4GRCC001

BASE COLUMN - OUTDOOR



DIMENSIONS

W 17 cm H 256 cm
L 17 cm Wt 20 kg

4GRCC002

AB BENCH MODULE - OUTDOOR



DIMENSIONS

W 41 cm H 256 cm
L 198 cm Wt 67 kg

4GRCC003

DIPS MODULE - OUTDOOR



DIMENSIONS

W 64 cm H 256 cm
L 92 cm Wt 37 kg

7STCC015V

CROSSBAR L 1000 - OUTDOOR



DIMENSIONS

W 6 cm H 15 cm
L 100 cm Wt 3 kg

7STCC016V

SNAKE CROSSBAR L 2320 - OUTDOOR



DIMENSIONS

W 63 cm H 15 cm
L 232 cm Wt 22 kg

7STCC017V

HORIZONTAL SCALE MODULE L 2980 OUTDOOR



DIMENSIONS

W 151 cm H 15 cm
L 298 cm Wt 52 kg

4GRCC004

STEP-UP BOARD MODULE - OUTDOOR



DIMENSIONS

W 74 cm H 256 cm
L 88 cm Wt 52 kg

4GRCC005

PARALLEL BARS MODULE - OUTDOOR



DIMENSIONS

W 74 cm H 256 cm
L 197 cm Wt 63 kg

4GRCC006

SQUAT MODULE - OUTDOOR



DIMENSIONS

W 20 cm H 256 cm
L 125 cm Wt 54 kg

7STCC018V

CROSSBAR L 1450 - OUTDOOR



DIMENSIONS

W 6 cm H 15 cm
L 145 cm Wt 4 kg

7STCC019V

SCALA SCALE - OUTDOOR



DIMENSIONS

W 140 cm H 27 cm
L 159 cm Wt 36 kg

7STCC020V

HORIZONTAL SCALE MODULE L 1450 OUTDOOR



DIMENSIONS

W 151 cm H 15 cm
L 145 cm Wt 28 kg

4GRCC007

VERTICAL SCALE MODULE - OUTDOOR



DIMENSIONS

W 17 cm H 256 cm
L 170 cm Wt 79 kg

4GRCC008

BALL TARGET MODULE - OUTDOOR

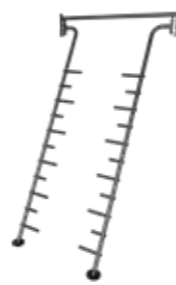


DIMENSIONS

W 13 cm H 90 cm
L 30 cm Wt 10 kg

4GRCC009

INCLINED PLANE MODULE - OUTDOOR



DIMENSIONS

W 140 cm H 247 cm
L 145 cm Wt 49 kg

4GRCC010

CLIMBING COLUMN MODULE - OUTDOOR



DIMENSIONS

W 17 cm H 416 cm
L 17 cm Wt 34 kg

4GRCC011

CLIMBING CROSSBAR MODULE - OUTDOOR



DIMENSIONS

W 7 cm H 14 cm
L 159 cm Wt 11 kg

4GRCC012

WALL FIXING KIT - OUTDOOR



DIMENSIONS

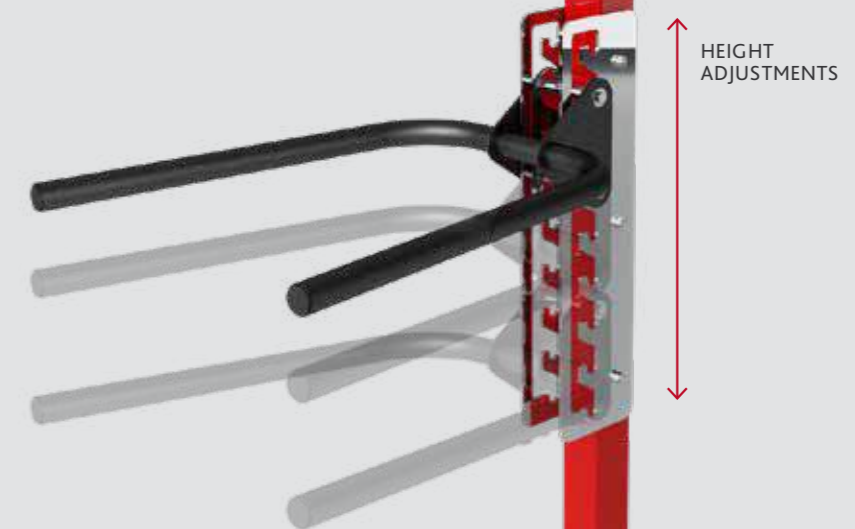
W 0,8 cm H 17 cm
L 15 cm Wt 1,5 kg

261

FUNCTIONAL - DFC OUTDOOR

PANATTA

FIXED ADJUSTMENT SYSTEM



HEIGHT ADJUSTMENTS