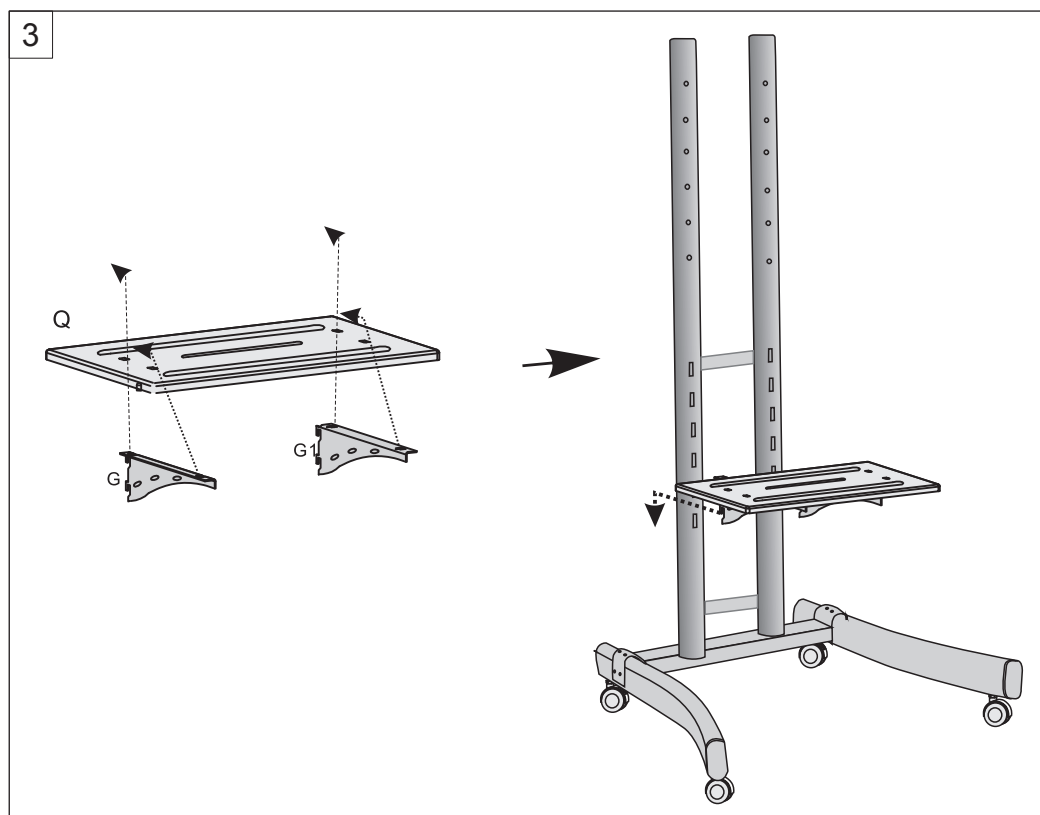
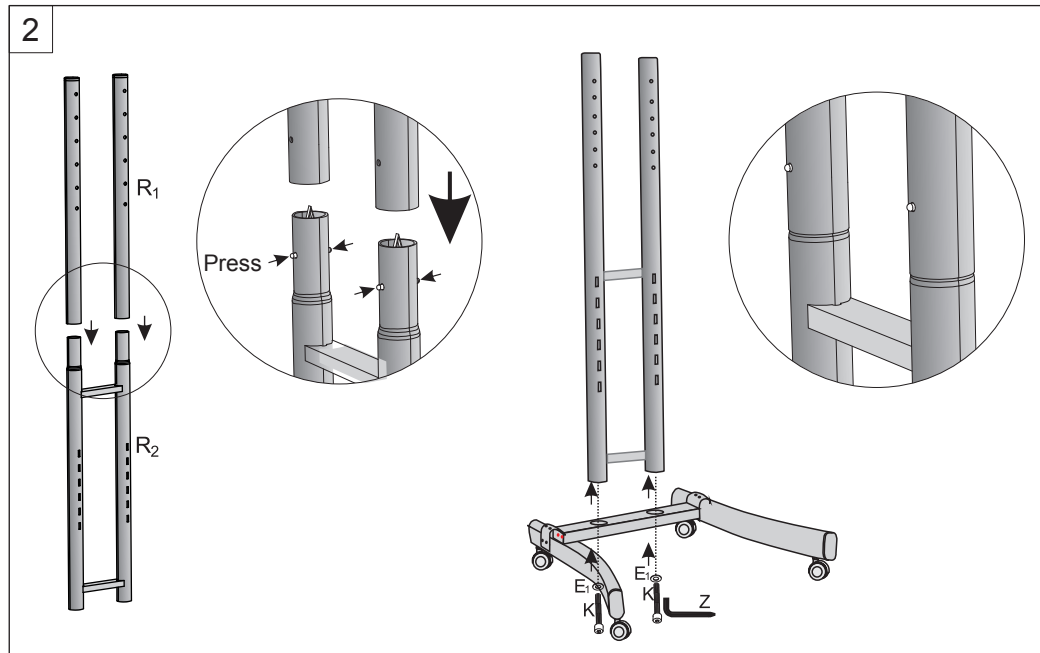
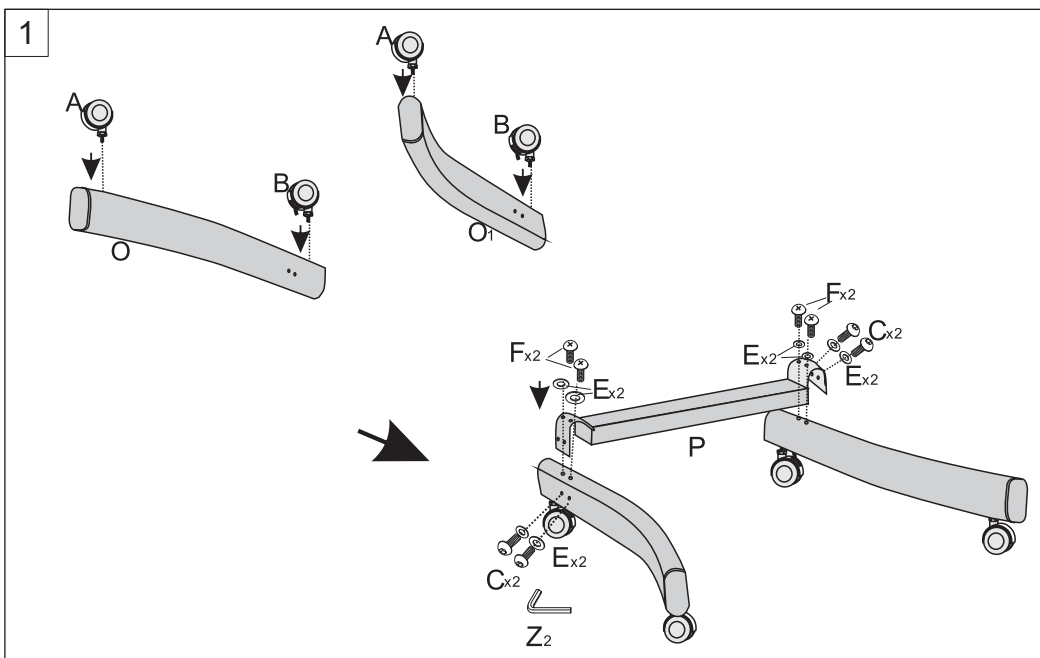


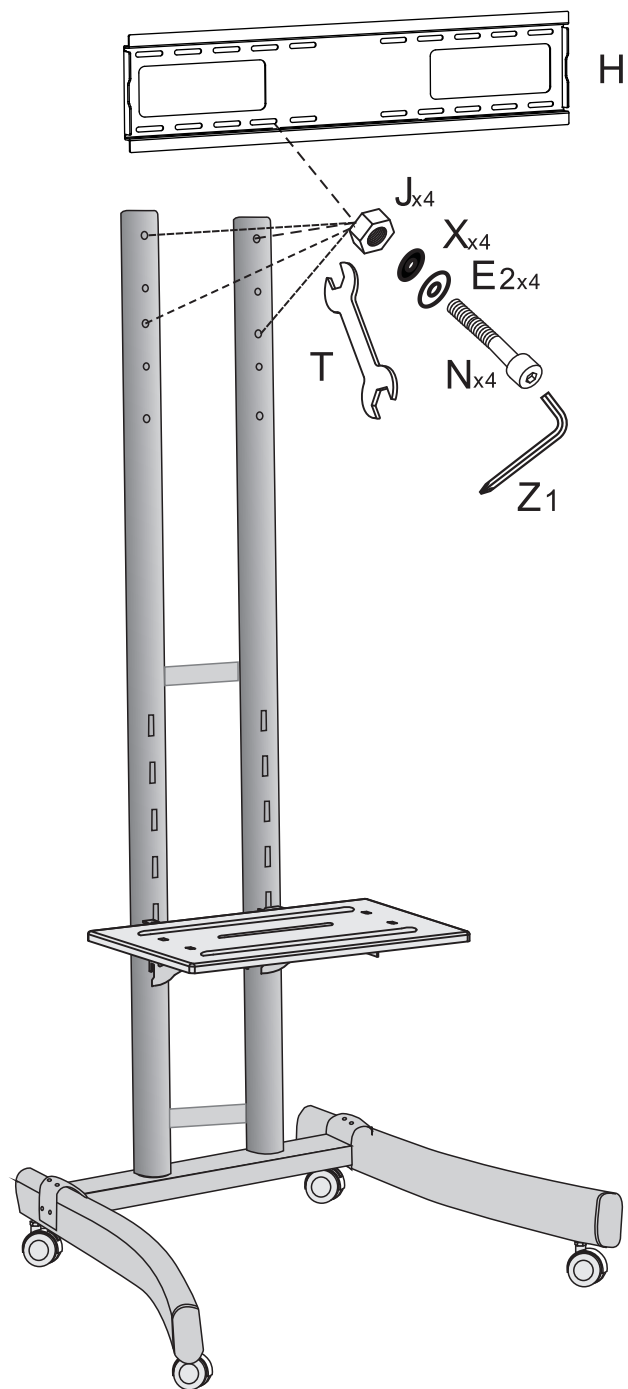
INSTALLATION INSTRUCTION

A		2	G		1	P		1			
B		2	G₁		1	Q		1			
C		M5x40	4	H		1	R₁		2		
D		1	J		Φ8	4	R₂		1		
D₁		1	K		M10x35	2	T		1		
E		Φ6	8	M		2	X		Φ10 rubber	4	
E₁		Φ10	2	N		M8x60	4	Z		8mm	1
E₂		Φ8	4	O		1	Z₁		6mm	1	
F		M5x20	4	O₁		1	Z₂		3mm	1	

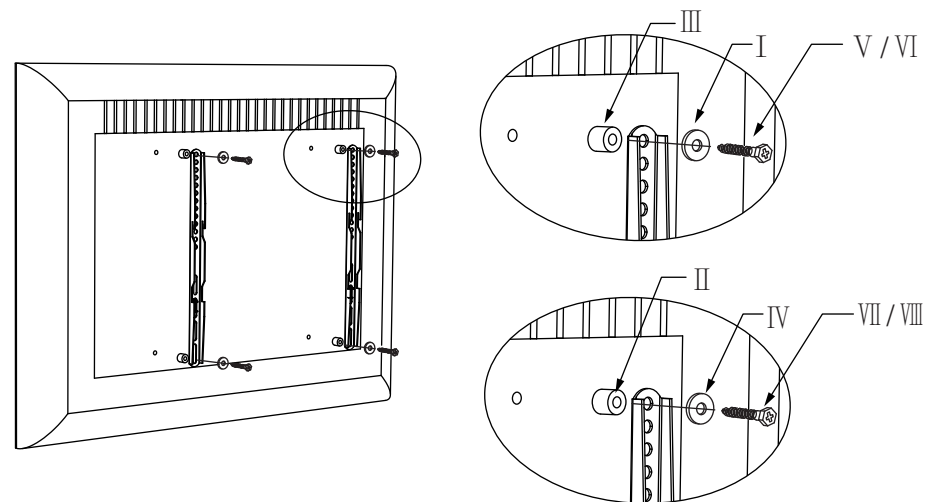
I		Φ6	4	V		M4x20	4
II		Φ8	4	VI		M5x20	4
III		10mm	4	VII		M6x25	4
IV		12mm	4	VIII		M8x25	4



4



5



6

