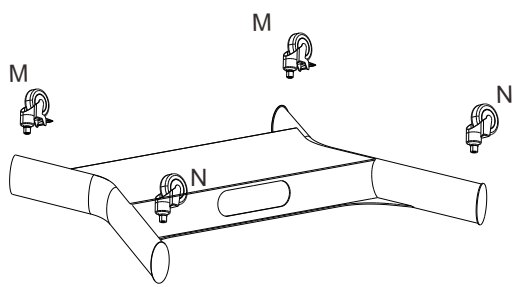
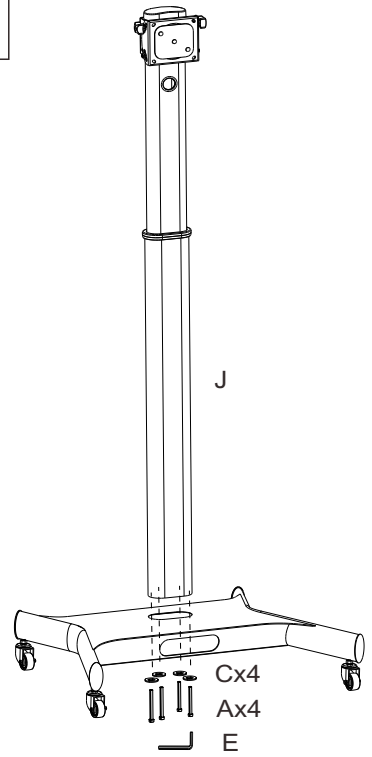


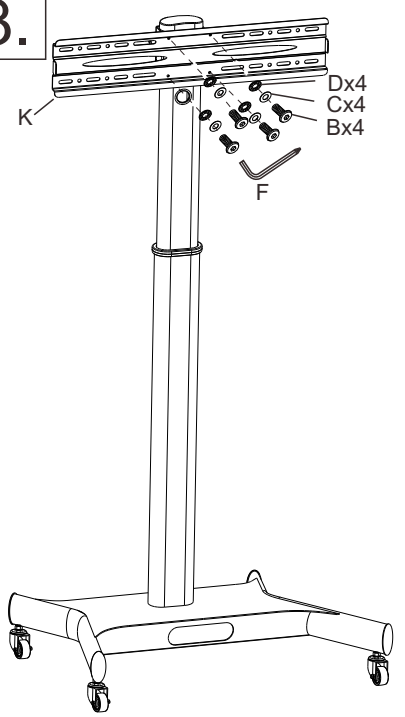
1.



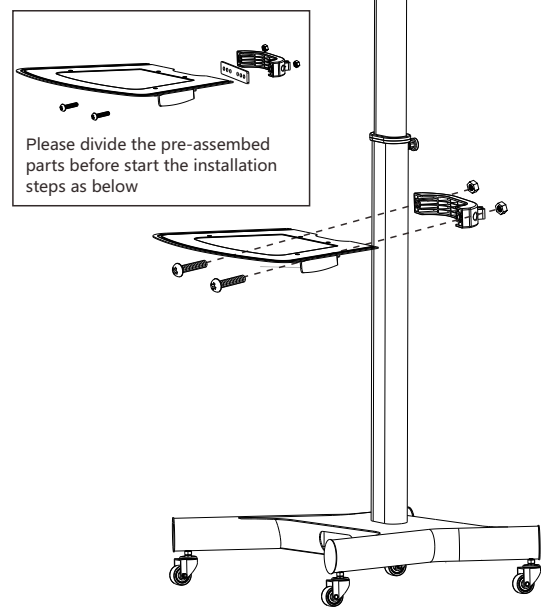
2.



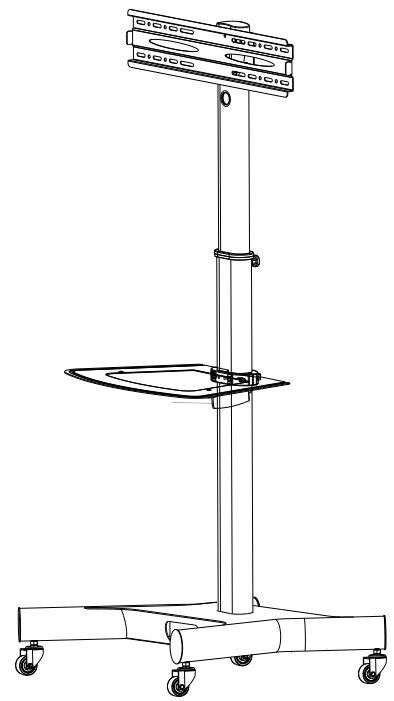
3.



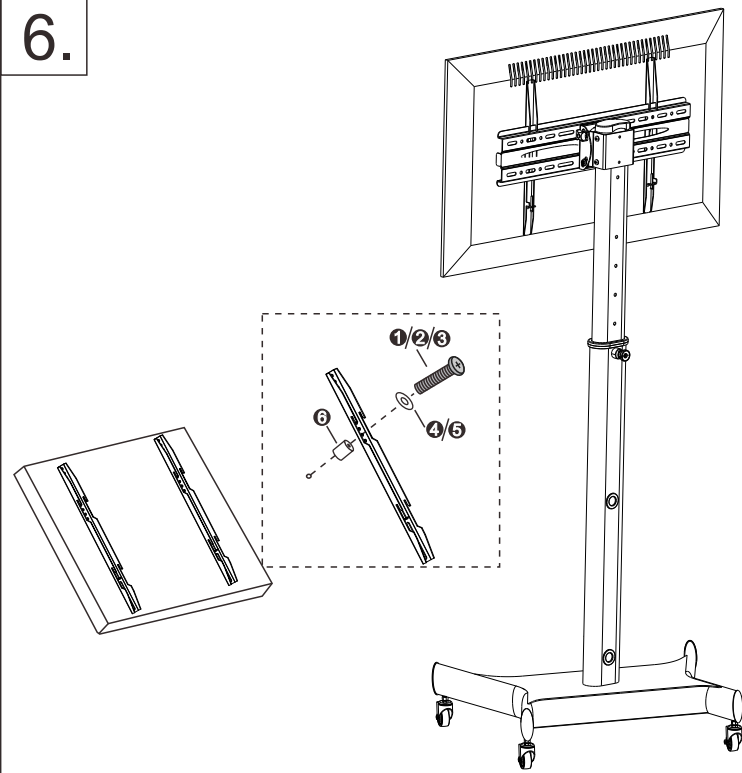
4.



5.



6.



Assembly screws:

| | | | | | |
|---|--|------------|---|---------------------|---------|
| A | | M8X50 | 4 | TV Hardware Needed: | |
| B | | M8X14 | 4 | ① | M8X25 4 |
| C | | D8 | 8 | ② | M6X22 4 |
| D | | D10 rubber | 4 | ③ | M4X20 4 |
| E | | 6mm | 1 | ④ | D6 4 |
| F | | 5mm | 1 | ⑤ | D5 4 |
| G | | 4mm | 1 | ⑥ | 4 |
| H | | | 2 | ⑦ | 1 |
| I | | | 1 | | |
| J | | | 1 | | |
| K | | | 1 | | |
| L | | | 1 | | |
| M | | | 2 | | |
| N | | | 2 | | |