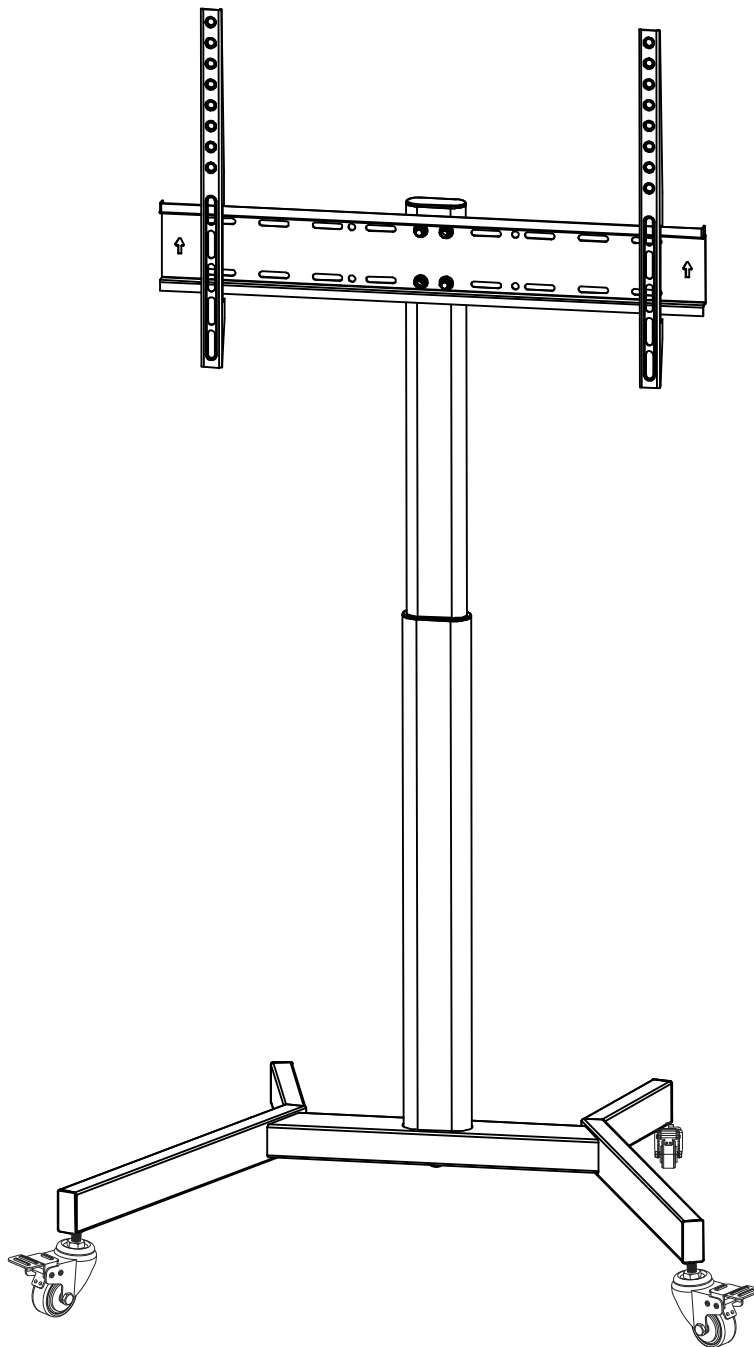


1

REV:01

DQ
WALL-SUPPORT



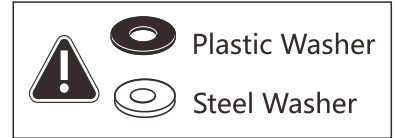
100x100 100x400
100x200 200x400
200x200 300x400
200x300 400x400
300x300 400x600



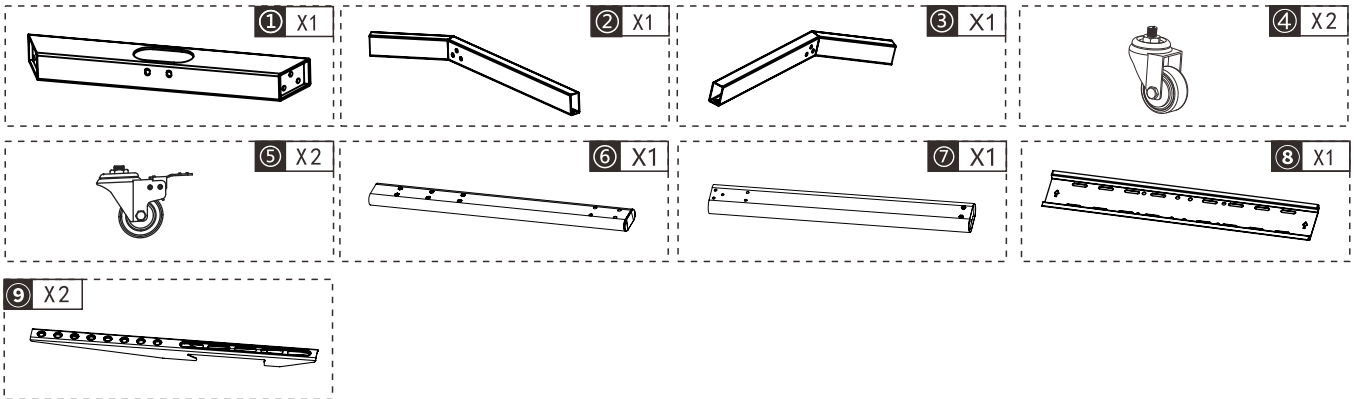
CAUTION: DO NOT EXCEED
RATED LISTED WEIGHT. SERIOUS
INJURY OR PROPERTY DAMAGE
MAY OCCUR!

DQ17-1205

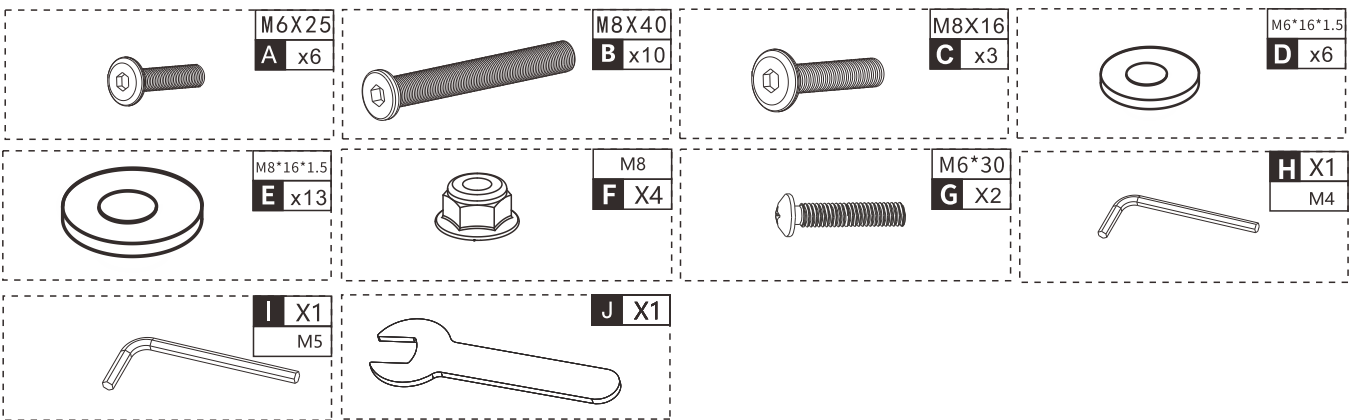
PART LIST



PART A

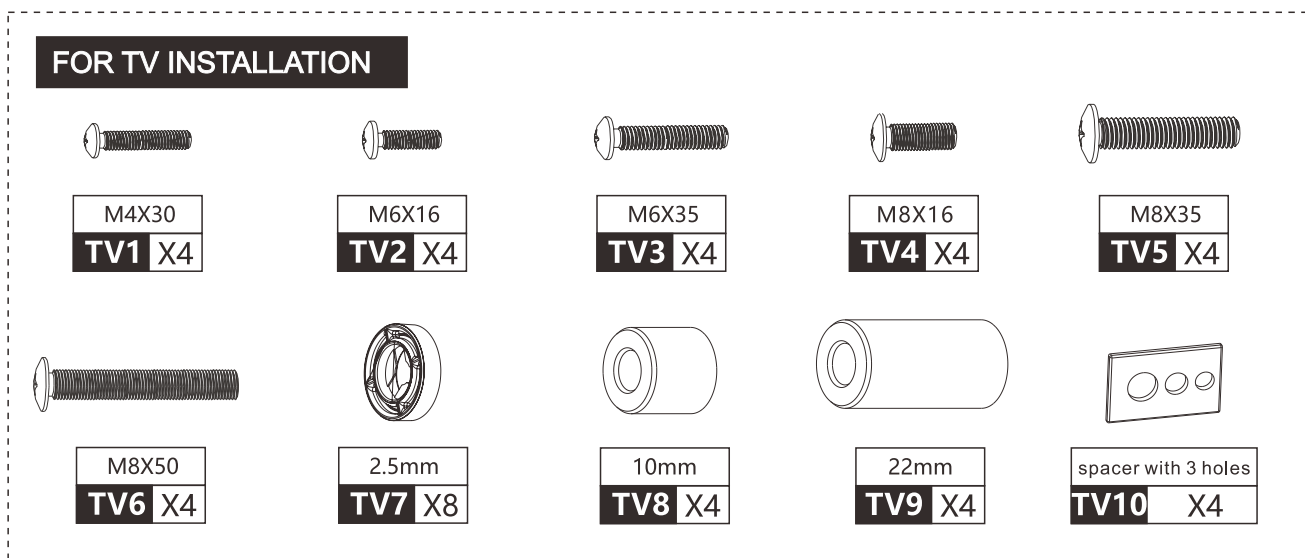


PART B

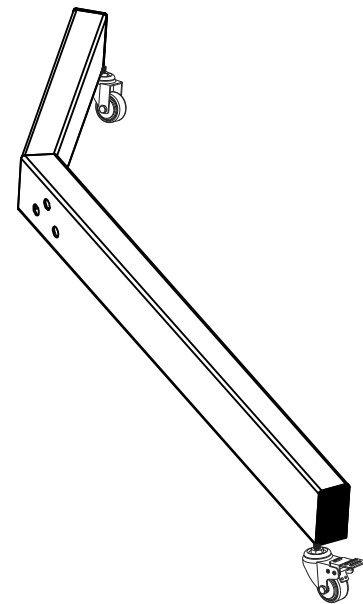
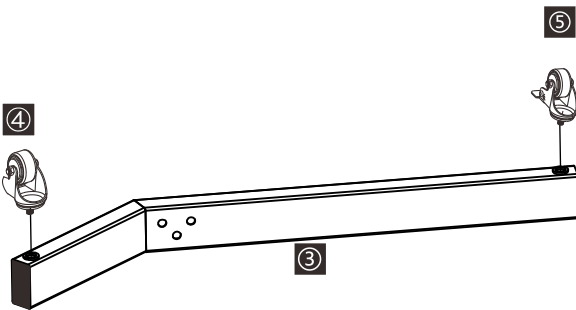
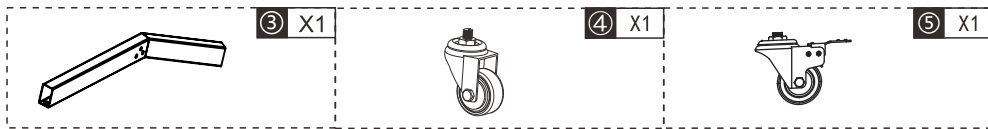
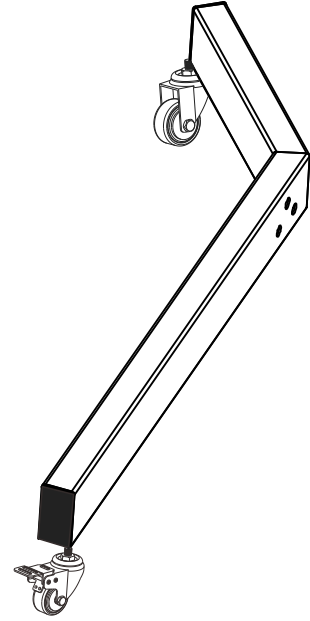
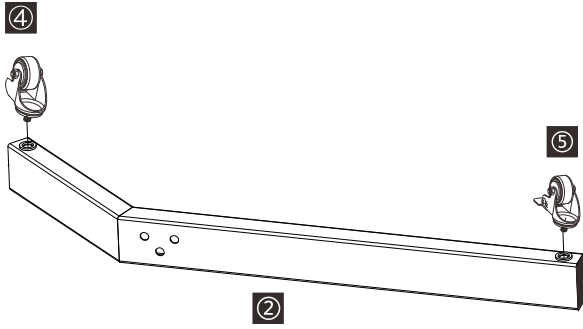
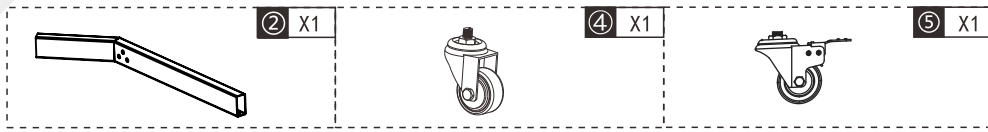


PART C

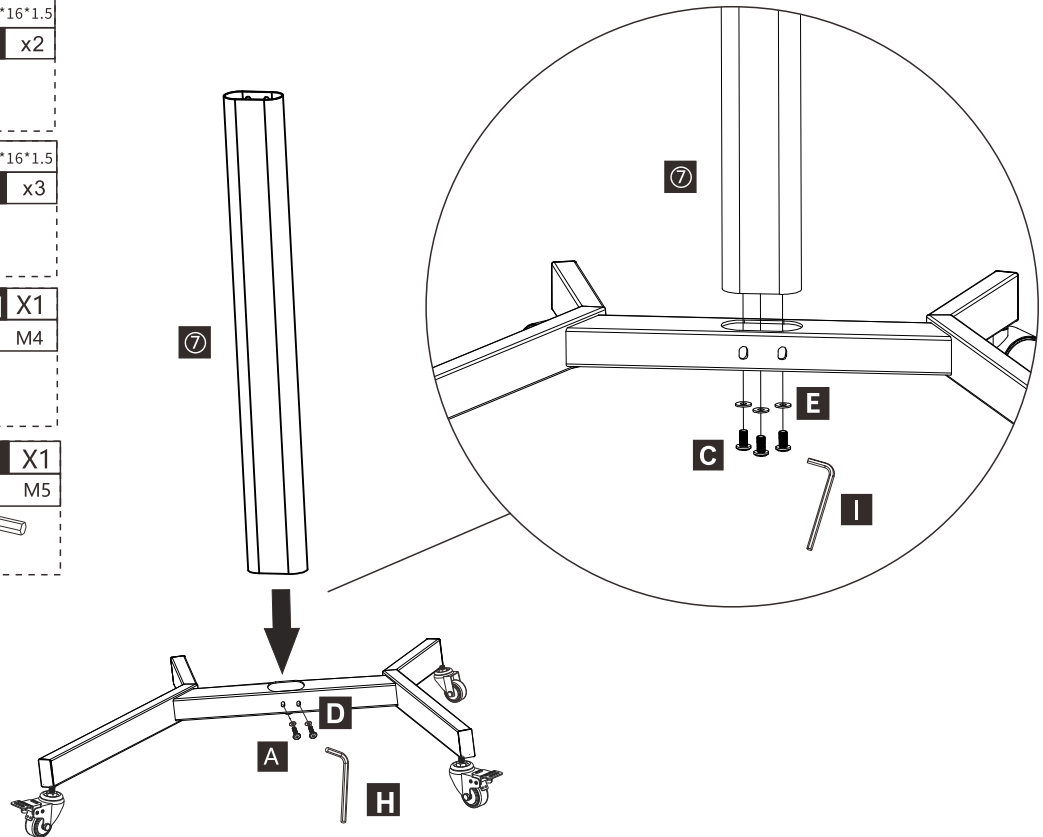
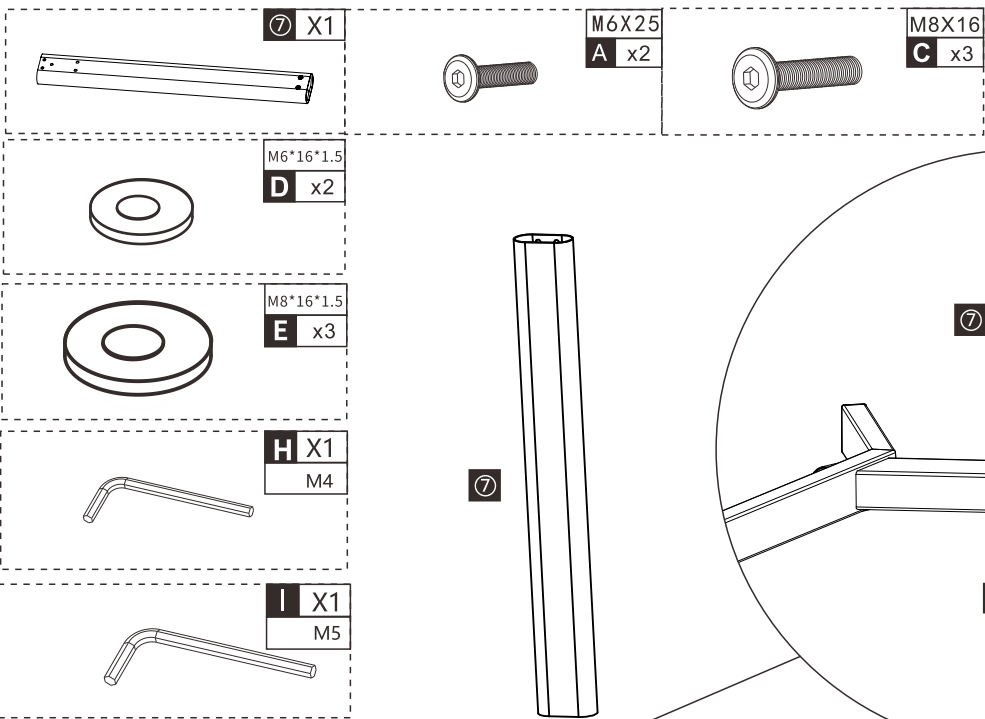
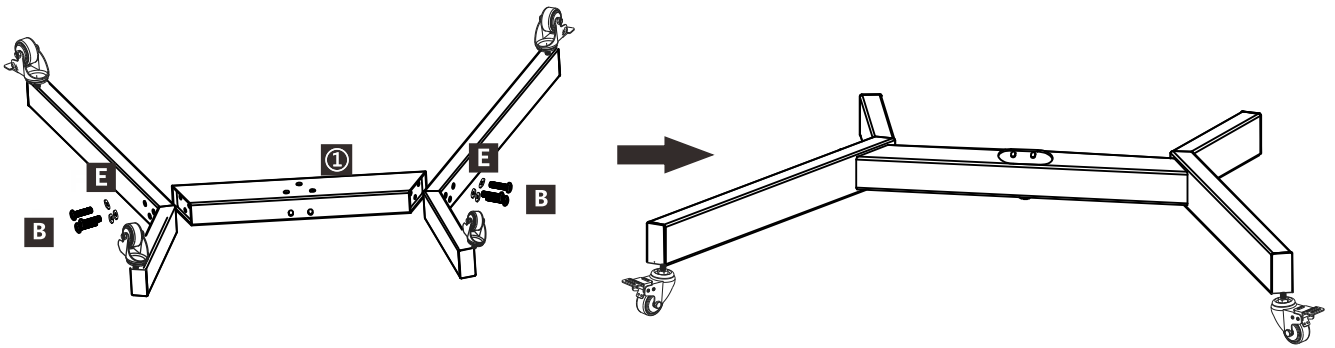
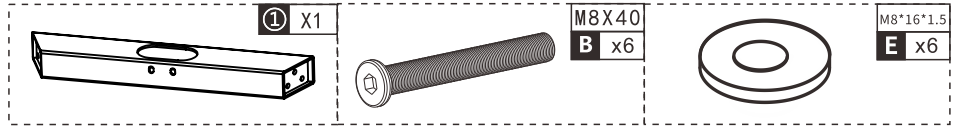
FOR TV INSTALLATION



3

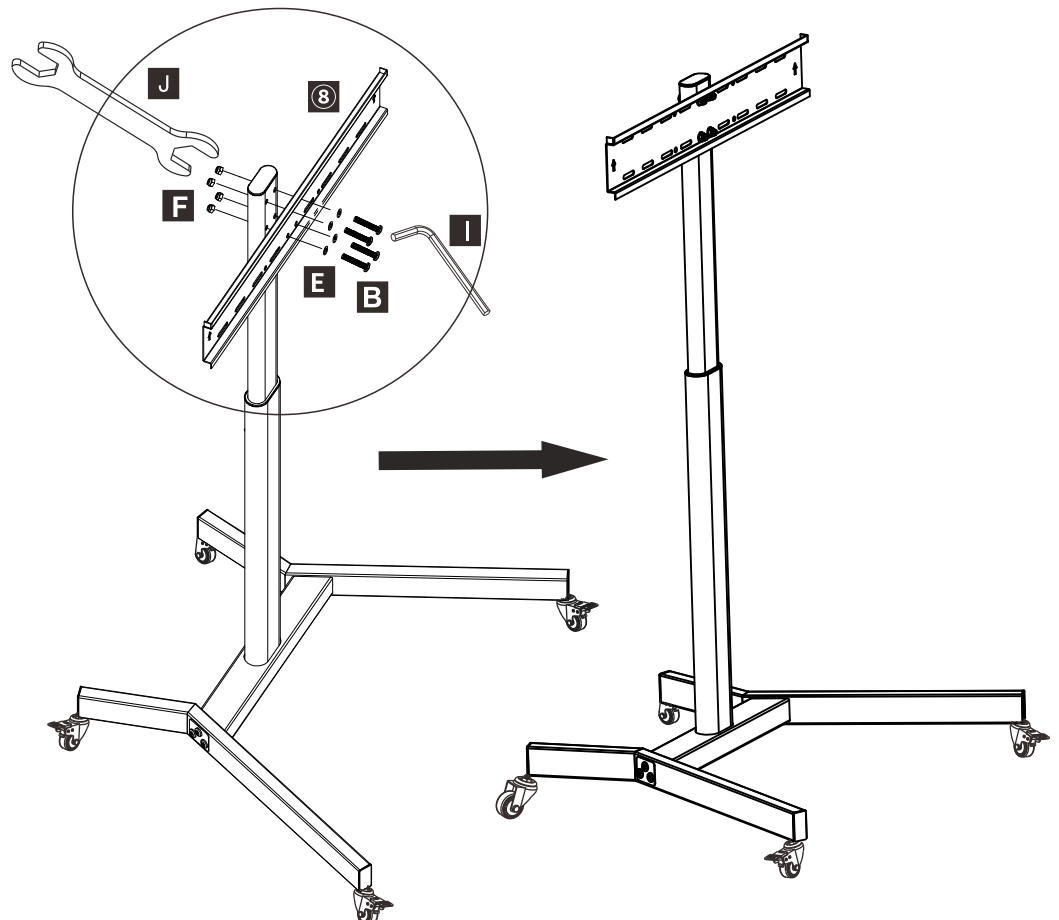
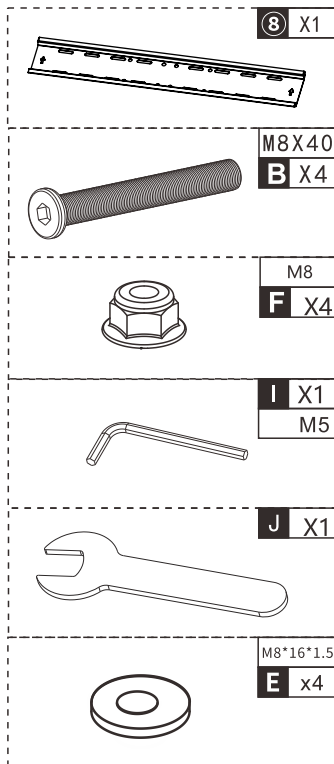
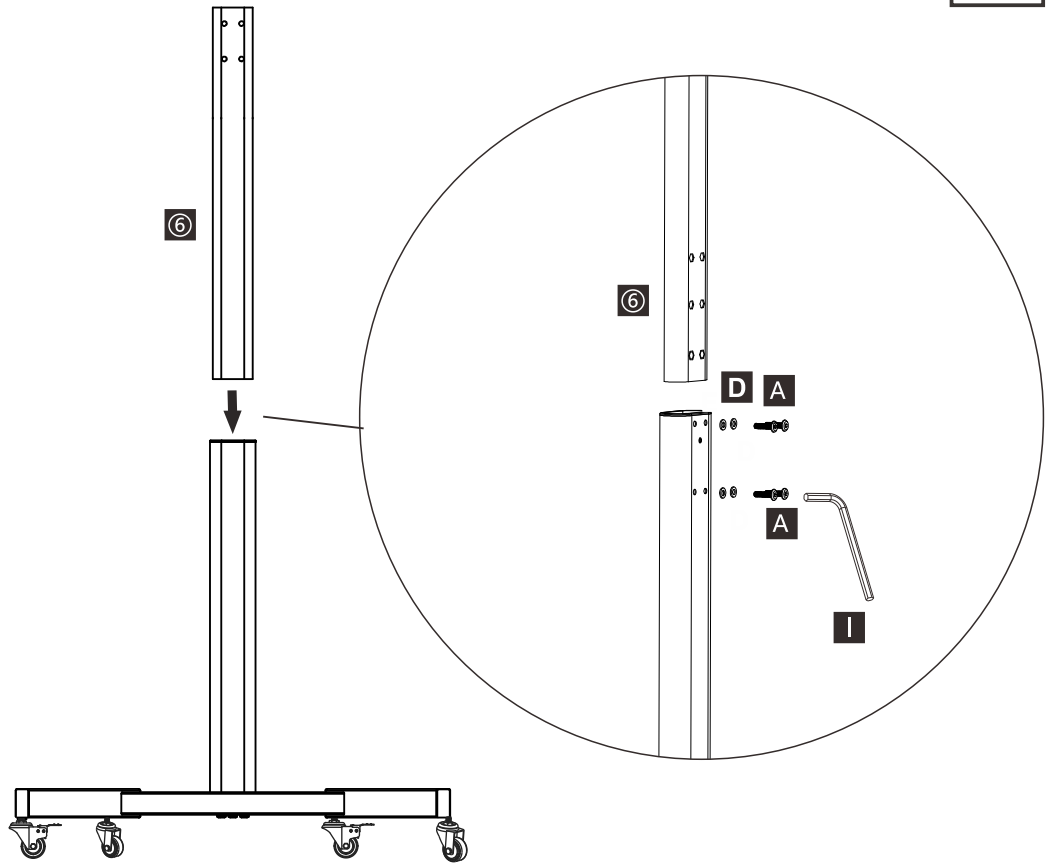
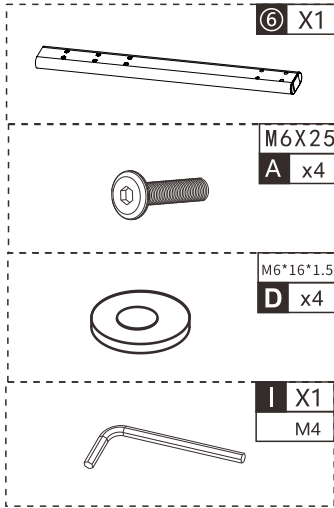


4



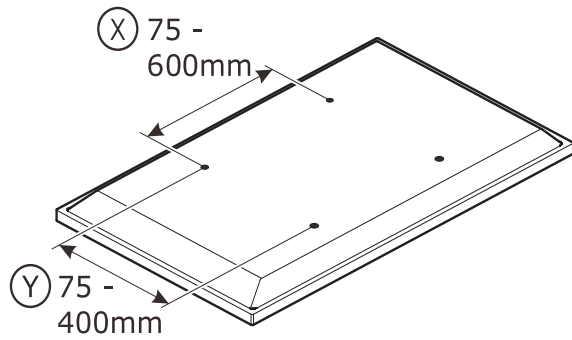
5

NOT INCLUDED

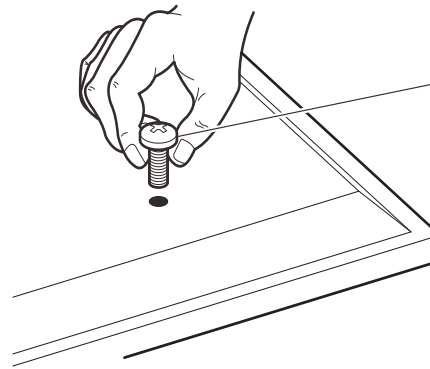


6

Measure the TV fixing holes Width and Height



If width (X) is greater than 600mm or height (Y) greater than 400mm STOP installation now and contact the customer help line



TV1-TV2

TV3-TV4

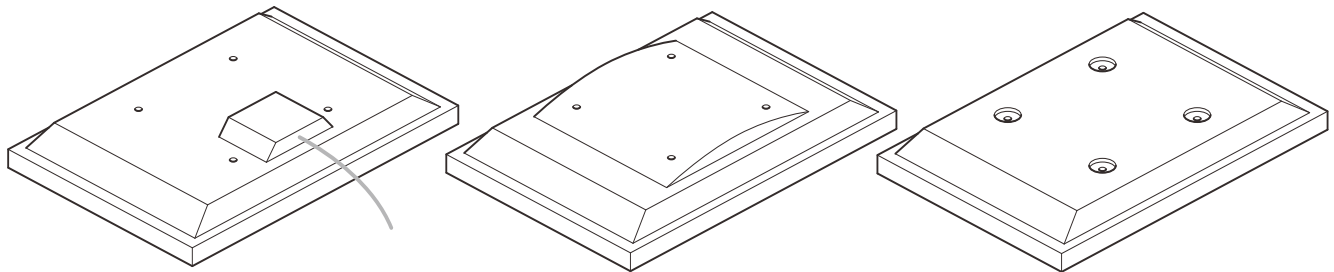
TV5-TV6

You are provided with 4 diameters of TV fixing screws, **M4**, **M6** and **M8**. Determine the screw diameter that fits.

Spacers

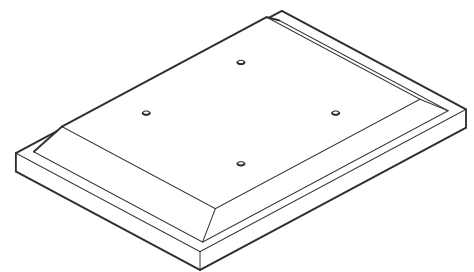
SP

For TVs with irregular/obstructed back



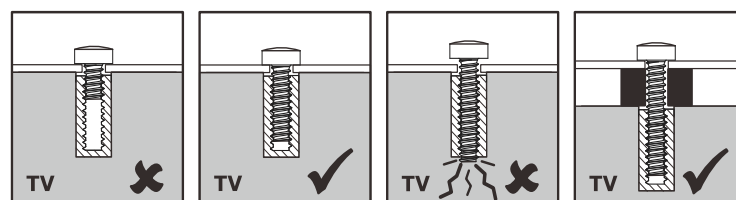
No Spacers

For TVs with flat/unobstructed back



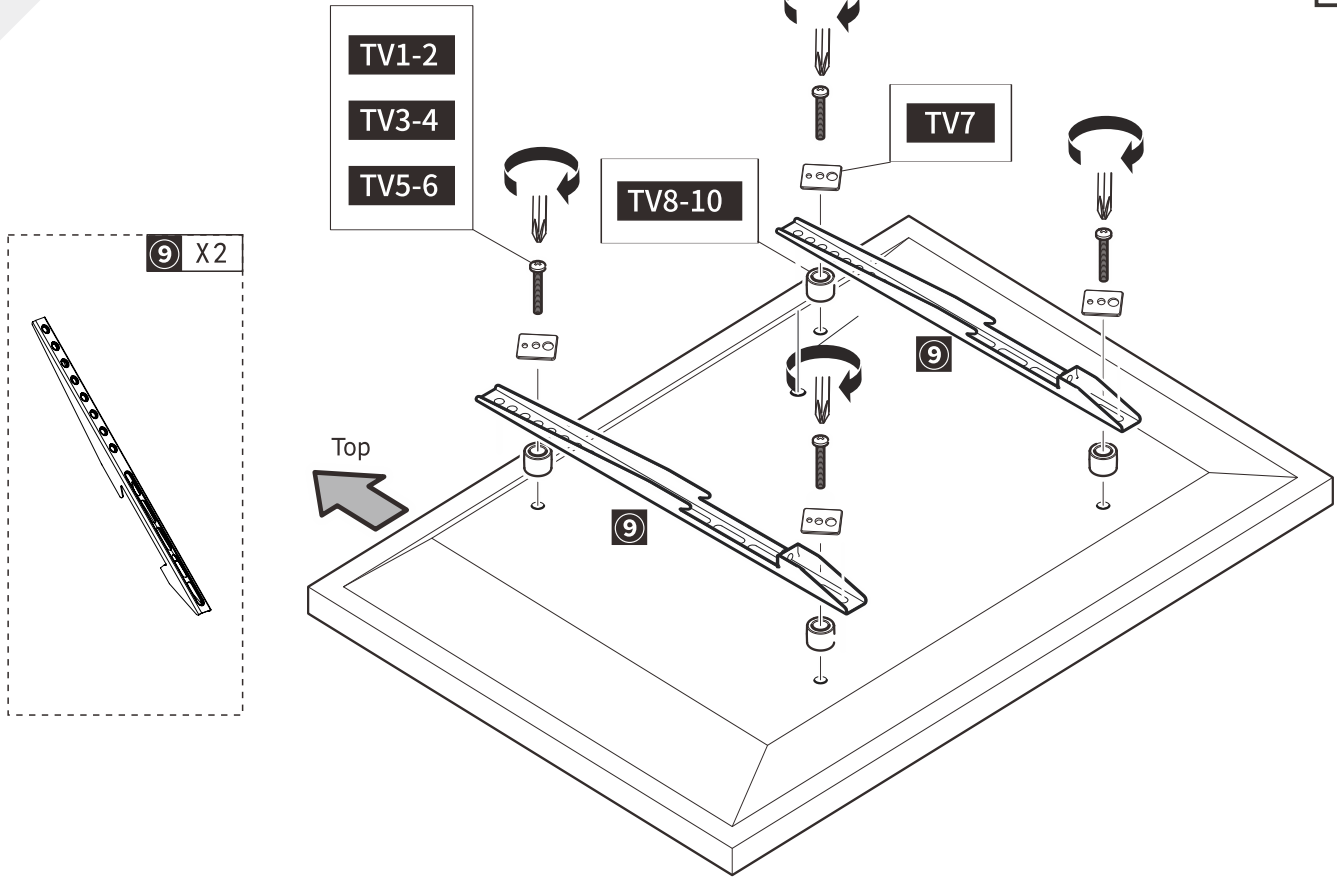
WARNING

please keep for future reference.



7

NOT INCLUDED



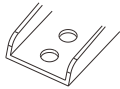
M4
TV1-2 X4

+



spacer with 3 holes
TV7 X4

+



+



SP1 -SP3
TV8-10
X8



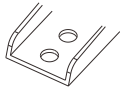
M6
TV3-4 X4

+

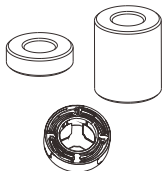


spacer with 3 holes
TV7 X4

+



+



SP1 -SP3
TV8-10
X8



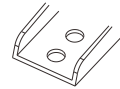
M8
TV5-6 X4

+

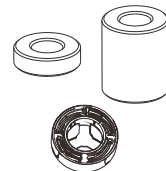


spacer with 3 holes
TV7 X4

+



+



SP1 -SP3
TV8-10
X8



Attach the bracket to the back of your TV using suitable screw, reducer and spacer combinations.

NOT INCLUDED

