



Philips Domestic Appliances and Personal Care

Service Manual

PRODUCT INFORMATION

Features:

- Full body tanning
- 24 Philips Cleo Performance S tanning tubes
- HPA facial unit
- 30 minute timer with auto-shut-off
- Integrated Body-Cooling
- Stereo Active Speakers
- 2 pair of safety goggles
- This tanning appliance has also been fitted with a scent unit. The scent granules required for this unit can be ordered as service part (see parts list).

Safety:

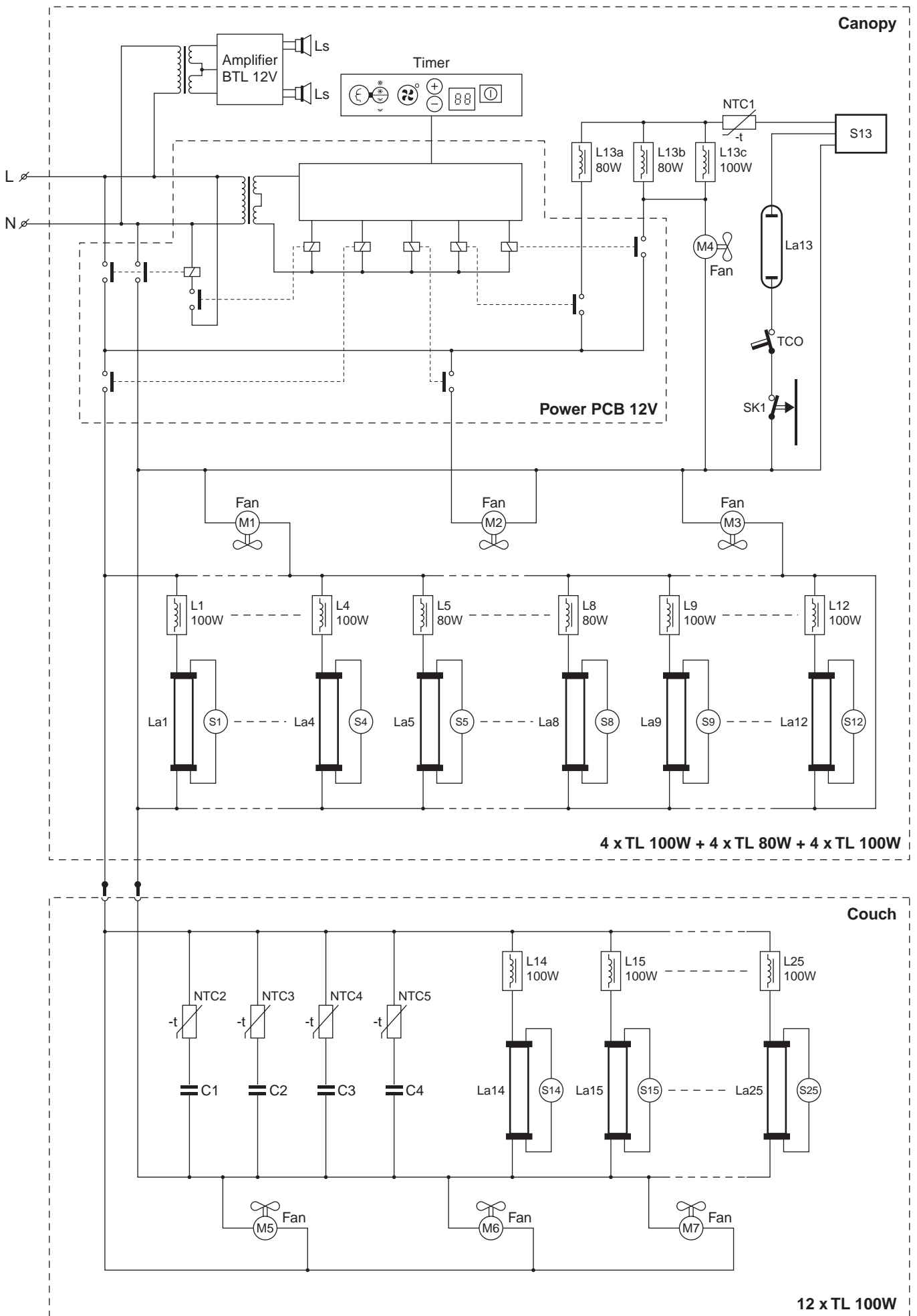
- This product meets the requirements regarding interference suppression on radio and TV.
- After the product has been repaired, it should function properly and has to meet the safety requirements as officially laid down at this moment.

TECHNICAL INFORMATION

- Input consumption : approx. 2700 W / 230 V / 50 Hz
- Lamps couch : 12 x TL Cleo Performance 100 W-S
- Lamps canopy : 8 x TL Cleo Performance 100 W-S
4 x TL Cleo Performance 80 W-S
- Lamp facial : 1 x HPA HP400SH
- Starters : 24 x S12
- Starter facial : 1 x HPA starter
- Ballasts : 21 x 100 W / 230 V
6 x 80 W / 230 V
- Timer : 1 x 30 mins - digital
- Radiation area : 174 x 58 cm
- Protecting goggles : HB071 - 4822 690 80123
- Output UVX36 meter : > 5.6 mW/cm² (couch)
> 6.0 mW/cm² at 20 cm (canopy)
Measuring with the body cooler switched off

OPTIONAL (accessories)

- No specific issues



- Interchange starters, lamps or ballasts to establish whether they are defective.
- If they are not defective, check the internal wiring, especially that connected to the lamp holders.
- The snap-on connections of the wiring can be detached by means of a paperclip.
- Premature blackening of a tube end points to a defective starter or a wiring fault.
- A burned NTC resistor or overheated wiring points to a wiring fault at the connecting block.
- The acrylic sheets can be cleaned with a moist cloth and some washing-up liquid.
Avoid the use of alcohol, alcohol-based cleaners, petrol, acetone or abrasives.
These substances can cause irreparable damage to the sheets.

CANOPY

Replacement of lamps/starters (items 3, 5 and 28)

- Loosen the screws (item 25) and remove the end covers (item 10).
- Pull the acrylic sheet (item 27) out of the appliance.
- Now the lamps/starters can be replaced.

Disassembly of gas spring (item 26)

- Fold the canopy up and have a second person lock it in this position.
- Undo two nuts on either side and take the gas spring out of the hinged parts.

Disassembly of fan (item 30)

- Unlock the clamps of the fan cover (item 20).
- Loosen the screws (item 25) and remove the end covers (item 10).
- Loosen the top cover (item 23).
- Now the fan can be replaced.

Disassembly of hinge (items 31, 32 and 33)

- Unlock the clamps of the hinge cover with a screwdriver.
- Loosen the screw (A).
- Ask a second person to depress the locks of the bearing bush (item 33) with two small screwdrivers.
- Position yourself on the other side of the appliance and press the couch with your foot while pulling the canopy slightly (approx. 5 mm) towards you to deactivate the lock.
- Repeat this procedure at the other hinge.
- Now you and the other person should position yourselves at opposite ends of the appliance. Lift the canopy from the stand by pulling at it.
- Place the canopy on a soft surface.
- Remove the lock spring (item 32)
- Tap the bearing bush off the shaft with a plastic hammer.

Disassembly of facial unit (item 44)

- Remove the fan, the end covers and the top cover.
- Contrary to what is indicated in the exploded view, a complete reflector unit with filter glass mounted in a metal frame is supplied as item 44.

COUCH

Replacement of lamps and starters (items 3 and 5)

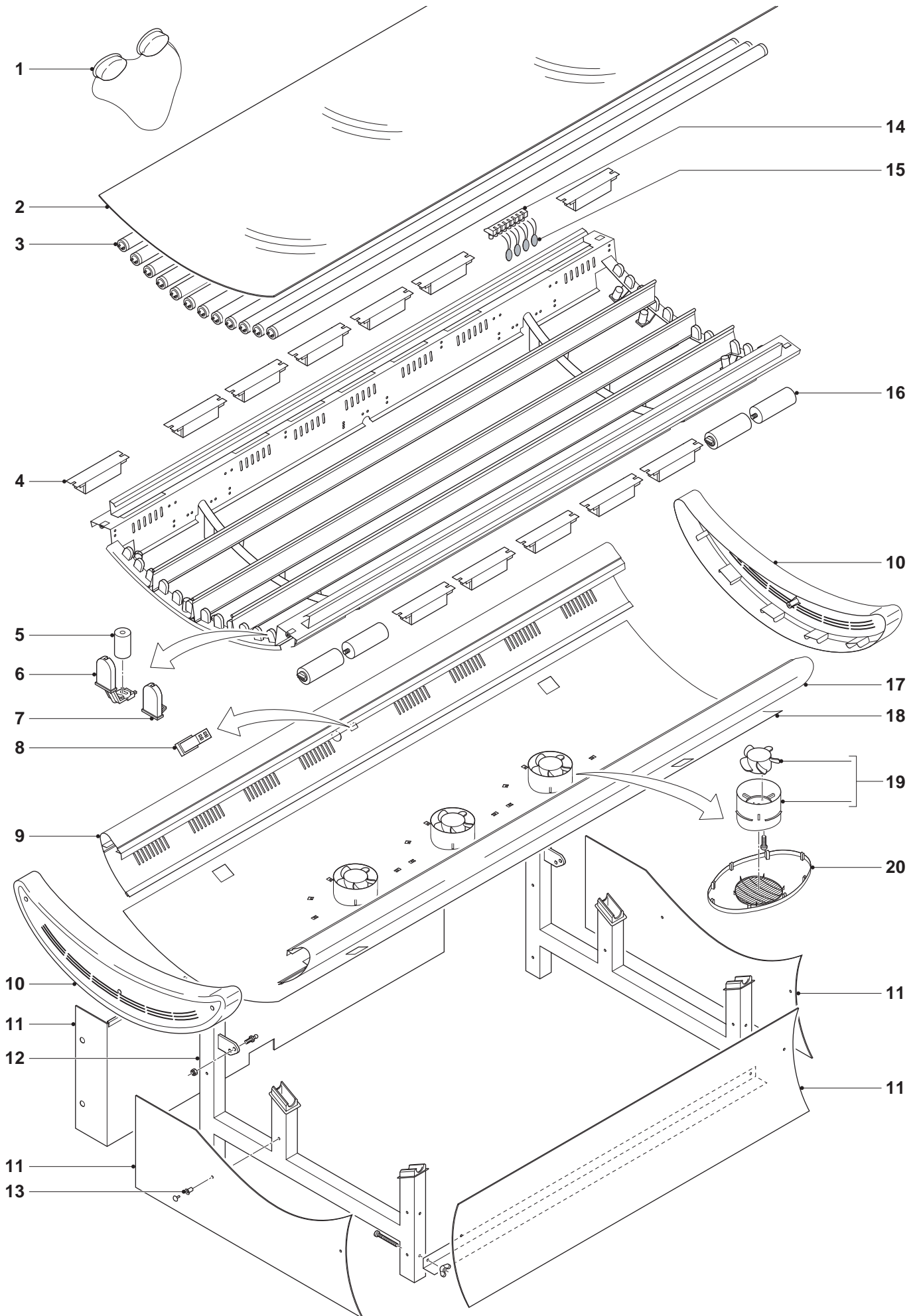
- Loosen the screws and remove the end covers (item 10).
- Pull the acrylic sheet (item 2) out of the appliance.
- Now the lamps/starters can be replaced.

Disassembly of fan (item 19)

- Put the canopy in its highest position.
- Turn the appliance on its back with help of a second person.
- Unlock the clamps of the fan cover (item 20).
- Loosen the connecting wires and pull out the fan unit (item 19).

Item	Service code	Description
1	4822 690 80123	HB 071 protecting goggles
2	9965 000 12136	Acrylic sheet couch
3	9280 043 21920	TL Cleo Performance 100 W-S
4	4822 146 10344	Ballast 100 W
5	4822 219 80258	Starter S12
6	9965 000 01933	Lamp/starter holder
7	9965 000 01934	Lamp holder
8	4822 265 10944	2-p socket
9	9965 000 40907	Rear panel couch
10	9965 000 11523	End cover
11	9965 000 40903	Set of decorative covers
12	9965 000 40904	Leg couch
13	9965 000 02712	Push rivet 6 x 9.5
14	4222 062 94570	Connector
15	4222 062 94580	NTC resistor 22 W
16	4222 062 94600	Capacitor 50 μ F/250 V
17	9965 000 40905	Front panel couch
18	9965 000 12135	Bottom cover couch
19	9965 000 40906	Fan complete couch
20	9965 000 11521	Fan cover
21	4822 321 11395	Mains flex EU
	9965 000 26208	Mains flex UK
22	4822 320 11909	Connecting cable
23	9965 000 26730	Top cover canopy
24	9965 000 40911	Rear panel canopy

Item	Service code	Description
25	4822 502 14539	S.t. screw 4.8 x 19
26	4822 529 10383	Gas spring
27	9965 000 11522	Acrylic sheet canopy
28	9280 032 21920	TL Cleo Performance 80 W-S
29	9965 000 01935	Rubber sealing
30	4822 361 10966	Fan canopy
31	9965 000 11528	Hinge cap
32	9965 000 11525	Securing spring assy
33	9965 000 11526	Bearing bush
34	9965 000 27827	Power supply unit
35	9965 000 26732	Amplifier PCB assy
36	9965 000 27876	LCD print assy
37	9965 000 40912	Keypad
38	4222 062 96260	Sent cartridge
39	9965 000 40913	Front panel canopy
40	9965 000 19773	Fan HPA complete
41	4822 252 20325	Aut. cutout 100 °C
42	4822 325 20102	Lamp holder
43	9965 000 16185	HPA lamp HP400/SH
44	9965 000 12130	Reflector/filter unit
45	9965 000 26734	Speaker assy
46	4822 214 12272	Starter HPA
47	4822 271 30619	Micro switch
48	4822 146 10792	Ballast 80 W
49	4222 062 96330	Scent refill packages HB080
	4222 062 96481	Scent refill packages "Only for EE"
	9965 000 40914	Mounting set



EXPLODED VIEW CANOPY

HB585/A

