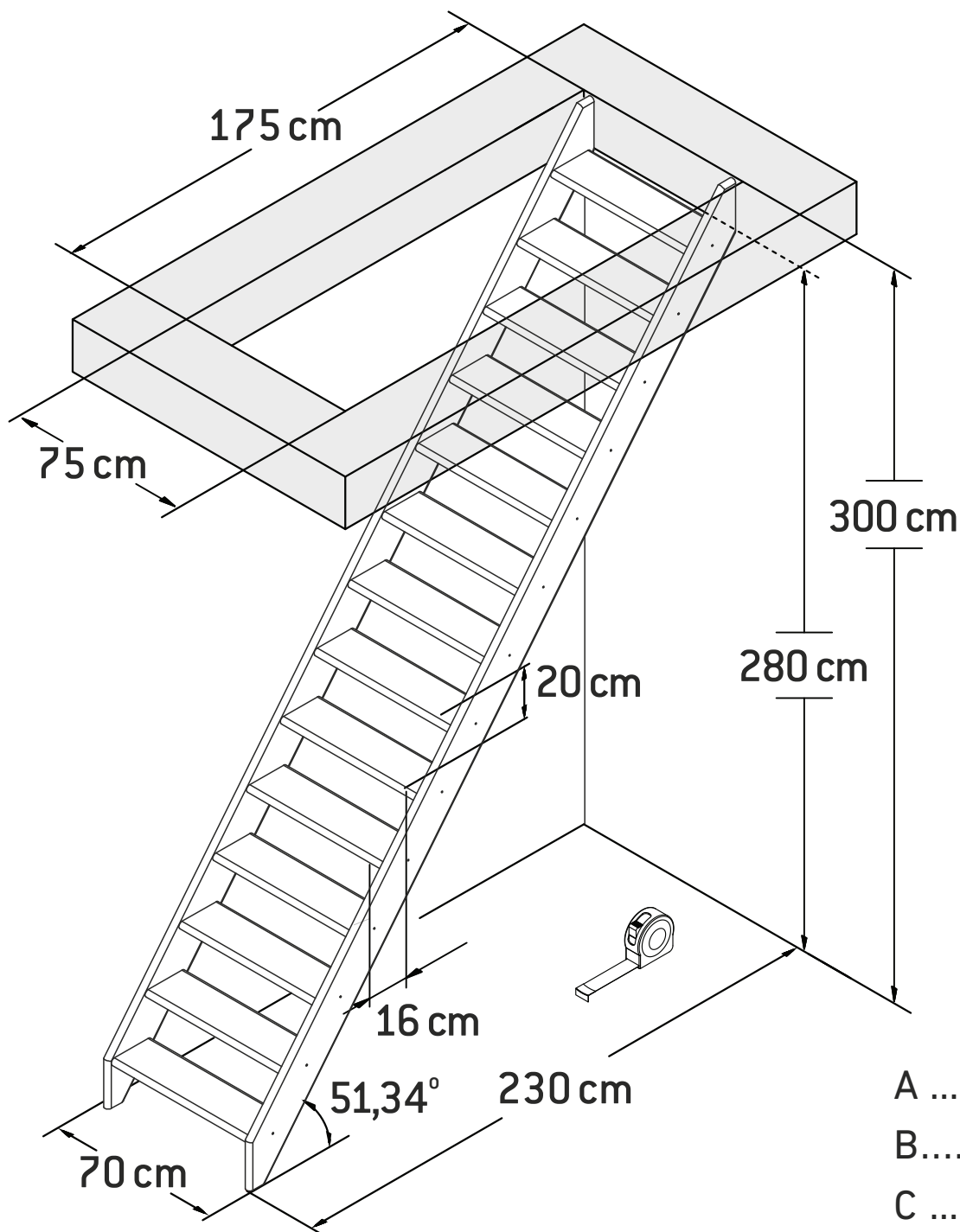


COTTAGE MEDIUM

STAIRCASE | **ECHELLE** | LADDER | **WANGENSPARTREPPE**
ESCALERA | **ESCADA** | ESCALA | **SCARĂ**



- Acm
- Bcm
- Ccm
- Dcm
- Ecm
- Fcm



Space saving
51,34°

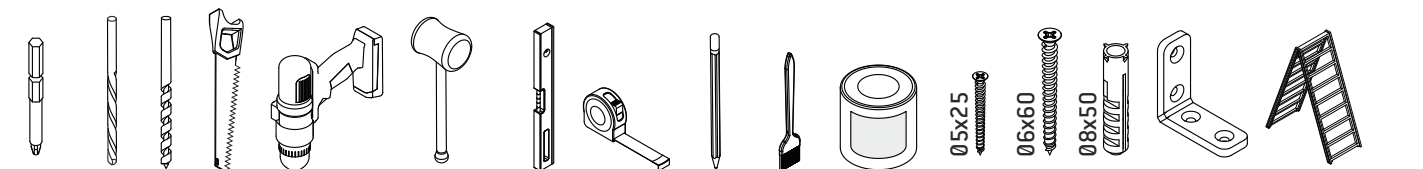
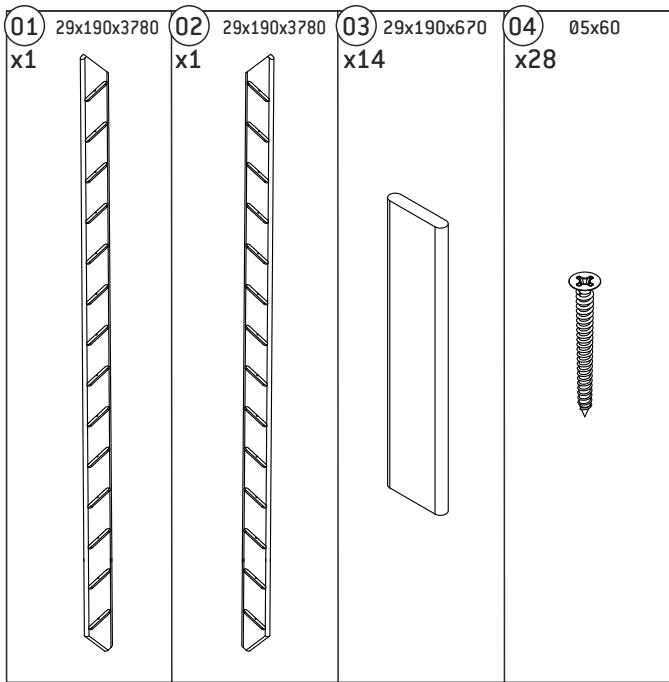


Wall handrail
365 cm

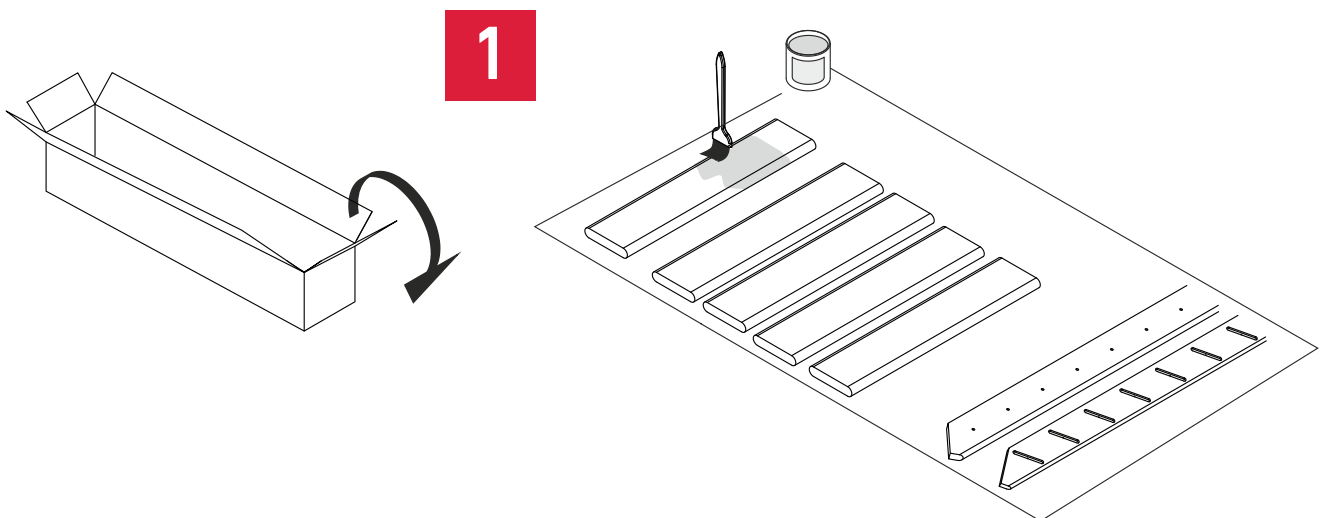


Max. total weight*
150 kg

*Maximum total weight recommended by manufacturer



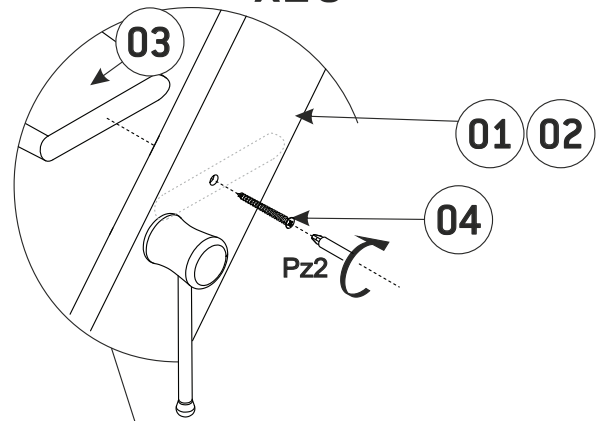
Ph2/3 010 04
Pz2/3 08 012



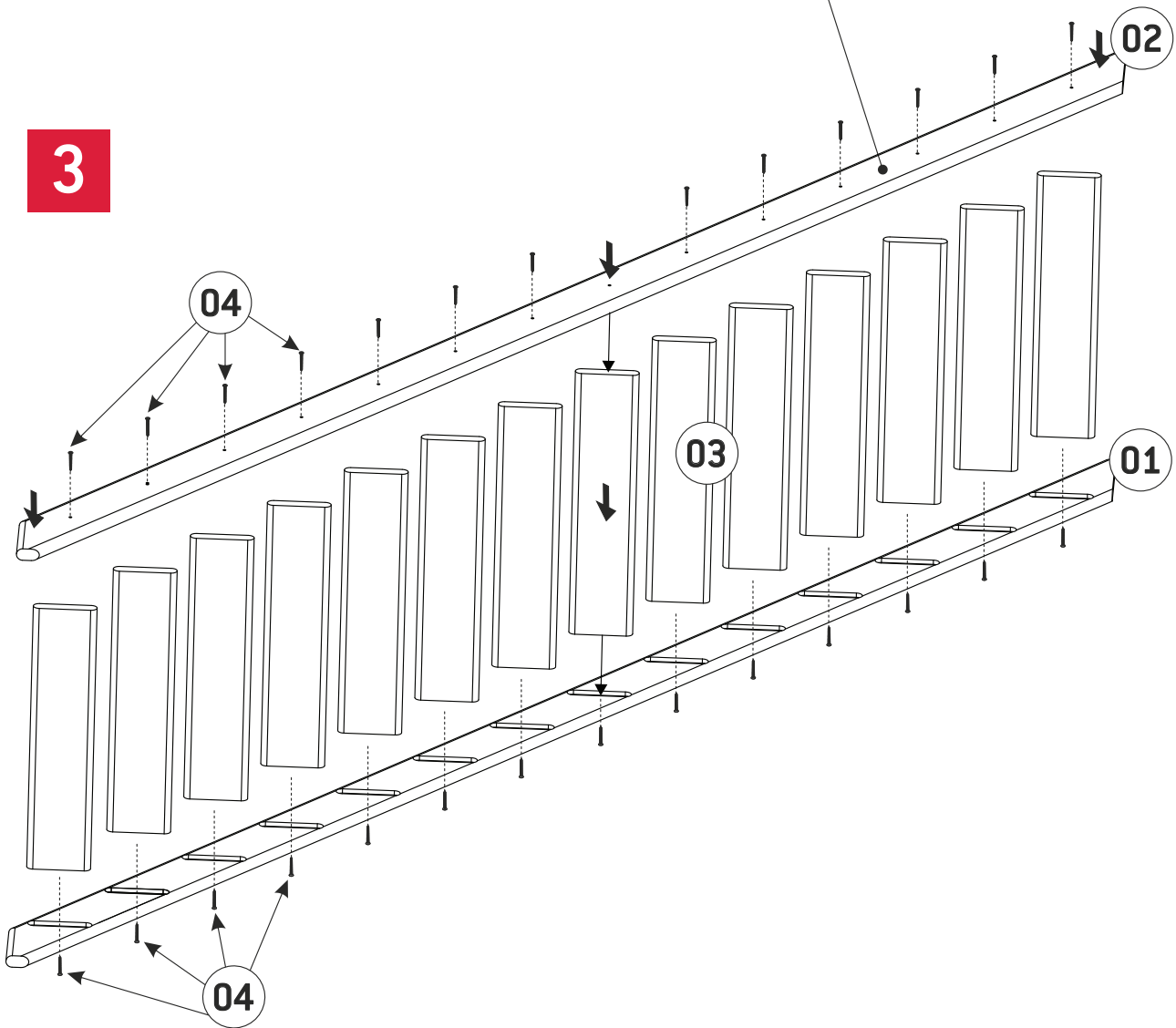


2

x28



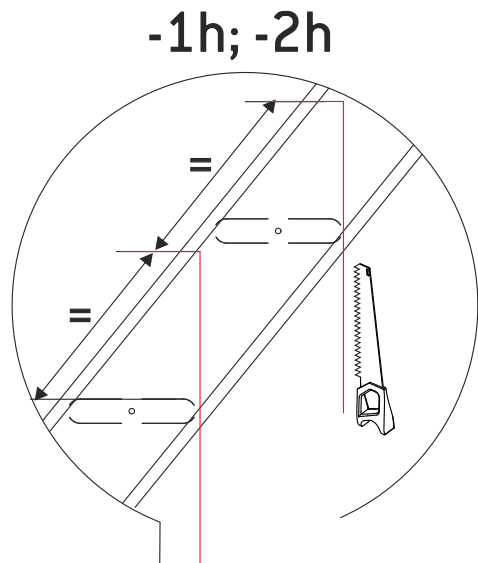
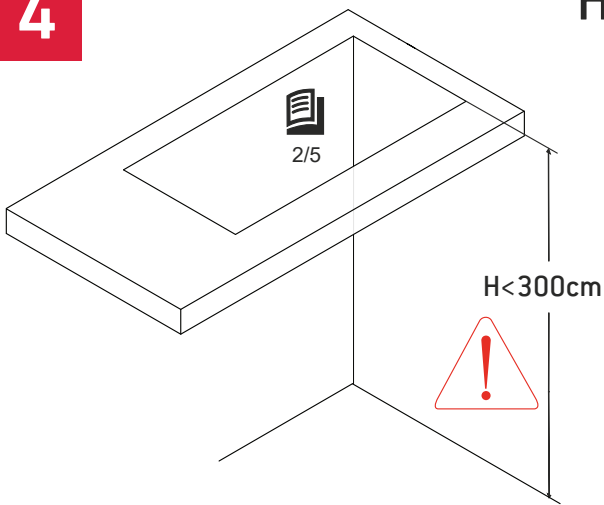
3



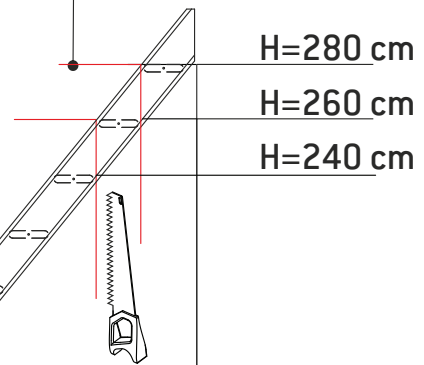
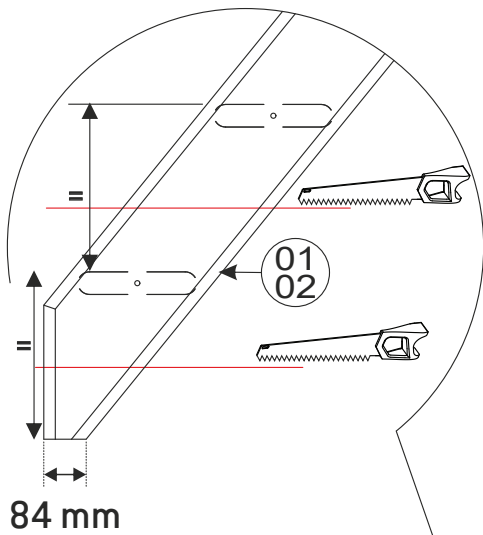


4

H < 300 cm



-0,3h; -1,5h



H < 280 cm



5

