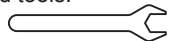


Manual

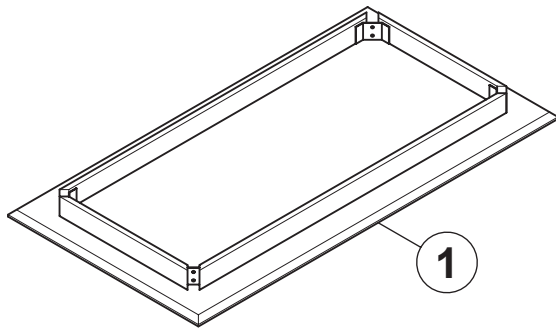
recommended tools:



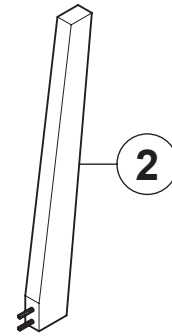
Nr. 13

Furniture: Table

Article: Gunni



1x



4x

A



M 8

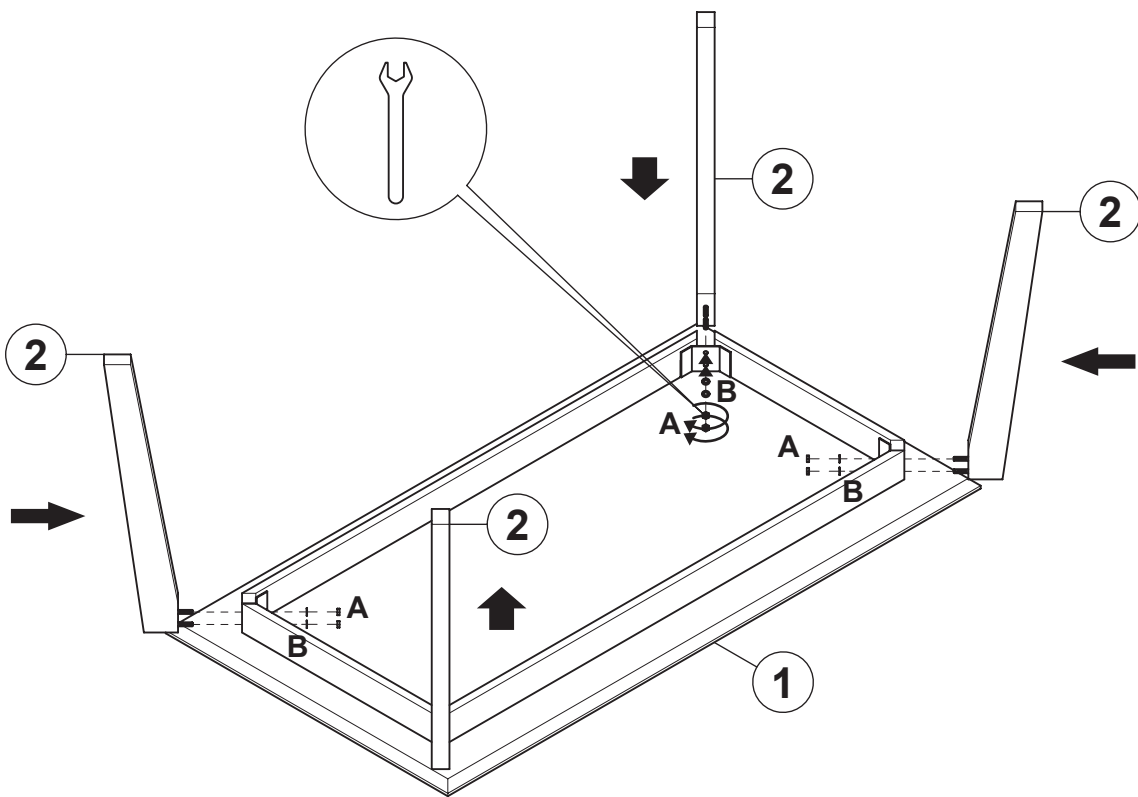
8x

B

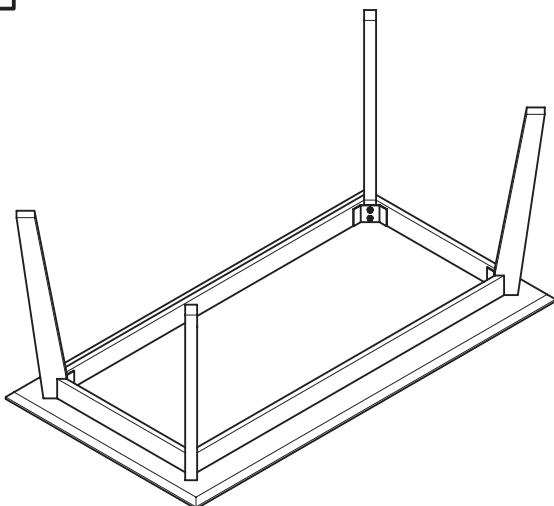


8x

1



2



3

