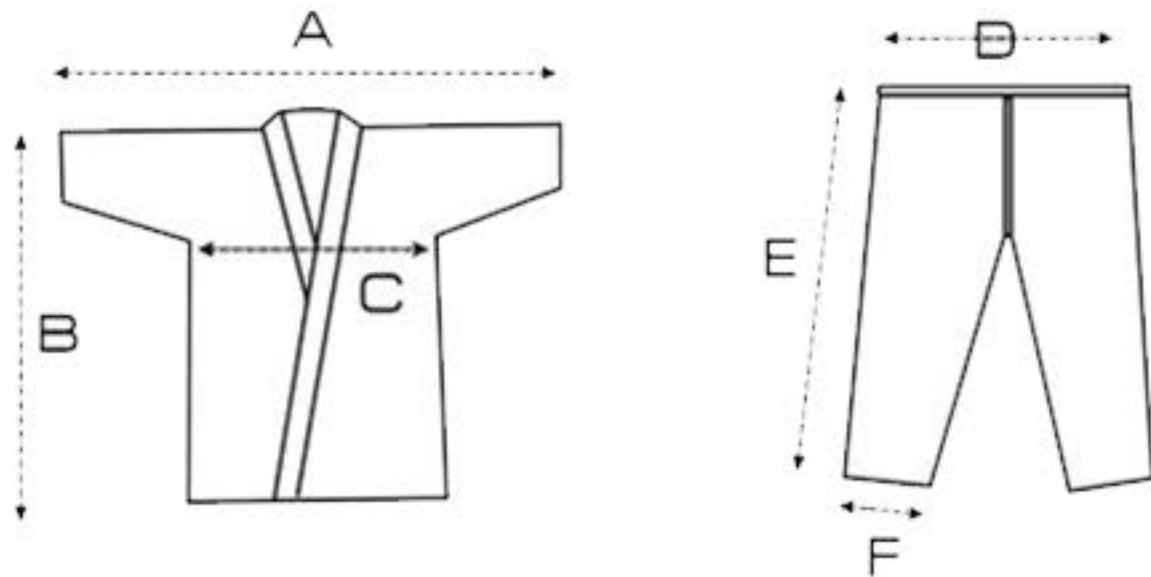


## Size chart: Full-Contact Gi In CM



### Shrinkage (Cotton Gi) Bleached (White)

The pants shrinks around 5%, and the jacket 3%

### Unbleached (Ecru)

The pants shrinks around 12% and the jacket 5%

Size (cm)	No.	A (cm)	B (cm)	C (cm)	D (cm)	E (cm)	F (cm)
100	000	70	50	38	75	65	36
110	00	78	55	40	80	70	38
120	0	90	60	44	85	75	40
130	1	98	65	48	90	80	42
140	2	110	70	52	95	85	44
150	3	118	75	56	100	90	48
160	4	126	80	60	107	95	52
165	4L	128	82	61	109	99	54
170	5	134	85	64	110	102	56
175	5L	136	87	66	115	106	58
180	6	142	90	68	120	110	60
185	6L	144	92	70	122	112	61
190	7	148	95	72	125	115	64
195	7L	150	97	73	127	117	66
200	8	158	100	74	130	120	68
205	8L	160	102	75	132	122	69
210	9	164	105	76	135	125	70
215	9L	166	107	77	137	127	71

Above measurements are before shrinkage  
~2cm tolerance