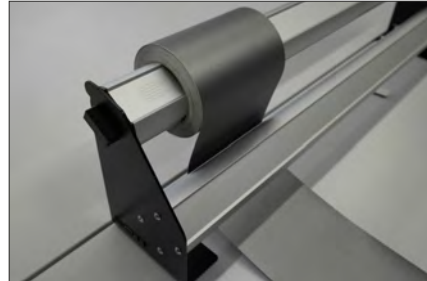
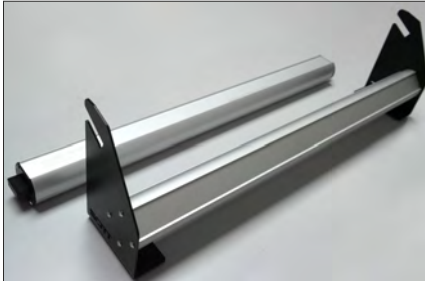


Assembling Instructions

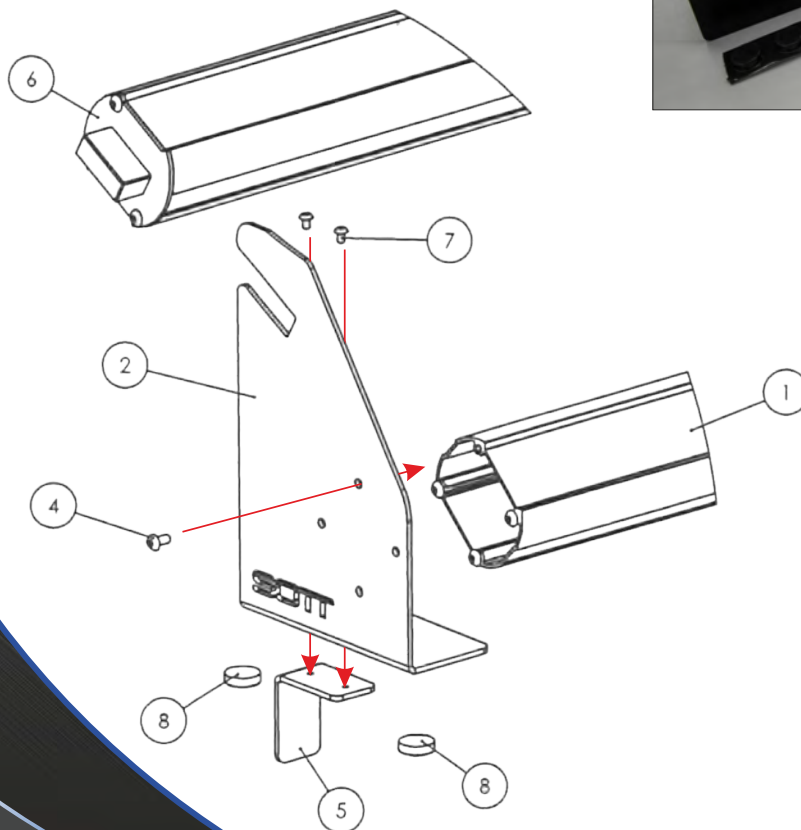
SOTT ROLL SUPPORT Series 500-SRS

500-SRS86, 500-SRS132, 500-SRS162



Each kit contains:

- | | |
|---------------------------------------|-----------------|
| 2x Aluminium tubes (1 with caps) | 4x Rubber caps. |
| 2x Curved Metal plates with SOTT logo | 8x Bolts |
| 2x Curved small metal hooks | 4x Bolts short |
| 2x Allen keys (2 different sizes) | |



How to assemble:

- Amount the **aluminium tube (1)** to the **curved metal plates (2)**. Use 4 bolts at each side. Use the biggest Allen key to fasten.
 - Amount the small **metal hooks (5)** at the bottom of the curve of the **metal plates (2)**. Use the small bolts and Allen key to fasten.
 - Stick the **rubber caps (8)** on the bottom as shown on the picture.
 - Put the **Aluminium tube (6)** with the caps in the top of the dispenser.
- Done!