

BARBECUES : 2 SERIES CLASSIC

**L - CLASS 2L - LX - LX VARIO - LX VARIO+
CLASS 2 LX VARIO - LX PLUS
LX PLUS VARIO - CLASS 2 LX PLUS VARIO
LX D PLUS VARIO - EXS - EXS VARIO - LXS**



**2 SERIES CLASSIC L
CLASS 2 L**



MOD. 2018



**2 SERIES CLASSIC LX
2 SERIES CLASSIC LX VARIO
2 SERIES CLASSIC LX VARIO +
CLASS 2 LX VARIO**



MOD. 2018



2 SERIES CLASSIC LX PLUS



**2 SERIES CLASSIC LX PLUS VARIO
CLASS 2 LX PLUS VARIO**



2 SERIES CLASSIC LX D PLUS VARIO



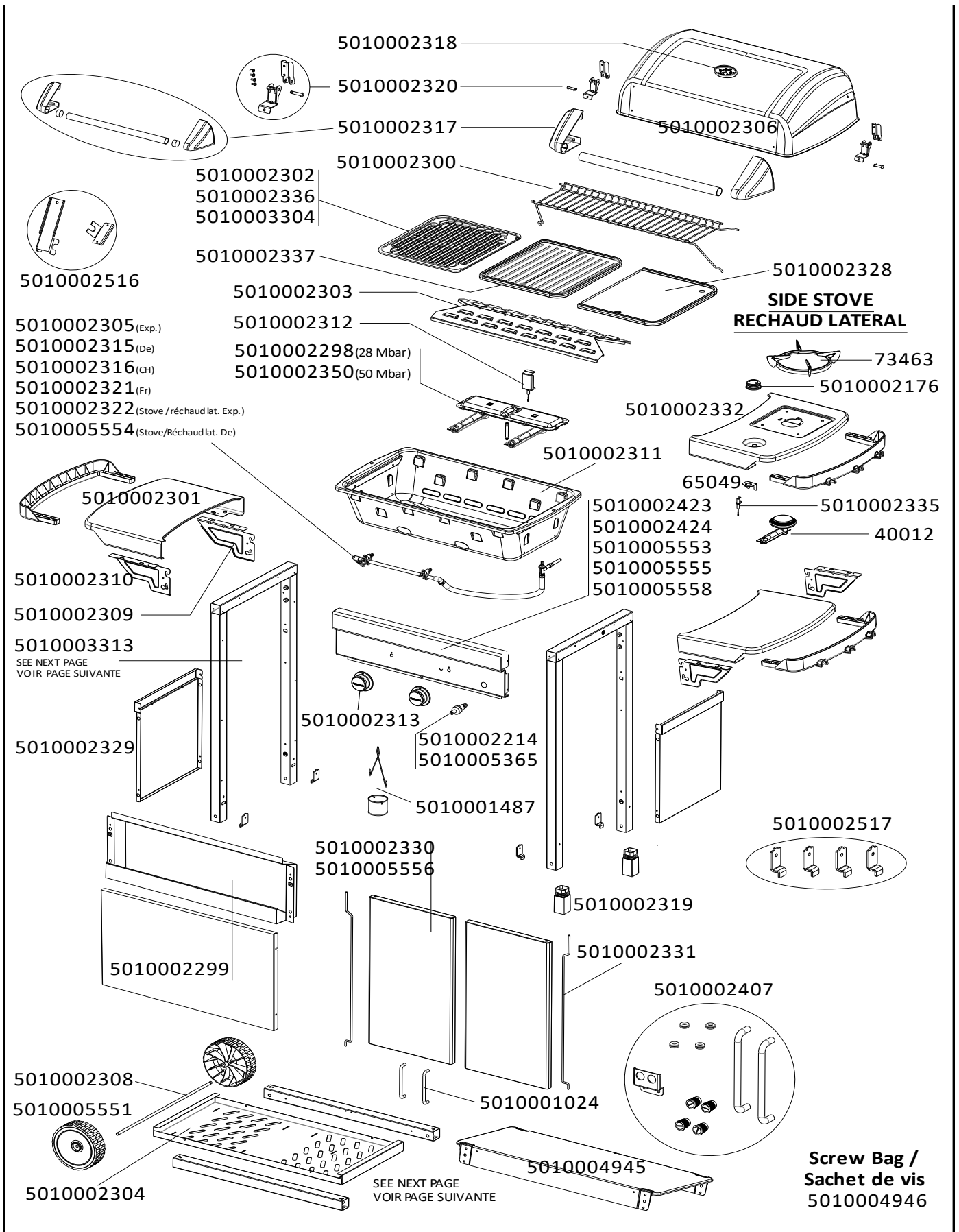
**2 SERIES CLASSIC EXS
2 SERIES CLASSIC EXS VARIO**



2 SERIES CLASSIC LXS

BARBECUES : 2 SERIES CLASSIC

**L - CLASS 2L - LX - LX VARIO - LX VARIO+
CLASS 2 LX VARIO - LX PLUS
LX PLUS VARIO - CLASS 2 LX PLUS VARIO
LX D PLUS VARIO - EXS - EXS VARIO - LXS**



**SIDE STOVE
RECHAUD LATERAL**

5010002516

5010002305 (Exp.)
5010002315 (De)
5010002316 (Ch)
5010002321 (Fr)
5010002322 (Stove / réchaud lat. Exp.)
5010005554 (Stove / Réchaud lat. De)

5010002310
5010002309
5010003313
SEE NEXT PAGE
VOIR PAGE SUIVANTE

5010002329

5010002299

5010002308
5010005551
5010002304

SEE NEXT PAGE
VOIR PAGE SUIVANTE

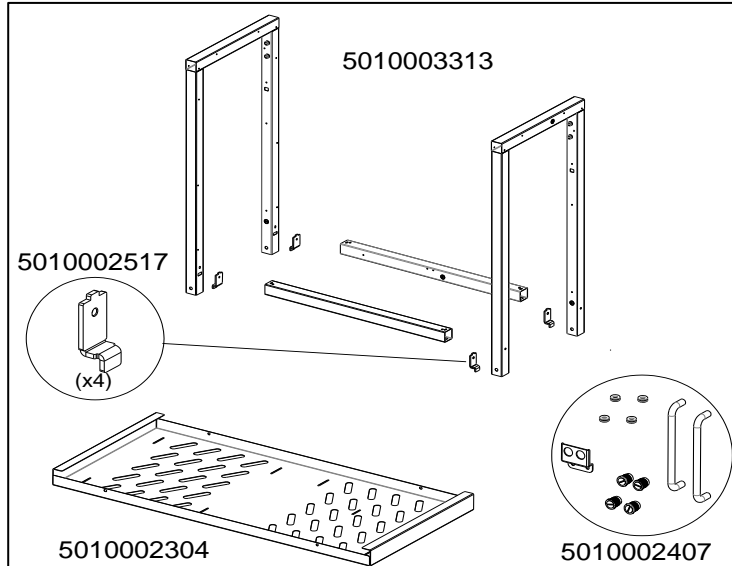
**Screw Bag /
Sachet de vis
5010004946**

BARBECUES : 2 SERIES CLASSIC

**L - CLASS 2L - LX - LX VARIO - LX VARIO+
 CLASS 2 LX VARIO - LX PLUS
 LX PLUS VARIO - CLASS 2 LX PLUS VARIO
 LX D PLUS VARIO - EXS - EXS VARIO - LXS**

TROLLEY / CHARIOT

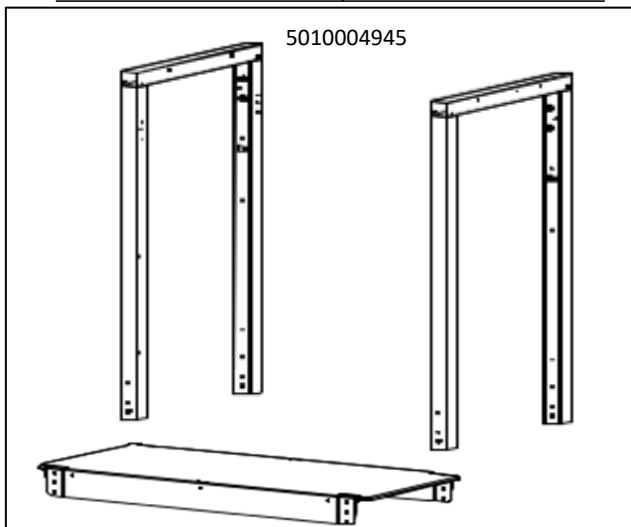
BEFORE / AVANT 2018



5010004946
 Screw bag
 Sacs de vis

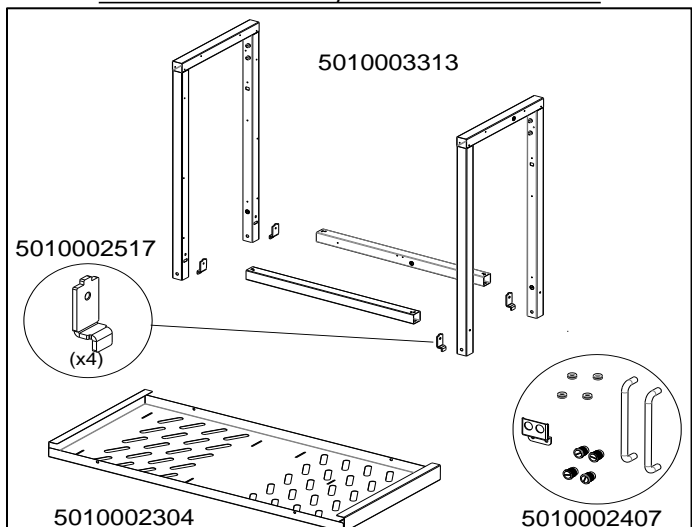
FROM / A PARTIR DE 2018

MODEL WITHOUT DOORS / MODELE SANS PORTES



5010004946
 Screw bag
 Sacs de vis

MODEL WITH DOORS / MODELE AVEC PORTES



5010004946
 Screw bag
 Sacs de vis

BARBECUES : 2 SERIES CLASSIC

L - CLASS 2L - LX - LX VARIO - LX VARIO+
 CLASS 2 LX VARIO - LX PLUS
 LX PLUS VARIO - CLASS 2 LX PLUS VARIO
 LX D PLUS VARIO - EXS - EXS VARIO - LXS



SPARE PARTS REF.	POINTS	EN DESCRIPTIONS	FR DESCRIPTIONS	2 CLASSIC L - 2 CLASSIC LX 2 CLASSIC LX VARIO - 2 CLASSIC LX VARIO + CLASS 2L - CLASS 2 LX VARIO	2 CLASSIC LX PLUS 2 CLASSIC LX PLUS VARIO CLASS 2 LX PLUS VARIO 2 CLASSIC LX D PLUS VARIO	2 CLASSIC EXS - 2 CLASSIC EXS VARIO	2 CLASSIC LXS
40012	60	COMPLETE BURNER FOR SIDE	BRULEUR POUR RECHAUD			X	X
65049	30	SQUARE FOR SIDE STOVE	RONDELLE DE BRIDAGE ROBINET			X	X
73463	60	PAN SUPPORT	SUPPORT DE CASSEROLE			X	X
5010001024	40	HANDLE / USTENSIL HOLDER	POIGNEE / PORTE USTENSILE		X	X	
5010001487	50	GREASE CAN + WIRE	POT A GRAISSE + FIL	X	X	X	X
5010002176	40	KIT OF 2 KNOBS FOR SIDE STOVE	KIT DE 2 VOLANTS POUR RECHAUD LATERAL			X	X
5010002214	80	PIEZO 1 OUTLET	PIEZO SIMPLE	X	X		
5010002298	120	BURNER (STAINLESS STEEL TOP / STEEL BOTTOM) WITH SUPPORT	BRULEUR (PARTIE SUP. INOX / PARTIE INF. ACIER) AVEC ENTRETOISE	X	X	X	X
5010002299	120	TOP + BOTTOM FRONT PANEL - LIGHT GREY	PANNEAU AVANT HAUT + BAS - GRIS CLAIR	X			X
5010002300	80	WARMING RACK	GRILLE DE MIJOTAGE	X	X	X	X
5010002301	130	RIGHT OR LEFT SIDE SHELF	ETAGERE LATERALE DROITE OU GAUCHE	X	X	X	X
5010002302	110	ENAMELLED STEEL GRID - SHINY	GRILLE ACIER EMAILLE - BRILLANTE	X	X		X
5010002303	50	HEAT DIFFUSER (x1)	DIFFUSEUR DE CHALEUR (x1)	X	X	X	X
5010002304	100	CANISTER SUPPORT	SUPPORT DE RESERVOIR	X	X	X	
5010002305	160	GAS PIPE 28Mb (Export)	TUBULURE 28Mb (Export)	X	X		
5010002306	250	LID WITHOUT HANDLE - BLACK	COUVERCLE SANS POIGNEE - NOIR	X	X	X	X
5010002308	30	WHEEL AXLE	AXE DE ROUE	X	X	X	X
5010002309	50	LEFT SIDE SHELF SUPPORT	SUPPORT GAUCHE ETAGERE	X	X	X	X
5010002310	50	RIGHT SIDE SHELF SUPPORT	SUPPORT DROITE ETAGERE	X	X	X	X
5010002311	200	BASE	CUVE	X	X	X	X
5010002312	60	ELECTRODE + WIRE + SUPPORT	ELECTRODE + FIL + SUPPORT	X	X	X	X
5010002313	60	KNOB (x2)	VOLANT (x2)	X	X	X	X
5010002315	160	GAS PIPE 50Mb 1/4" (De)	TUBULURE 50Mb 1/4" (De)	X	X		
5010002316	160	GAS PIPE 28Mb 1/4" (Ch)	TUBULURE 28Mb 1/4" (Ch)	X	X		
5010002317	160	KIT HANDLE FOR LID	KIT POIGNEE POUR COUVERCLE	X	X	X	X
5010002318	90	THERMOMETER	THERMOMETRE	X	X	X	X
5010002319	30	PLASTIC FOOT	PIED PLASTIQUE	X	X	X	X
5010002320	50	UPPER + LOWER HINGE	CHARNIERE HAUT + BAS	X	X	X	X
5010002321	160	GAS PIPE 28Mb 1/2" (Fr)	TUBULURE 28Mb 1/2" (Fr)	X	X		
5010002322	190	STOVE PIPE 28Mb (Export)	TUBULURE RECHAUD 28Mb (Export)			X	X
5010002328	150	ENAMELLED STEEL GRIDDLE - SHINY	PLAQUE DE CUISSON ACIER EMAILLE - BRILLANTE	X	X		
5010002329	70	SIDE SHEET	TOLE LATERALE		X	X	
5010002330	110	RIGHT OR LEFT DOOR WITHOUT HANDLE (LIGHT GREY)	PORTE DROITE OU GAUCHE SANS POIGNEE (GRIS CLAIR)		X	X	

BARBECUES : 2 SERIES CLASSIC

L - CLASS 2L - LX - LX VARIO - LX VARIO+
 CLASS 2 LX VARIO - LX PLUS
 LX PLUS VARIO - CLASS 2 LX PLUS VARIO
 LX D PLUS VARIO - EXS - EXS VARIO - LXS



SPARE PARTS REF.	POINTS	EN DESCRIPTIONS	FR DESCRIPTIONS	2 CLASSIC L - 2 CLASSIC LX 2 CLASSIC LX VARIO - 2 CLASSIC LX VARIO + CLASS 2L - CLASS 2 LX VARIO	2 CLASSIC LX PLUS 2 CLASSIC LX PLUS VARIO CLASS 2 LX PLUS VARIO 2 CLASSIC LX D PLUS VARIO	2 CLASSIC EXS - 2 CLASSIC EXS VARIO	2 CLASSIC LXS
5010002331	30	DOOR AXLE	AXE DE PORTE			X	
5010002332	130	SIDE STOVE SHELF	ETAGERE RECHAUD LATERAL			X	X
5010002335	40	SIDE BURNER ELECTRODE	ELECTRODE RECHAUD LATERAL			X	X
5010002336	160	CAST IRON ENAMELLED GRID - SHINY	GRILLE DE CUISSON FONTE EMAILLEE - BRILLANTE			X	
5010002337	220	REVERSIBLE CAST IRON ENAMELLED GRIDDLE - SHINY	PLAQUE DE CUISSON FONTE EMAILLEE REVERSIBLE - BRILLANTE			X	
5010002350	120	STEEL BURNER WITH SUPPORT	BRULEUR ACIER AVEC ENTRETOISE	X	X	X	
5010002407	70	DOOR ACCESSORY BAG	SACHET ASSESOIRES PORTE		X	X	
5010002423	140	CONTROL PANEL (2 Classic L)	CONSOLE (2 Classic L)	X	X	X	
5010002424	140	CONTROL PANEL (Class 2L)	CONSOLE (Class 2L)	X			
5010002516	30	GAS TUBE HOLDER	SUPPORT TUBULURE	X	X	X	X
5010002517	50	TUBE JUNCTION FOR 2014 TROLLEY	SUPPORT POUR CHARIOT 2014	X	X	X	
5010003304	140	ENAMELLED CAST IRON GRID - MATTE	GRILLE DE CUISSON FONTE EMAILLEE - MATE	X	X	X	
5010003313	320	CARRIAGE	CHARIOT	X	X	X	
5010004945	270	CYLINDER SUPPORT + TROLLEY	SUPPORT BOUTEILLE + CHARIOT	X		X	X
5010004946	110	SCREW BAG	SACHET DE VIS	X	X	X	X
5010005365	50	PIEZO DOUBLE	PIEZO DOUBLE			X	X
5010005551	50	WHEEL DIAMETER 160 (X 1) WITH CHROMED CAP	ROUE DIAMETRE 160 (X 1) AVEC ENJOLIVEUR CHROME	X	X	X	X
5010005553	60	CONTROL PANEL (2 SERIES CLASSIC EXS)	CONSOLE (2 SERIES CLASSIC EXS)			X	X
5010005554	200	STOVE PIPE 50Mb 1/4" (De)	TUBULURE RECHAUD 50Mb 1/4" (De)			X	
5010005555	60	CONTROL PANEL (2 SERIES CLASSIC LX D Plus VARIO)	CONSOLE (2 SERIES CLASSIC LX D Plus VARIO)		X		
5010005556	80	RIGHT OR LEFT DOOR WITHOUT HANDLE (DARK GREY)	PORTE DROITE OU GAUCHE SANS POIGNEE (GRIS FONCE)		X		
5010005558	60	CONTROL PANEL (2 SERIES CLASSIC LX PLUS)	CONSOLE (2 SERIES CLASSIC LX PLUS)		X		