

**BARBECUES ADELAÏDE : 2 - 3 - 4 WOODY - WOODY L -  
CLASSIC - CLASSIC L & CLASSIC L DELUXE**



**ADELAÏDE 2 WOODY**



**ADELAÏDE 2 CLASSIC L**



**ADELAÏDE 2  
CLASSIC L DELUXE**



**ADELAÏDE 3 WOODY**



**ADELAÏDE 3 WOODY L**



**ADELAÏDE 3 CLASSIC L**



**ADELAÏDE 3  
CLASSIC L DELUXE**



**ADELAÏDE 4 CLASSIC**



**ADELAÏDE 4 WOODY**



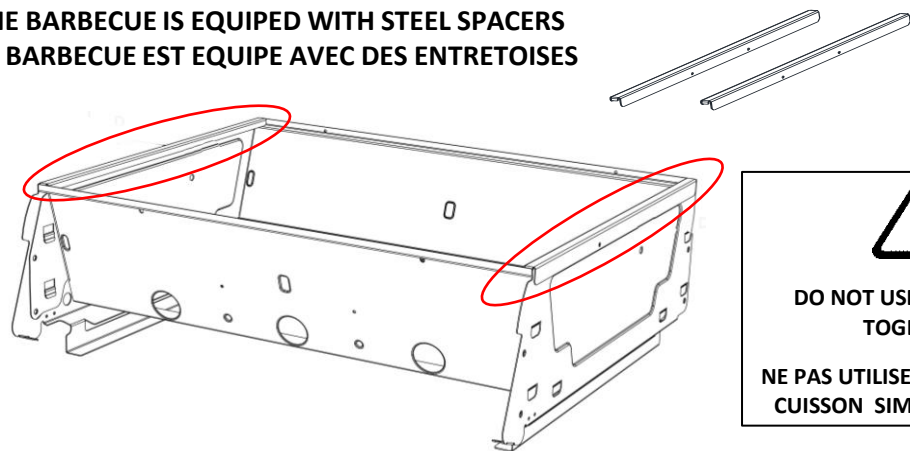
**ADELAÏDE 4  
CLASSIC L DELUXE**



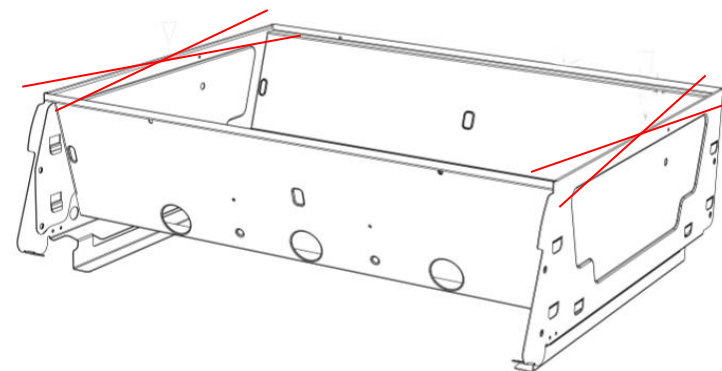
# BARBECUES ADELAÏDE : 2 - 3 - 4 WOODY - WOODY L - CLASSIC - CLASSIC L & CLASSIC L DELUXE

## GRIDS AND GRIDDLES / GRILLES ET PLAQUES DE CUISSON

IF THE BARBECUE IS EQUIPED WITH STEEL SPACERS  
SI LE BARBECUE EST EQUIPE AVEC DES ENTRETOISES



IF THE BARBECUE IS NOT EQUIPED WITH STEEL SPACERS  
SI LE BARBECUE N'EST PAS EQUIPE D'ENTRETOISES



  
**DO NOT USE 2 GRIDDLES TOGETHER**  
**NE PAS UTILISER 2 PLAQUES DE CUISSON SIMULTANEMENT.**

USE THE FOLLOWING GRIDS AND GRIDDLES  
UTILISER LES GRILLES ET PLAQUES DE CUISSON CI-DESSOUS

- 5010001134 - ENAMELLED GRID / GRILLE DE CUISSON EMAILLEE
- 5010001135 - CAST IRON GRIDDLE / PLAQUE DE CUISSON FONTE
- 5010001154 - ENAMELLED GRID / GRILLE DE CUISSON EMAILLEE
- 5010001155 - CAST IRON GRIDDLE / PLAQUE DE CUISSON FONTE
- 5010001328 - ENAMELLED GRID / GRILLE DE CUISSON EMAILLEE

USE THE FOLLOWING GRIDS AND GRIDDLES / UTILISER LES GRILLES ET PLAQUES DE CUISSON CI-DESSOUS

- 74803 - CAST IRON GRID / GRILLE DE CUISSON FONTE
- 74819 - CAST IRON GRID / GRILLE DE CUISSON FONTE
- 74838 - ENAMELLED CAST IRON GRID / GRILLE FONTE EMAILLEE
- 74839 - CAST IRON GRIDDLE / PLAQUE DE CUISSON FONTE
- 74879 - CAST IRON GRID / GRILLE DE CUISSON FONTE
- 74880 - CAST IRON GRIDDLE / PLAQUE DE CUISSON FONTE
- 79889 - 1/2 CAST IRON GRIDDLE / 1/2 PLAQUE DE CUISSON FONTE

  
**DO NOT MIX GRIDS / GRIDDLES OF BOTH GROUPS.**  
**NE PAS UTILISER DE GRILLES / PLAQUES DES 2 GROUPES SIMULTANEMENT.**

**OR / OU**

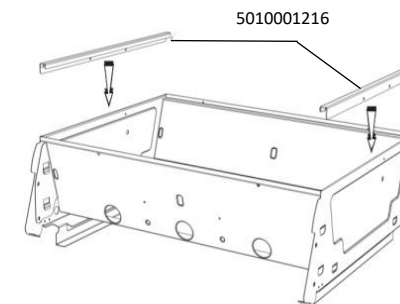
USE THE FOLLOWING GRIDS AND GRIDDLES WITH STEEL SPACERS 5010001216

UTILISER LES GRILLES ET PLAQUES DE CUISSON CI-DESSOUS AVEC LES ENTRETOISES 5010001216

- 5010001134 - ENAMELLED GRID / GRILLE DE CUISSON EMAILLEE
- 5010001135 - CAST IRON GRIDDLE / PLAQUE DE CUISSON FONTE
- 5010001154 - ENAMELLED GRID / GRILLE DE CUISSON EMAILLEE
- 5010001155 - CAST IRON GRIDDLE / PLAQUE DE CUISSON FONTE
- 5010001328 - ENAMELLED GRID / GRILLE DE CUISSON EMAILLEE

+

- 5010001216 - STEEL SPACER / ENTRETOISE ACIER



# BARBECUES ADELAÏDE : 2 - 3 - 4 WOODY - WOODY L - CLASSIC - CLASSIC L & CLASSIC L DELUXE



SPARE PARTS REF.	POINTS	EN DESCRIPTIONS	FR DESCRIPTIONS	2	3	3	4	2	2	3	4
				WOODY	WOODY	WOODY L	WOODY	CLASSIC L	CLASSIC L DELUXE	CLASSIC - L & L DELUXE	CLASSIC
31897	50	WHEEL DIAMETER 175 (X 1)	ROUE DIAMETRE 175 (X 1)	X	X	X		X	X		
31906	30	CYLINDER STRAP	SANGLE BOUTEILLE	X	X	X	X	X	X	X	X
36948	60	SIMPLE IGNITER	PIEZO SIMPLE	X				X	X	X	X
40019	50	JET	INJECTEUR	X	X	X		X	X	X	
61325	60	DOUBLE IGNITOR	PIEZO DOUBLE		X	X	X			X	X
68038	60	LID HANDLE + SCREWS	POIGNEE COUVERCLE + VIS	X	X		X				X
69263	30	HOOKS (X 3)	CROCHETS (X 3)				X	X	X	X	X
73463	60	PAN SUPPORT	SUPPORT DE CASSEROLE						X	X	X
73466	60	ELECTRODE (ROUND END AND LONG WIRE) + CLIP	ELECTRODE (COSSE RONDE ET CABLE LONG) + CLIP						X	X	X
73467	30	BLOCKING NUT	ECROU DE BLOCAGE						X	X	X
74797	100	BASE - RIGHT SIDE (1-2)	CUVE - COTE DROITE (1-2)	X	X	X	X	X	X	X	X
74798	100	BASE - LEFT SIDE (3-4)	CUVE - COTE GAUCHE (3-4)	X	X	X	X	X	X	X	X
74800	80	GREASE DRAWER WITHOUT HANDLE	PLATEAU RAMASSE GRAISSE SANS POIGNEE	X				X	X		
74801	110	CAST IRON BURNER 28Mb	BRULEUR FONTE 28Mb	X	X	X	X	X	X	X	X
74803	180	PAINTED CAST IRON GRID	GRILLE FONTE PEINTE	X							
74805	40	KNOBS (X2)	VOLANTS (X2)	X	X	X	X	X	X	X	X
74806	50	ELECTRODE + HOLDER (ROUND END)	ELECTRODE + CACHE ELECTRODE (COSSE RONDE)	X				X	X		
74807	80	HEAT DIFFUSER (x1)	DIFFUSEUR DE CHALEUR (x1)	X	X	X	X	X	X	X	X
74808	40	WHEEL AXLE	AXE DE ROUE	X	X	X	X	X	X	X	X
74809	40	CYLINDER WIRE	FIL SUPPORT RESERVOIR	X	X	X					
74814	100	BASE - FRONT PART (1-4)	CUVE - PARTIE FRONTALE (1-4)		X	X				X	
74815	100	BASE - REAR PART (2-3)	CUVE - PARTIE ARRIERE (2-3)		X	X				X	
74817	100	FRONT PANEL	CONSOLE				X				X
74818	230	GAS PIPE 28Mb (Export)	TUBULURE 28Mb (Export)		X	X				X	
74819	180	PAINTED CAST IRON GRID	GRILLE FONTE PEINTE		X						
74821	80	ELECTRODE + HOLDER (SQUARE END)	ELECTRODE + SUPPORT (EMBOU CARRE)		X	X	X			X	X
74822	80	ELECTRODE + HOLDER (ROUND END)	ELECTRODE + SUPPORT (COSSE RONDE)		X	X	X			X	X

# BARBECUES ADELAÏDE : 2 - 3 - 4 WOODY - WOODY L - CLASSIC - CLASSIC L & CLASSIC L DELUXE



SPARE PARTS REF.	POINTS	EN DESCRIPTIONS	FR DESCRIPTIONS	2	3	3	4	2	2	3	4
				WOODY	WOODY	WOODY L	WOODY	CLASSIC L	CLASSIC L DELUXE	CLASSIC - L & L DELUXE	CLASSIC
74823	160	FLAT LID WITHOUT HANDLE	COUVERCLE PLAT SANS POIGNEE		X					X	
74838	220	ENAMELLED CAST IRON GRID - MATTE	GRILLE FONTE EMAILLEE - MATE		X	X				X	
74839	230	ENAMELLED CAST IRON GRIDDLE - MATTE	PLAQUE DE CUISSON FONTE EMAILLEE - MATE		X	X				X	
74843	70	RIGHT REAR SIDE FLANK	FLANC ETAGERE ARRIERE DROITE				X	X	X	X	X
74858	130	CYLINDER COVER	JUPE TEXTILE		X	X				X	
74859	420	ARTICULATED LID WITHOUT HANDLE - BLACK	COUVERCLE ARTICULE SANS POIGNEE - NOIR			X				X	
74860	170	WINDSHIELD	PAREVENT			X				X	
74862	150	SCREW BAGS (SMALL + LARGE PARTS)	SACHETS DE VIS (PETITES + GROSSES PIECES)							X	X
74865	80	RIGHT FRONT SIDE FLANK	FLANC ETAGERE AVANT DROITE				X	X	X	X	X
74866	250	GAS PIPE 50Mb 1/4" (De)	TUBULURE 50Mb 1/4" (De)		X	X				X	
74867	250	GAS PIPE 28Mb 1/2" (Fr)	TUBULURE 28Mb 1/2" (Fr)		X	X				X	
74868	140	SCREW BAGS (SMALL + LARGE PARTS)	SACHETS DE VIS (PETITES + GROSSES PIECES)		X	X					
74871	100	CAST IRON BURNER 50Mb	BRULEUR FONTE 50Mb	X	X	X				X	
74873	120	BASE - FRONT PART (1-4)	CUVE - PARTIE FRONTALE (1-4)				X				X
74874	120	BASE - REAR PART (2-3)	CUVE - PARTIE ARRIERE (2-3)				X				X
74876	70	GREASE DRAWER WITHOUT HANDLE	TIROIR A GRAISSE SANS POIGNEE				X				X
74877	60	CENTRAL GUIDE	GLISSIERE CENTRALE				X				X
74878	300	GAS PIPE 28Mb 1/2" (Fr)	TUBULURE 28Mb 1/2" (Fr)				X				X
74879	280	ENAMELLED CAST IRON GRID - MATTE	GRILLE DE CUISSON FONTE EMAILLEE - MATE				X				X
74880	160	ENAMELLED CAST IRON GRIDDLE - MATTE	PLAQUE DE CUISSON FONTE EMAILLEE - MATE				X				X
74881	30	PLASTIC FOOT	PIED PLASTIQUE				X				
74883	40	ELECTRODE HOUSING	SUPPORT ELECTRODE		X	X	X			X	X
75346	350	STOVE GAS PIPE 28Mb (Export)	TUBULURE RECHAUD LATERAL 28Mb (Export)								X
75347	30	SIDE STOVE HANDLE	POIGNEE COUVERCLE RECHAUD						X	X	X
75350	480	ARTICULATED LID WITHOUT HANDLE - BLACK	COUVERCLE ARTICULE SANS POIGNEE - NOIR								X
75352	350	STOVE GAS PIPE 28Mb 1/2" (Fr)	TUBULURE RECHAUD LATERAL 28Mb 1/2" (Fr)								X
75799	300	GAS PIPE 28Mb (Export)	TUBULURE 28Mb (Export)				X				X

