

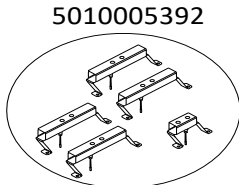
**BARBECUE : MASTER 4 SERIES  
CLASSIC WL**

*(MOD. FROM / A PARTIR DE 2018)*

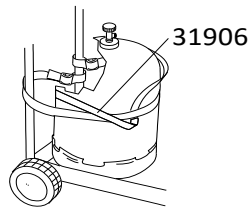
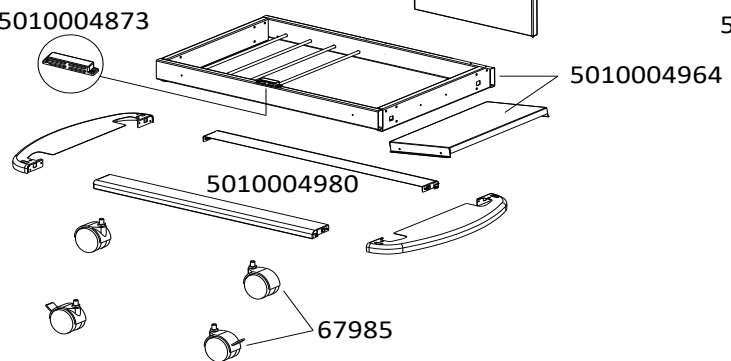
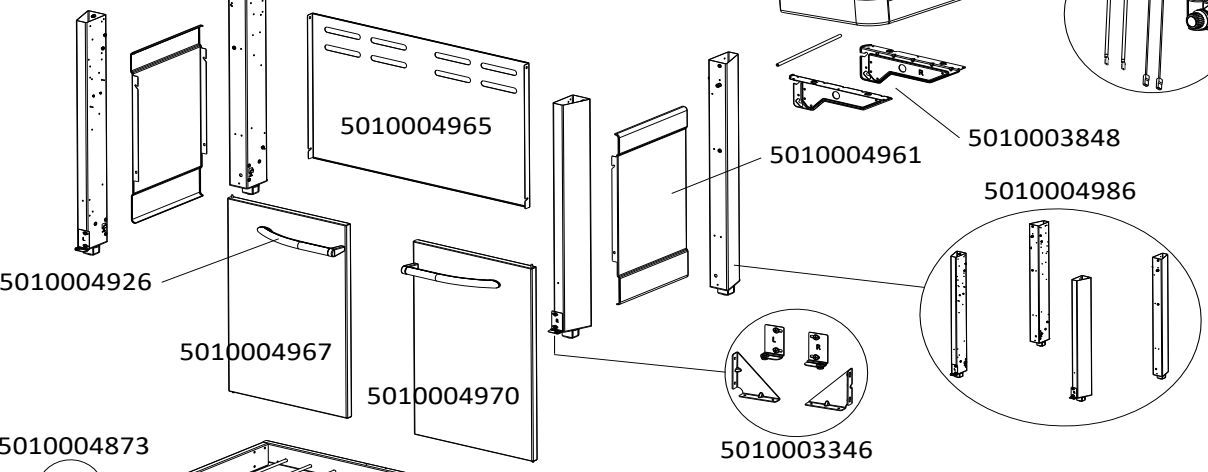
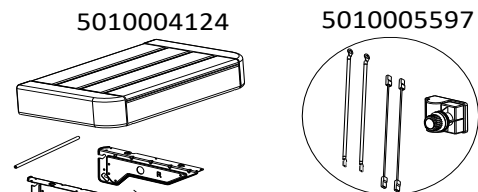
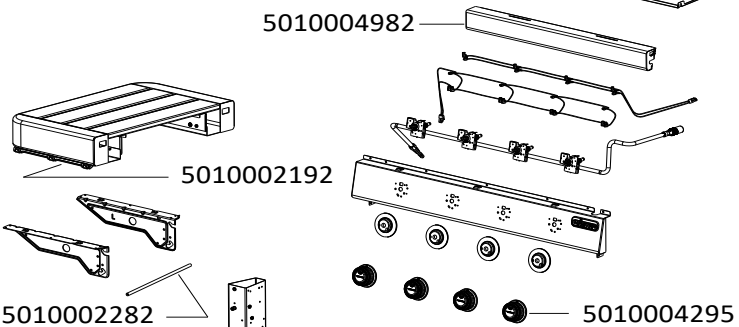
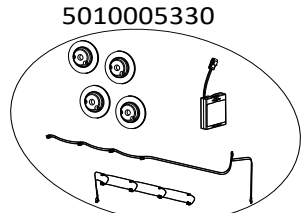
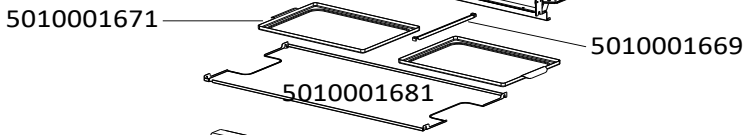
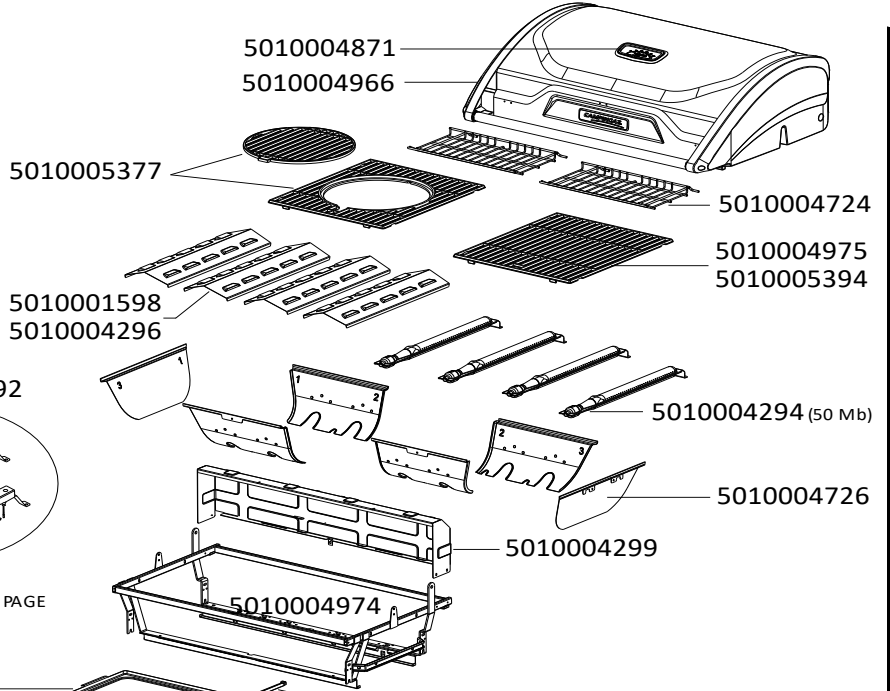
**CAMPINGAZ**



# BARBECUE : MASTER 4 SERIES CLASSIC WL (MOD. FROM / A PARTIR DE 2018)



SEE LAST PAGE  
VOIR DERNIERE PAGE



**SCREW BAG  
SACHET DE VIS  
5010005006**

# BARBECUE : MASTER 4 SERIES CLASSIC WL

(MOD. FROM / A PARTIR DE 2018)



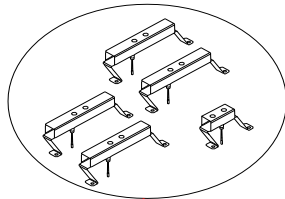
SPARE PARTS REF.	POINTS	EN DESCRIPTIONS	FR DESCRIPTIONS
31906	30	CYLINDER STRAP	SANGLE BOUTEILLE
67985	90	SET OF WHEELS (x2)	ENSEMBLE ROUES (x2)
5010001598	100	STEEL HEAT DIFFUSER (x1) (MOD. BEFORE 1019)	DIFFUSEUR DE CHALEUR ACIER (x1) (MOD. AVANT 2019)
5010001669	30	GREASE DRAWER TENT	TENTE TIROIR RAMASSE GRAISSE
5010001671	50	GREASE PLATE (x1)	PLATEAU RAMASSE GRAISSE (x1)
5010001681	60	HEAT SHIELD	PARE CHALEUR
5010002192	40	USTENSIL HOOK	PORTE USTENSILES
5010002282	30	REINFORCEMENT WIRE SIDE SHELF	FIL RENFORT ETAGERE
5010003346	40	AXLE SUPPORTS FOR DOORS (MOD. 2016 AND AFTER) + 2 CHASSIS SQUARES	SUPPORTS AXE PORTES (MOD. A PARTIR DE 2016) + 2 EQUERRES CHASSIS
5010003848	70	RIGHT AND LEFT SIDE SHELF SUPPORTS	SUPPORTS (DROITE ET GAUCHE) ETAGERE
5010004124	220	LEFT OR RIGHT WOODY SIDE TABLE - TEXTURED DARK GREY	ETAGERE BOIS GAUCHE OU DROITE - GRAINE GRIS FONCE
5010004294	180	STAINLESS STEEL BURNER 50Mb	BRULEUR INOX 50Mb
5010004295	60	KNOB (X3)	VOLANT (X3)
5010004296	120	ENAMELLED STEEL HEAT DIFFUSER (X1) (MOD. FROM 2019)	DIFFUSEUR DE CHALEUR ACIER EMAILLE (X1) (MOD. A PARTIR DE 2019)
5010004299	80	WINDSHIELD (BLACK)	PAREVENT (NOIR)
5010004724	90	WARMING GRID (X2)	GRILLE DE MIJOTAGE (X2)
5010004726	290	KIT OF REMOVABLE PARTS (FIREBOX)	KIT DE PARTIES AMOVIBLES (CUVE)
5010004871	90	THERMOMETER WITH NUTS	THERMOMETRE AVEC ECROUS
5010004873	50	MAGNETS (X2)	AIMANTS (X2)
5010004926	50	CHROMED PLASTIC HANDLE (LEFT OR RIGHT) + SCREWS (MOD. BEFORE 2019)	POIGNEE PLASTIQUE CHROME (GAUCHE OU DROITE) + VIS (MOD. AVANT 2019)
5010004931	50	LID PADS(x2) + BASE CUSHIONS(x2) + LEG GROMMETS(x4)	PATINS COUVERCLE(x2) + BOUCHONS CUVE(x2) + RONDELLES PIED(x4)
5010004961	70	LEFT OR RIGHT SIDE PANEL (TEXTURED DARK GREY)	PANNEAU LATERAL GAUCHE OU DROITE (GRAINE GRIS FONCE)
5010004964	210	CHASSIS	CHASSIS
5010004965	110	REAR PANEL	PANNEAU ARRIERE
5010004966	800	BLACK ENAMELLED LID WITH THERMOMETER	COUVERCLE EMAILLE NOIR AVEC THERMOMETRE
5010004967	240	LEFT DOOR WITHOUT HANDLE - DARK GREY	PORTE GAUCHE SANS POIGNEE - GRIS FONCE
5010004970	240	RIGHT DOOR WITHOUT HANDLE - DARK GREY	PORTE DROITE SANS POIGNEE - GRIS FONCE
5010004974	240	BASE FRAME	CADRE SUPPORT DE CUVE
5010004975	190	ENAMELLED CAST IRON COOKING GRID - MATTE	GRILLE DE CUISSON FONTE EMAILLE - MATE
5010004980	120	SKIRT (MOD. FROM 2018)	JUPE (MOD. A PARTIR DE 2018)
5010004982	60	TOP FRONT PANEL	CONSOLE HAUT
5010004986	290	KIT LEGS (x4)	KIT PIEDS (x4)
5010005006	80	SCREW BAG	SACHET DE VIS
5010005330	280	ELECTRONIC IGNITION SET	KIT ALLUMAGE ELECTRONIQUE
5010005377	250	ENAMELLED CAST IRON GRID (FRAME + CIRCLE) - MATTE (MOD. FROM 2019)	GRILLE FONTE EMAILLEE (CADRE + CERCLE) - MATE (MOD. A PARTIR DE 2019)
5010005392	180	KIT OF ELECTRODES + HOUSINGS	KIT ELECTRODES + SUPPORTS
5010005394	210	ENAMELLED CAST IRON GRID - MATTE (MOD. FROM 2019)	GRILLE DE CUISSON FONTE EMAILLEE - MATE (MOD. A PARTIR DE 2019)
5010005597	180	ELECTRONIC IGNITION SET (2/4 OUTLETS) WITH CONNECTION WIRES	KIT ALLUMAGE ELECTRONIQUE (2/4 SORTIES) AVEC CABLES DE CONNECTIONS

# BARBECUE : MASTER 4 SERIES CLASSIC WL

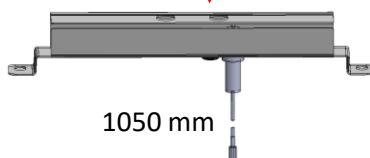
(MOD. FROM / A PARTIR DE 2018)

CAMPINGAZ®

5010005392



1

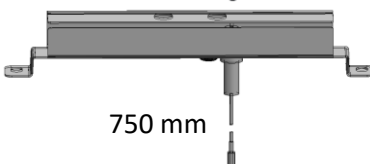


1050 mm

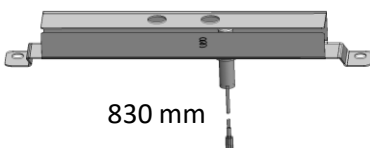


1050 mm

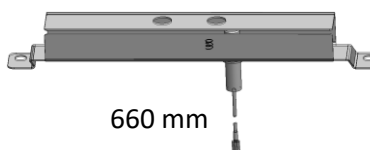
2



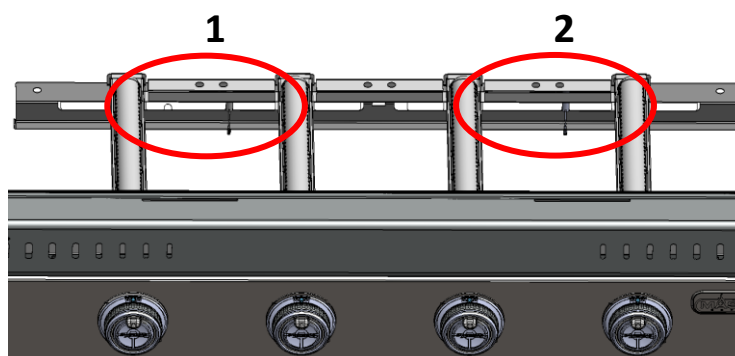
750 mm



830 mm



660 mm



1

2