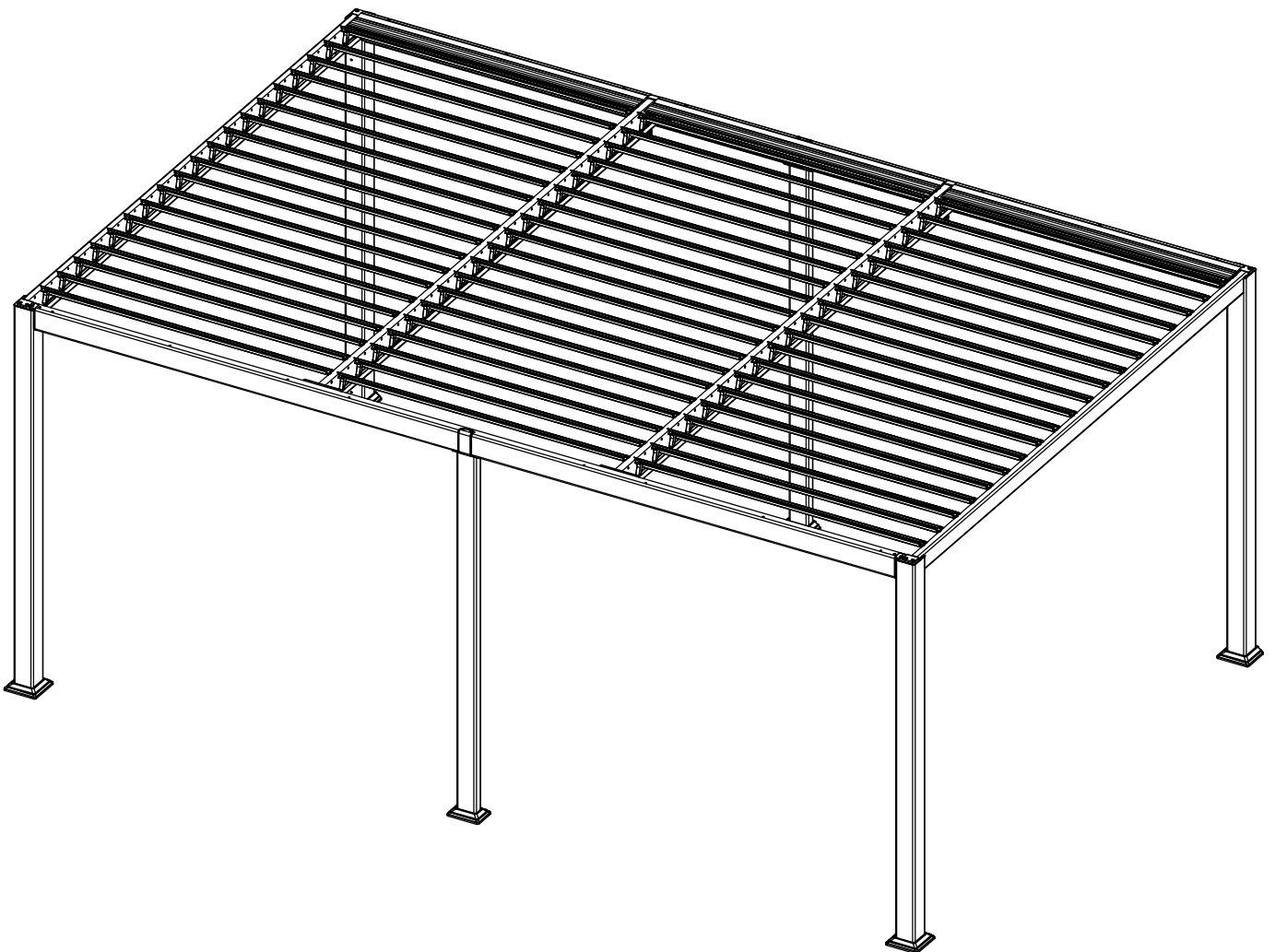
























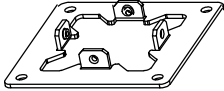

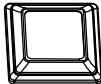
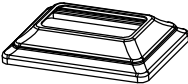


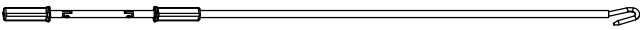
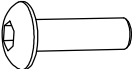
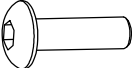
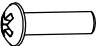
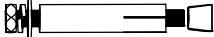
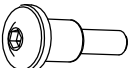

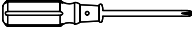




ASSEMBLY INSTRUCTION

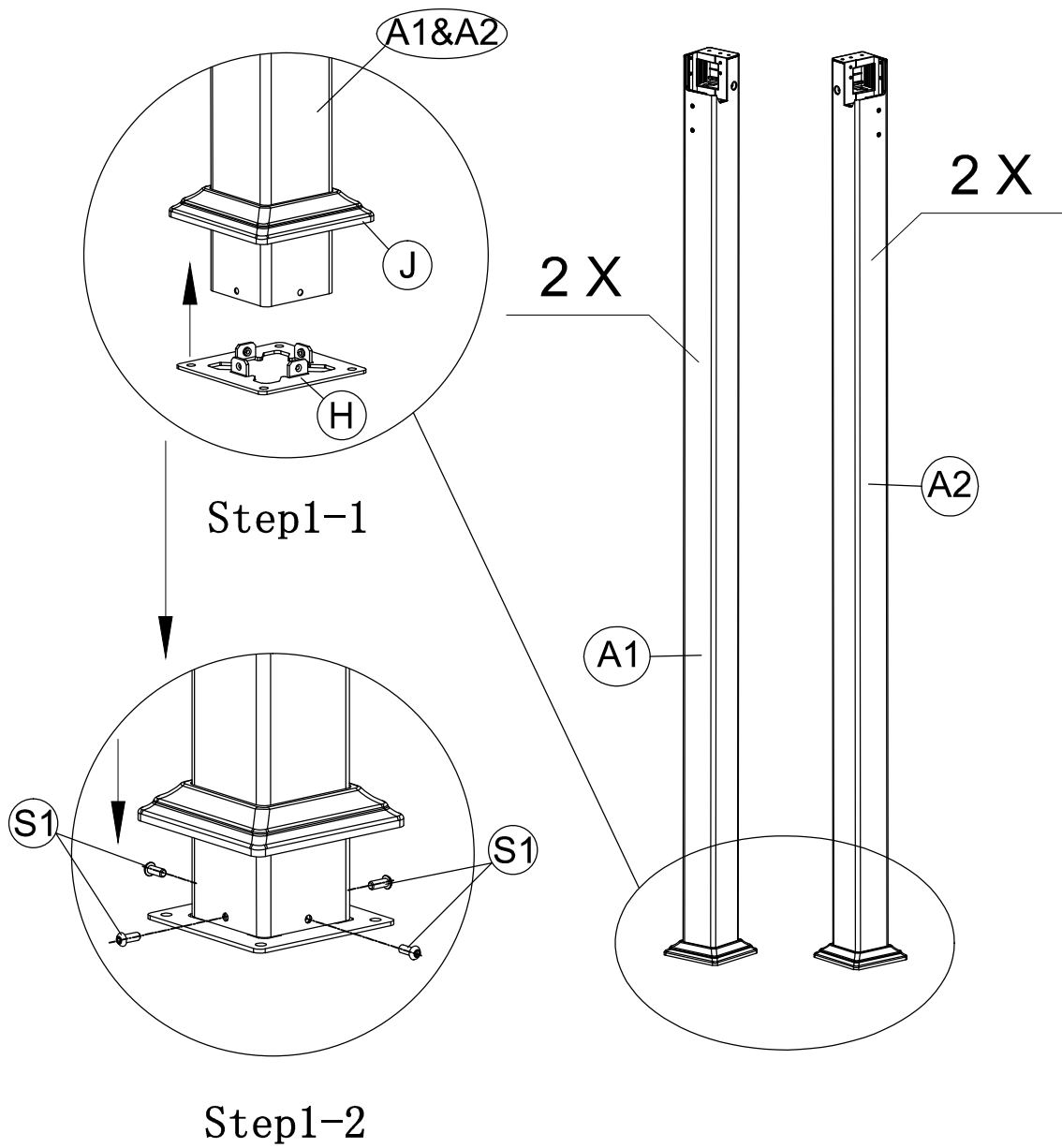
5.4*3.5*2.3M




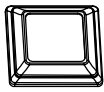
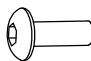


REF	PCE	PIECE		QTY	DIM
	A1			2	
	A2			2	
	A3			2	
	B1			2	
	B2			2	
	C1			1	
	C2			1	
	D			1	
	D1			1	
	F			114	
	G			2	
	G1			1	
	H			4	
	H1			2	
	J			4	

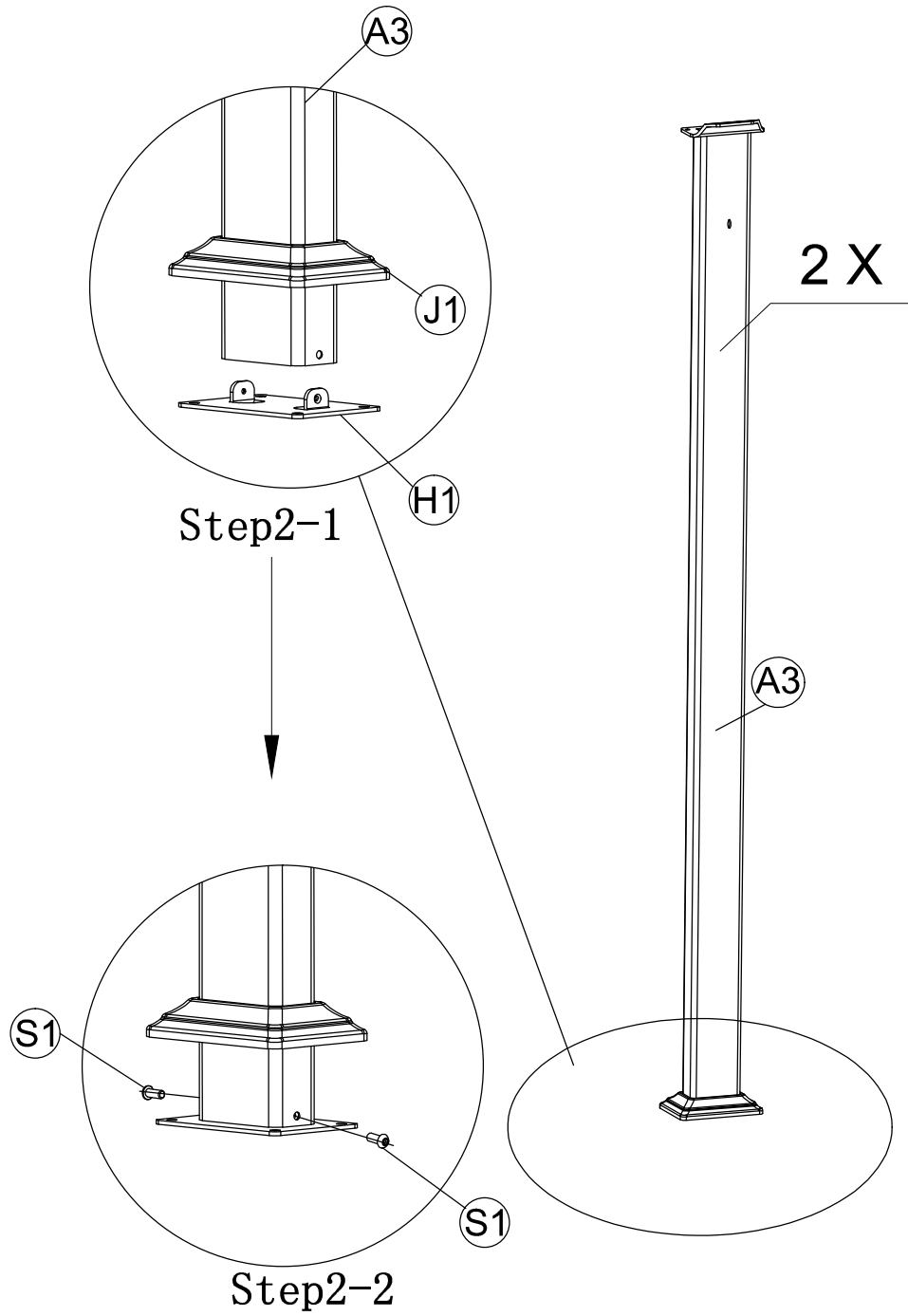
REF	PCE	PIECE	QTY	DIM
	J1		2	
	L		3	
	M		2	
	R		1	
	S1	 M6*15	34+2	
	S2	 M8*20	44+2	
	S3	 M4*18	3	
	S4		12+1	
	S5		2	
	T1		2	
	T2		1	
	T3		1	
		 Silicone neutral glass glue, purchased by customers		





STEP 01



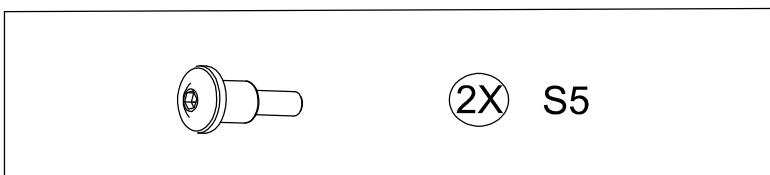
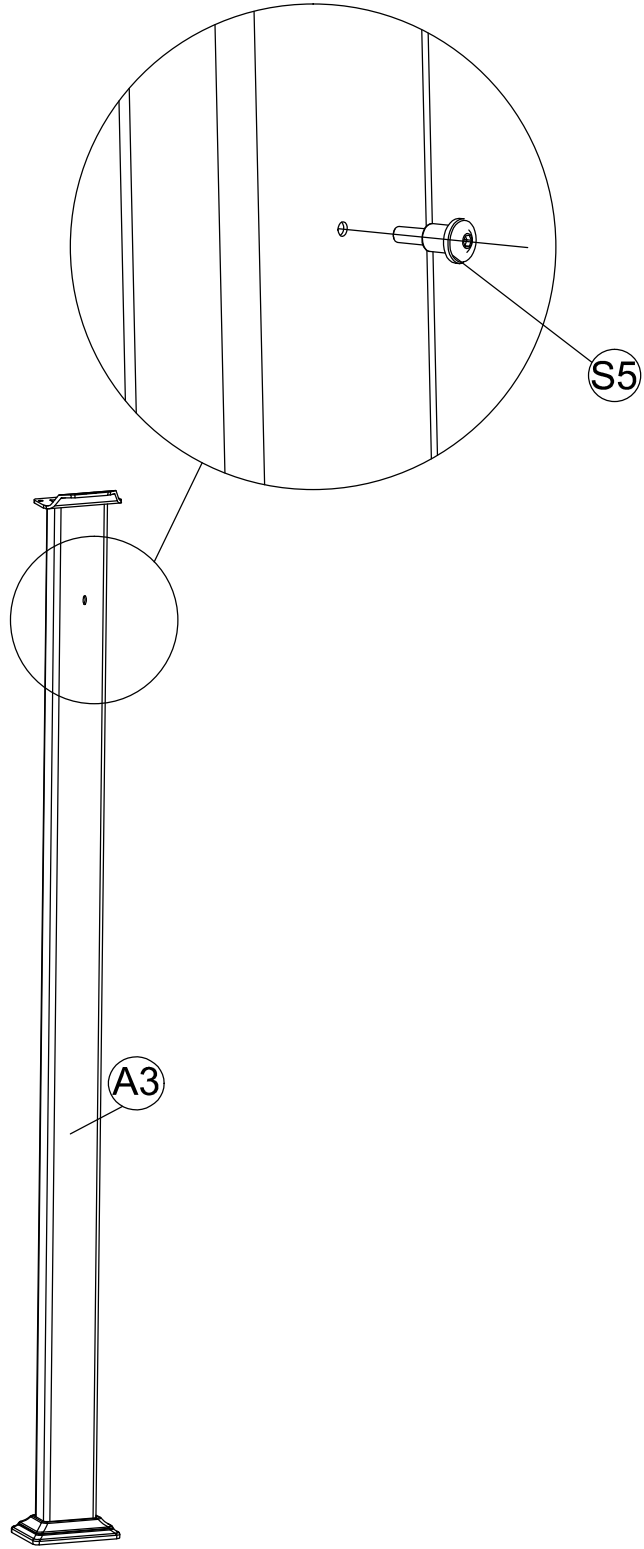
- | | | | |
|---|----------------|---|-----------------------|
|  | (2X) A1 |  | (4X) H |
|  | (2X) A2 |  | (4X) J |
| | |  | M6*15 (16X) S1 |

STEP 02

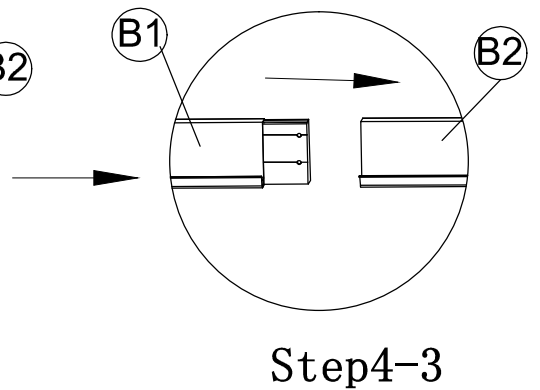
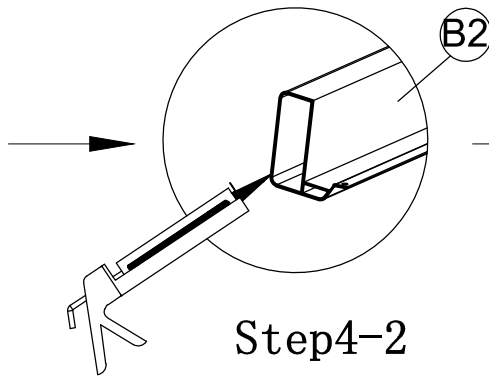
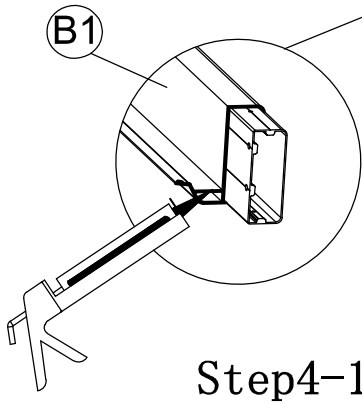
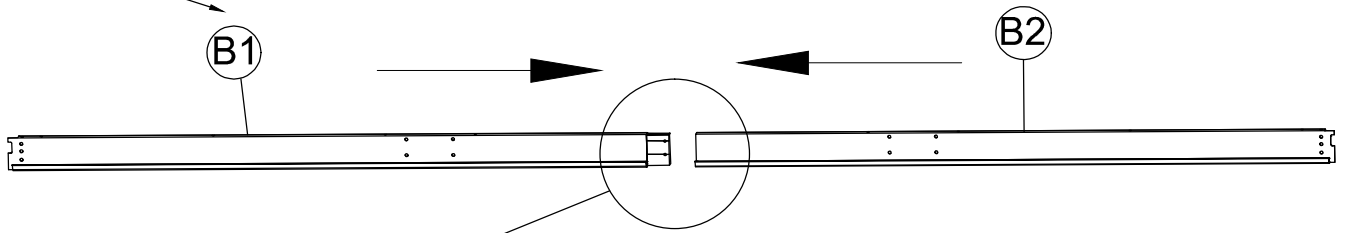


- | | | | | |
|---|---------|---|---|---------|
|  | (2X) A3 |  | (2X) H1 | |
|  | M6*15 | (4X) S1 |  | (2X) J1 |

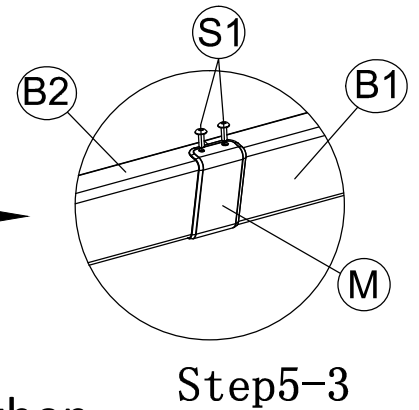
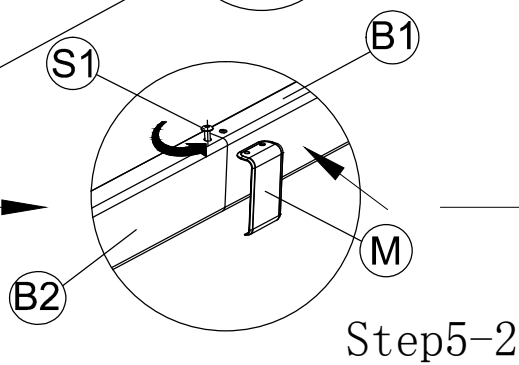
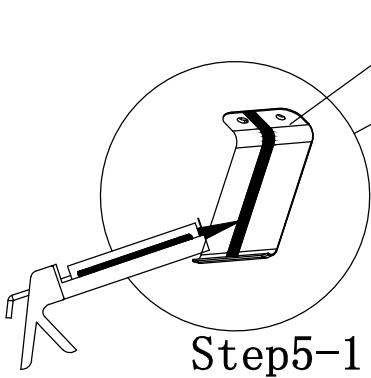
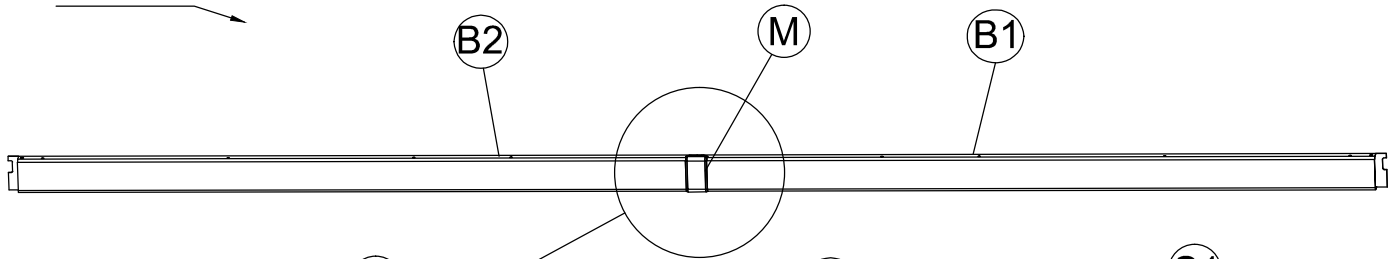
STEP 03



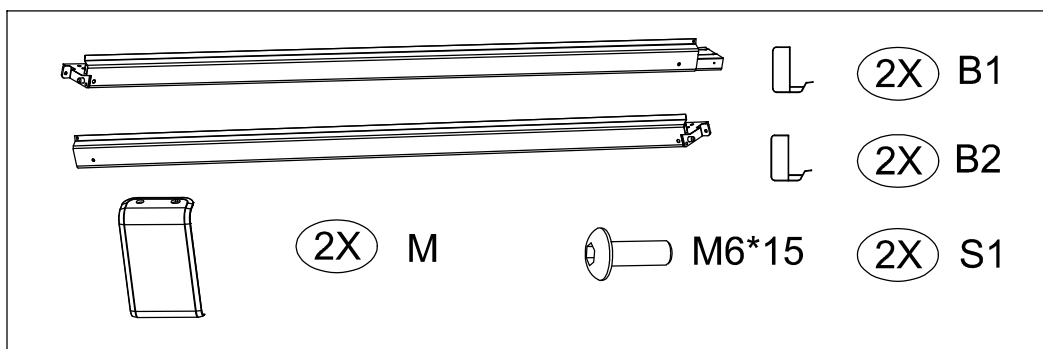
STEP 04



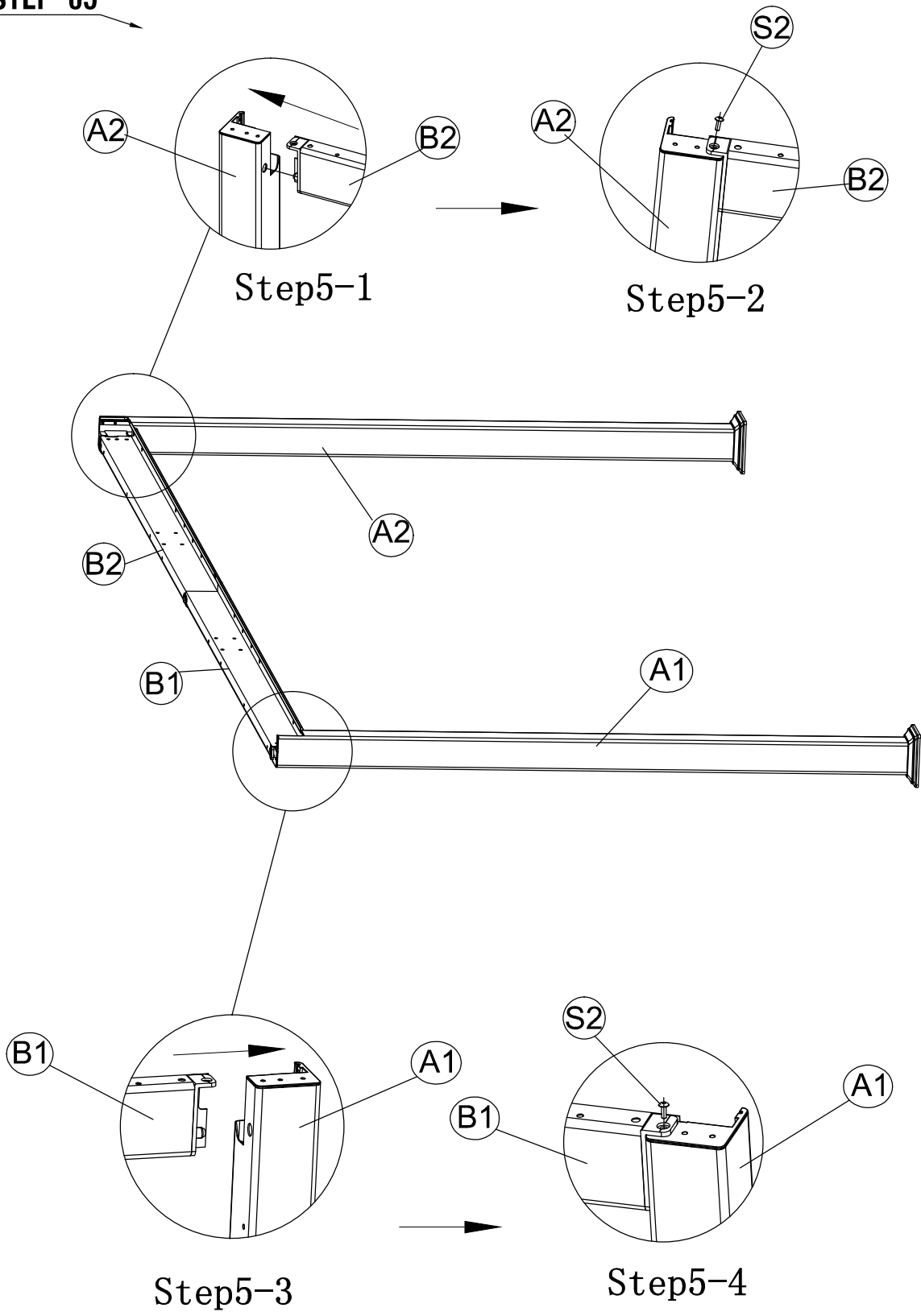
STEP 05



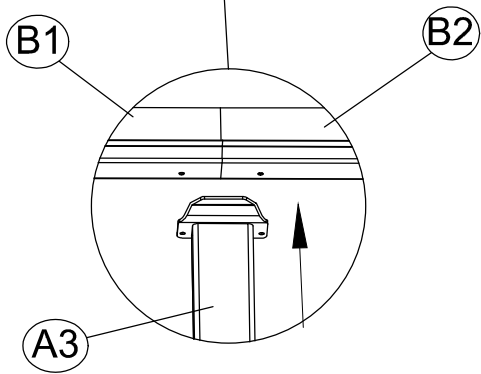
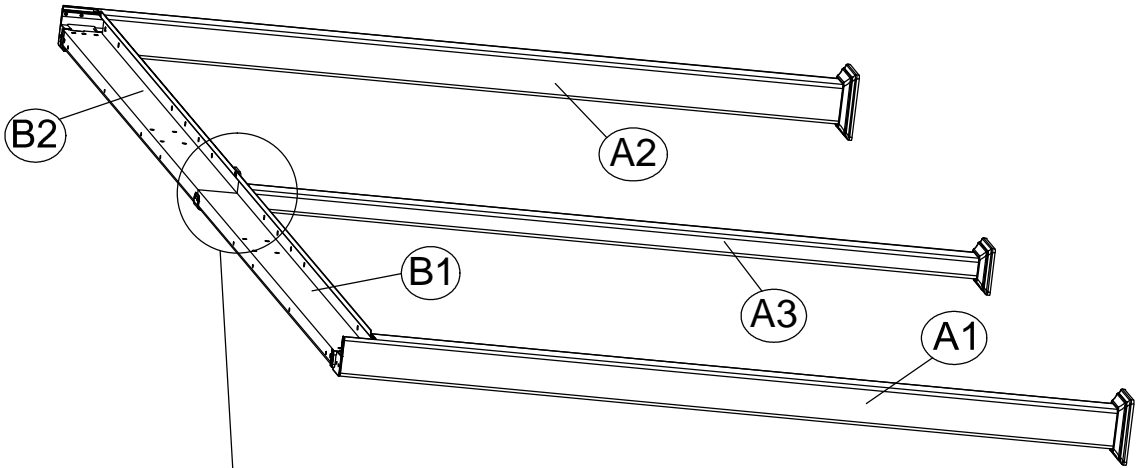
Take out part (S1) first, then assemble part (M)



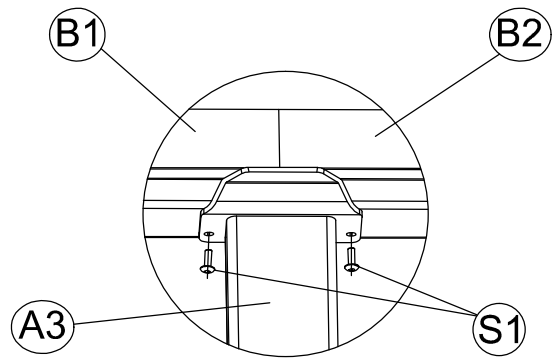
STEP 05



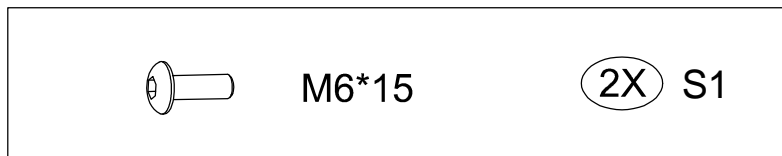
STEP 06



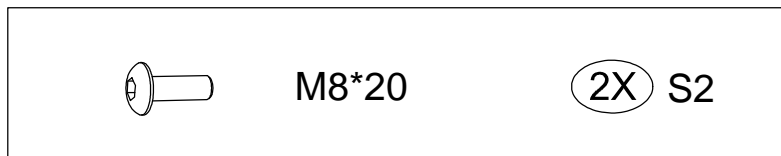
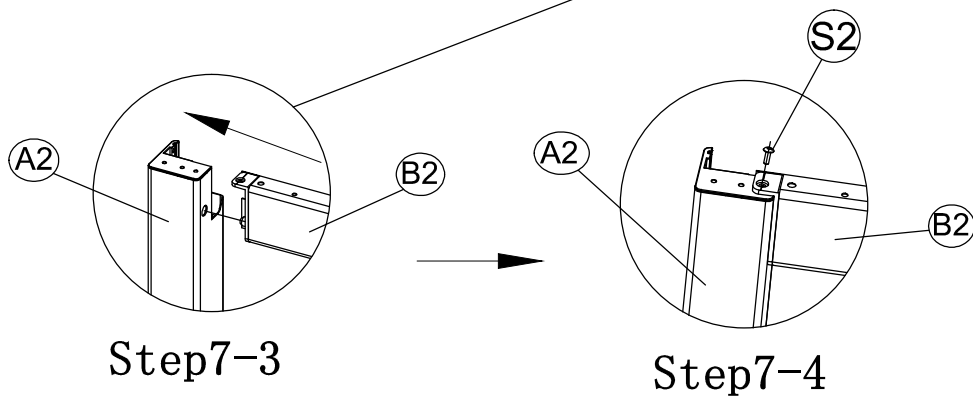
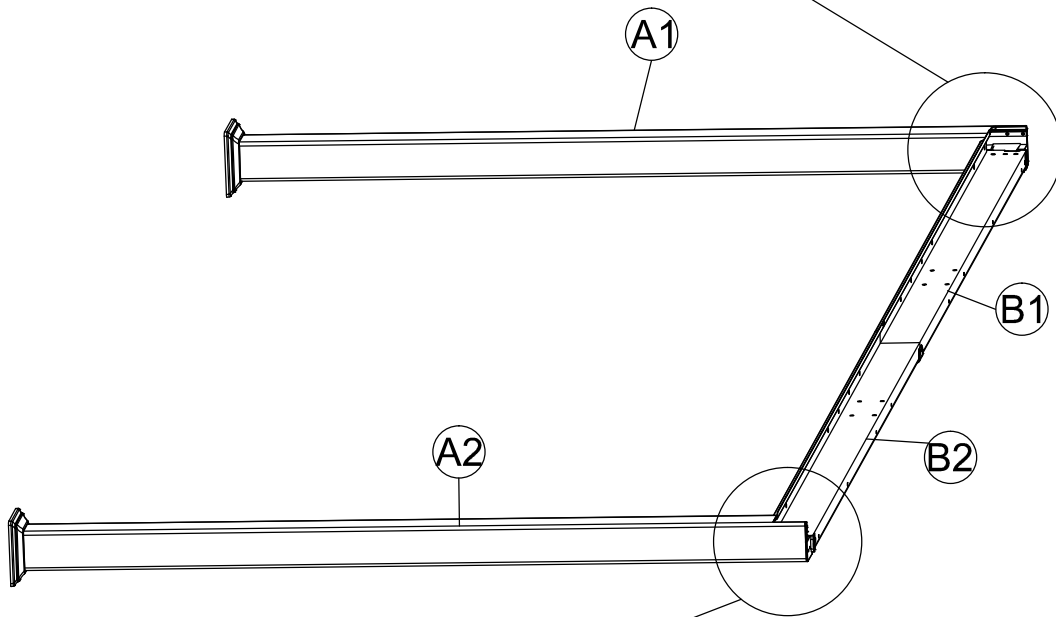
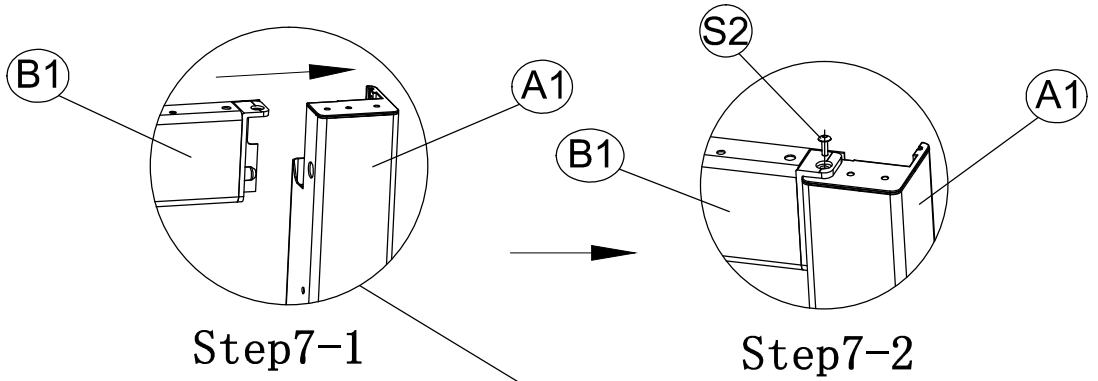
Step6-1



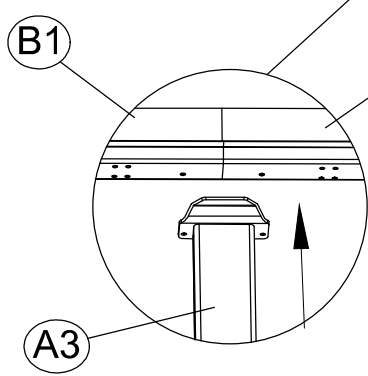
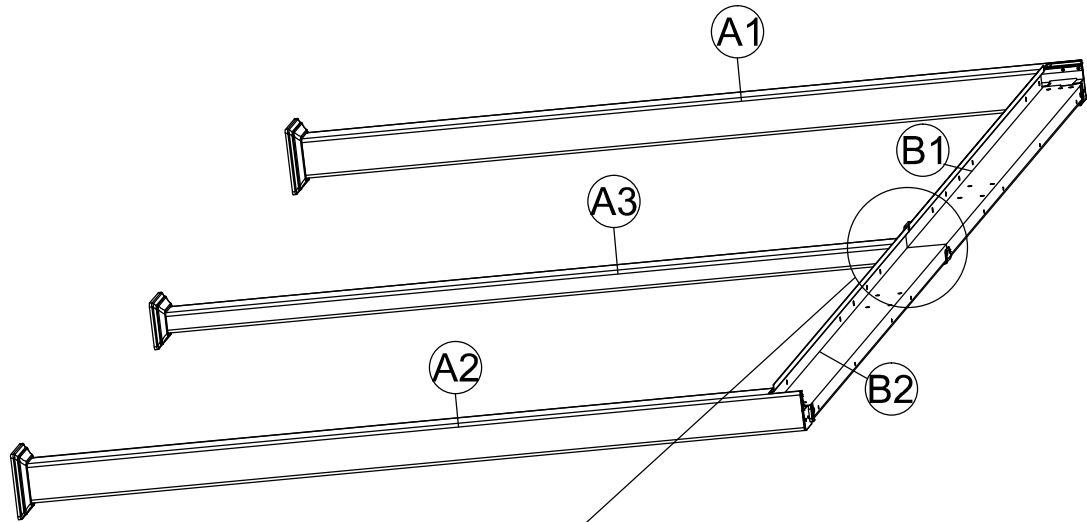
Step6-2



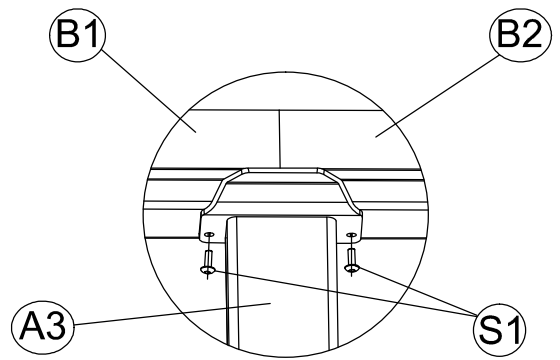
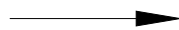
STEP 07



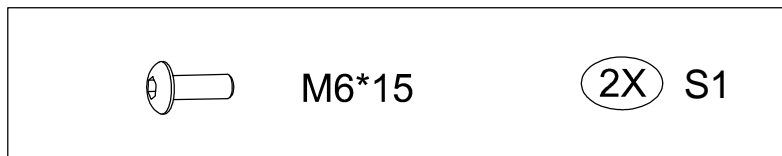
STEP 08



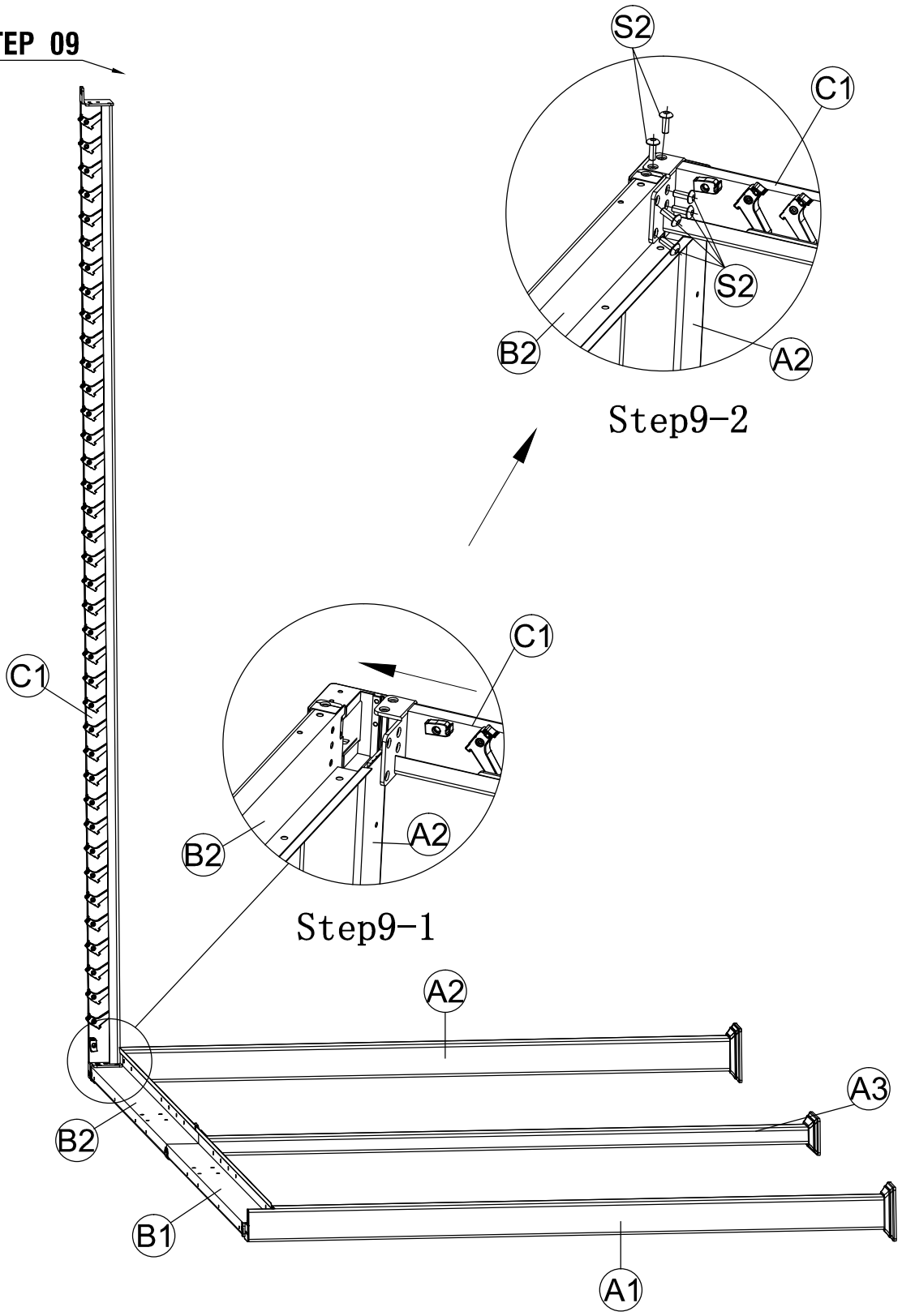
Step8-1



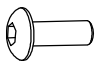


Step8-2

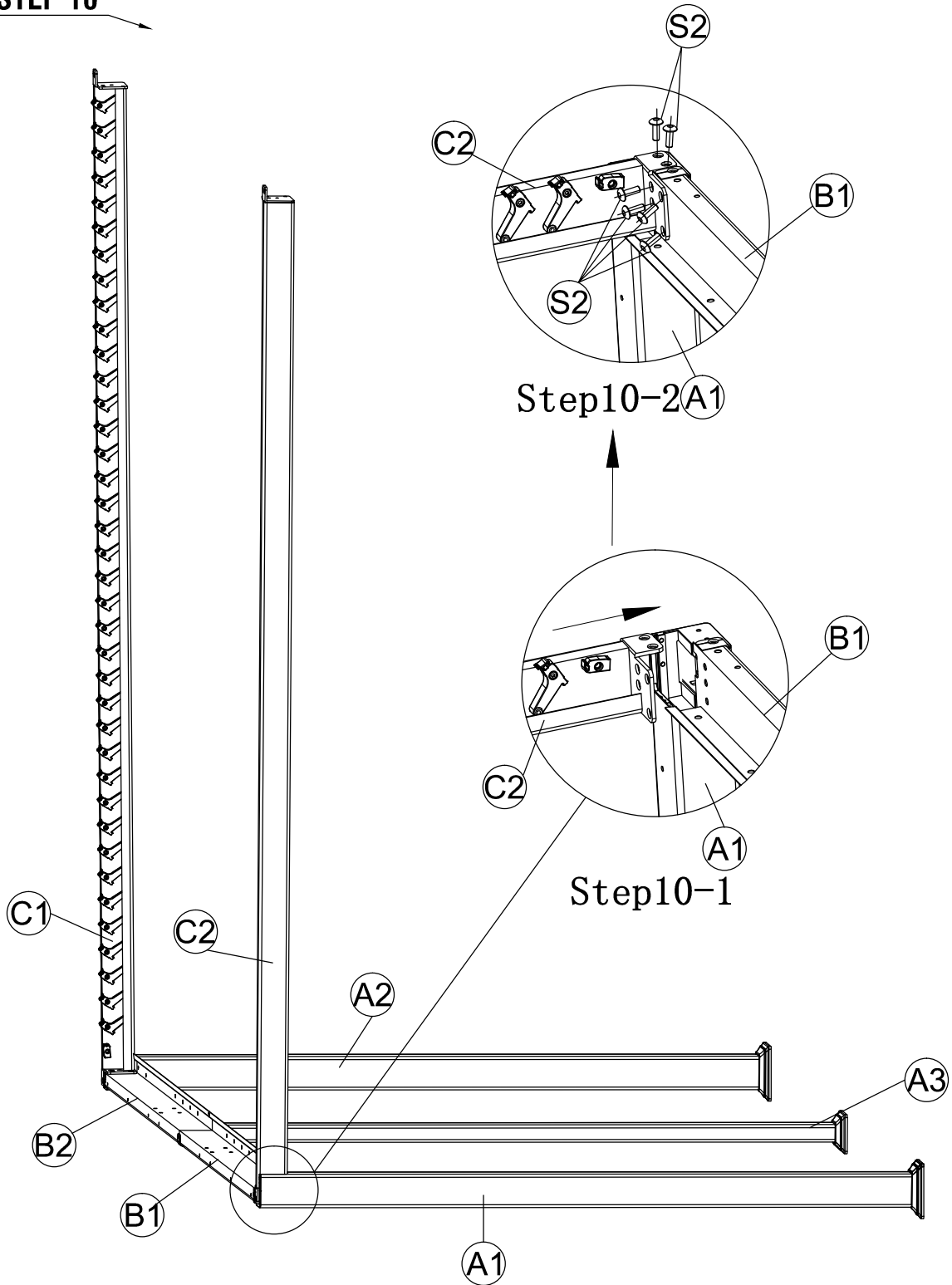


STEP 09



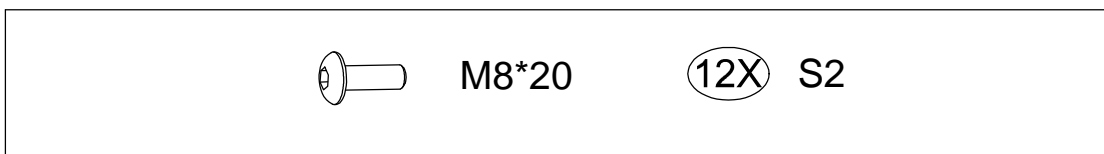
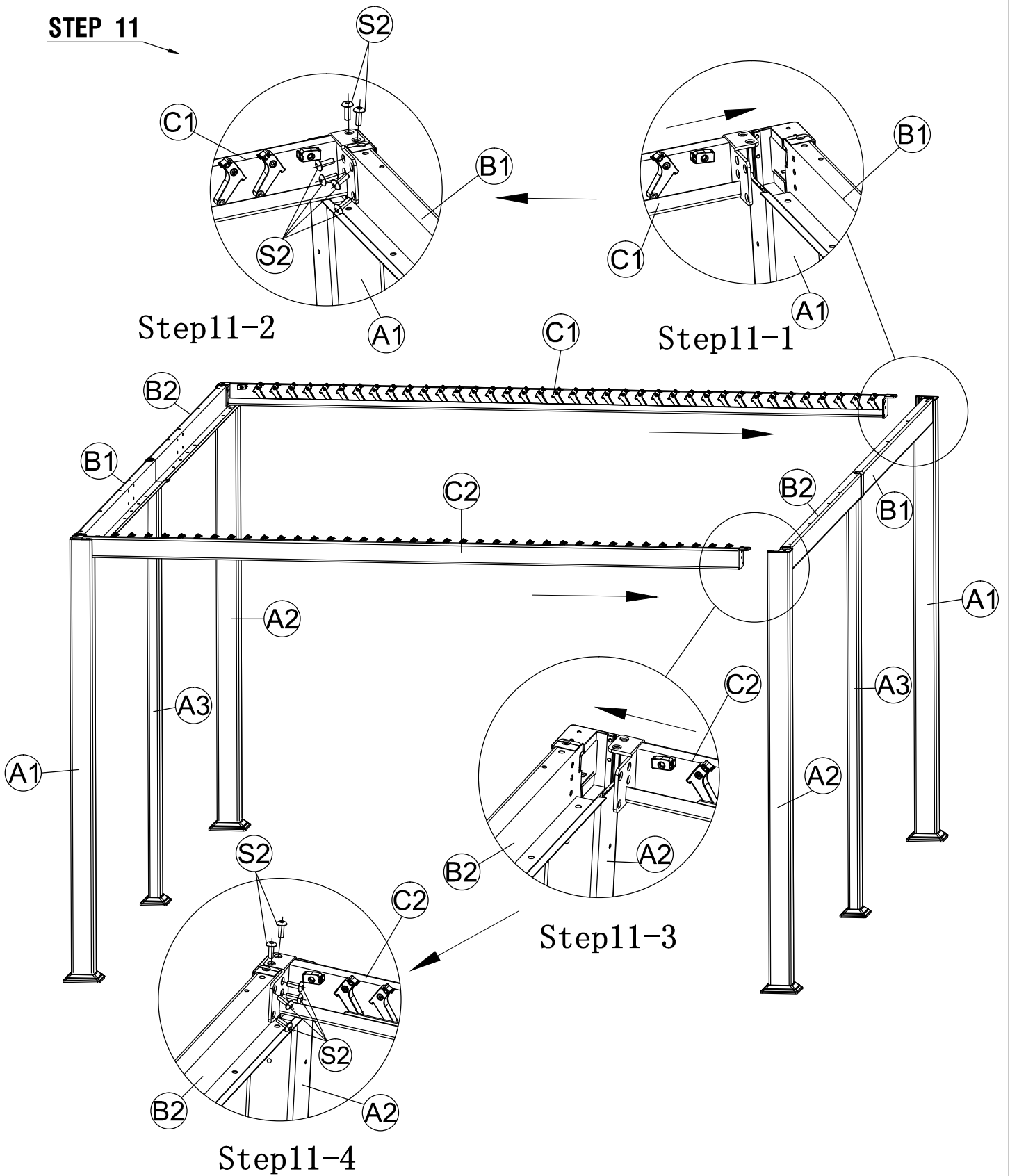
		1X C1
	M8*20	6X S2

STEP 10

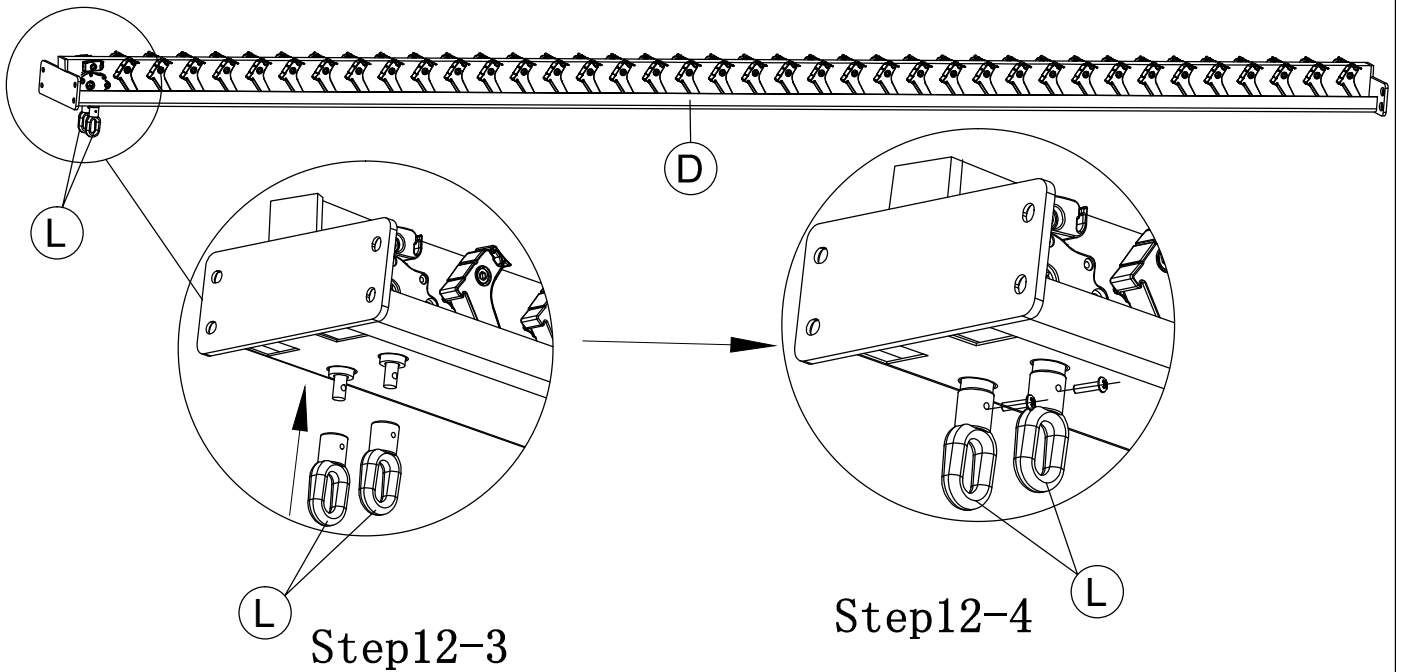
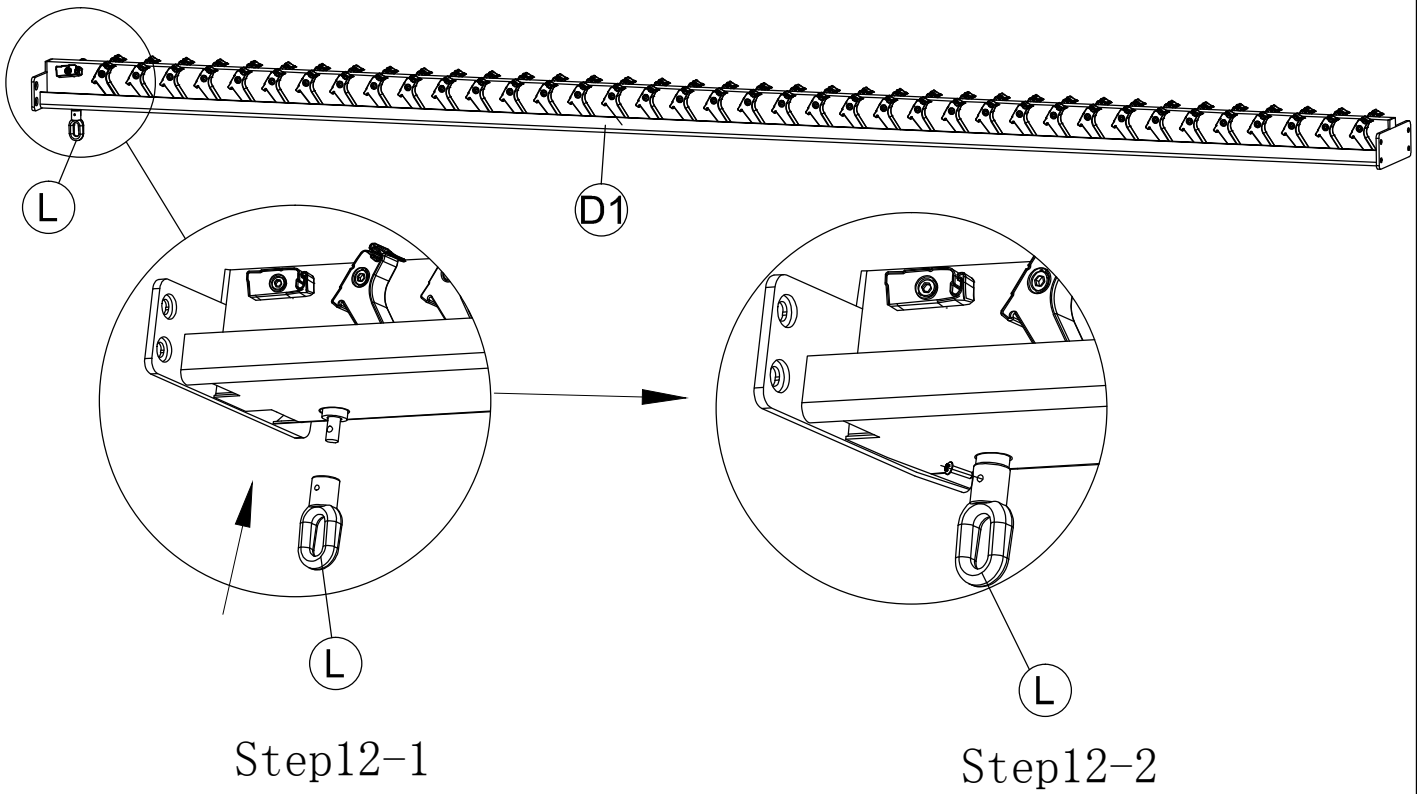


	⌒	(1X) C2
	M8*20	(6X) S2

STEP 11

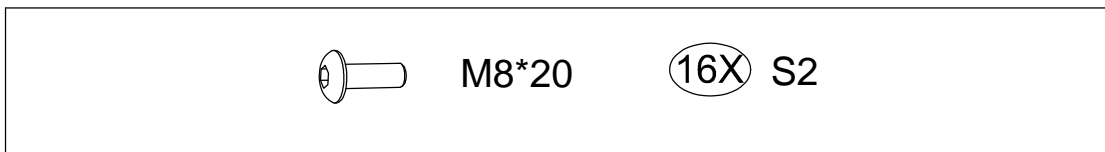
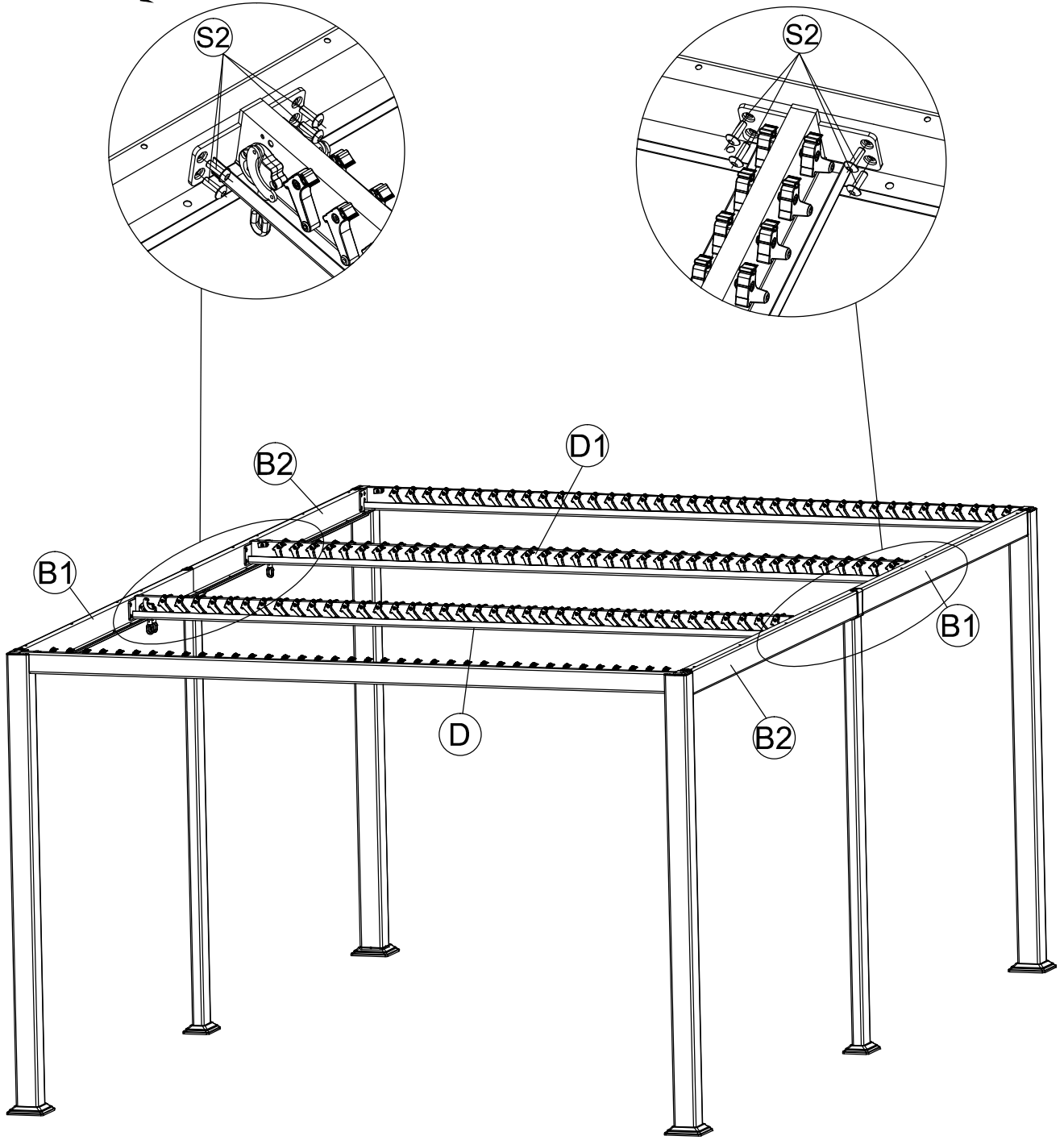


STEP 12

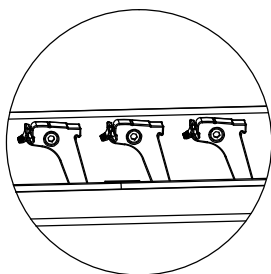
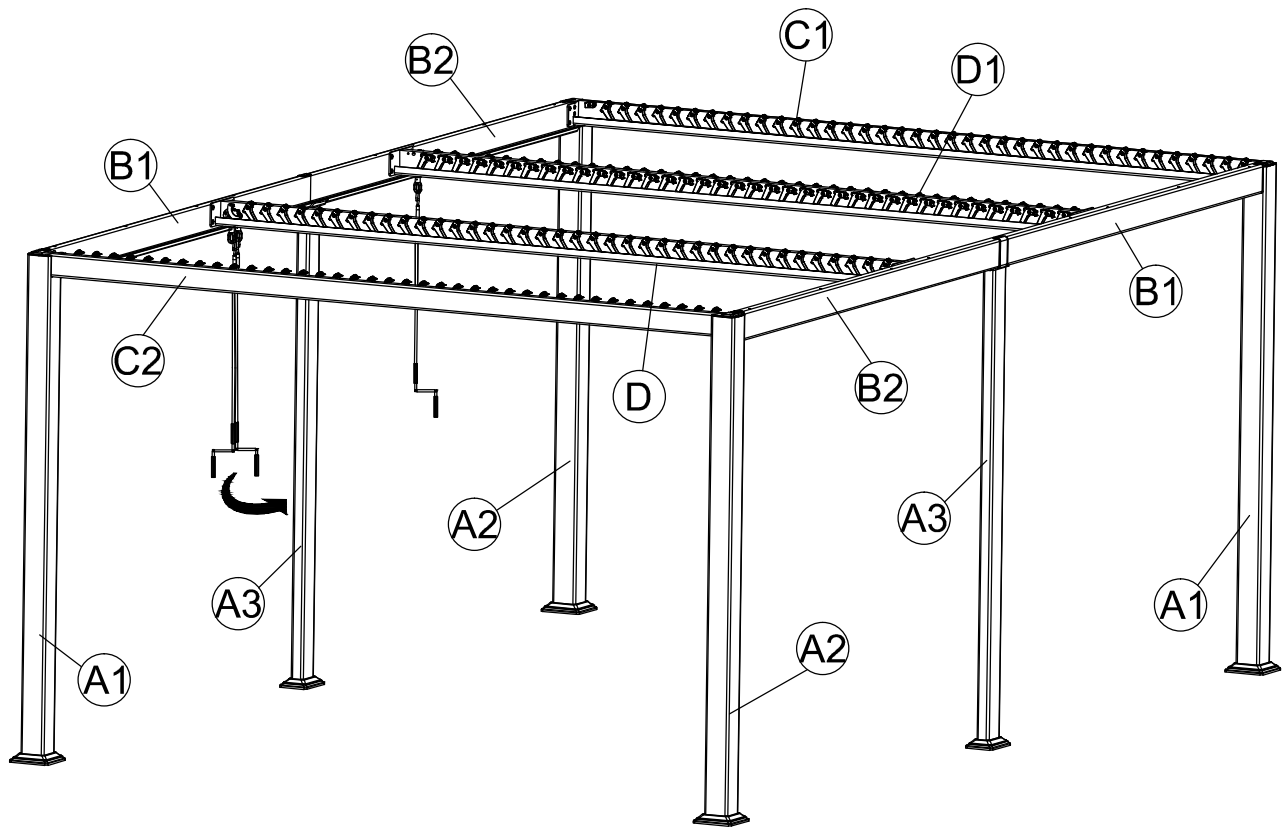


		(1X)	D1
		(1X)	D
	L	(3X)	
	M4*18	(3X)	S3

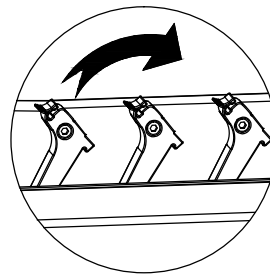
STEP 13



STEP 14



1



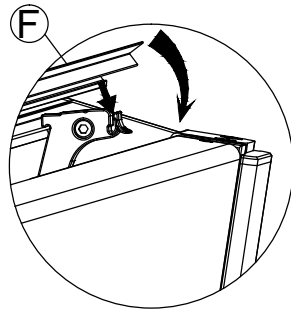
2

Turn the position from picture 1 to picture 2 first, then assemble the shutter.

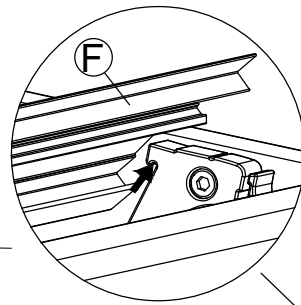


(1X) R

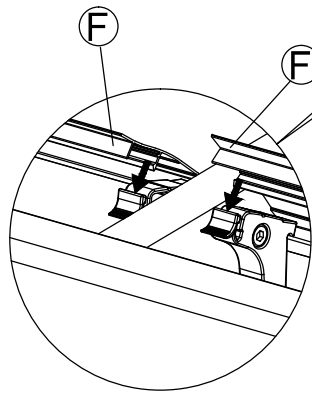
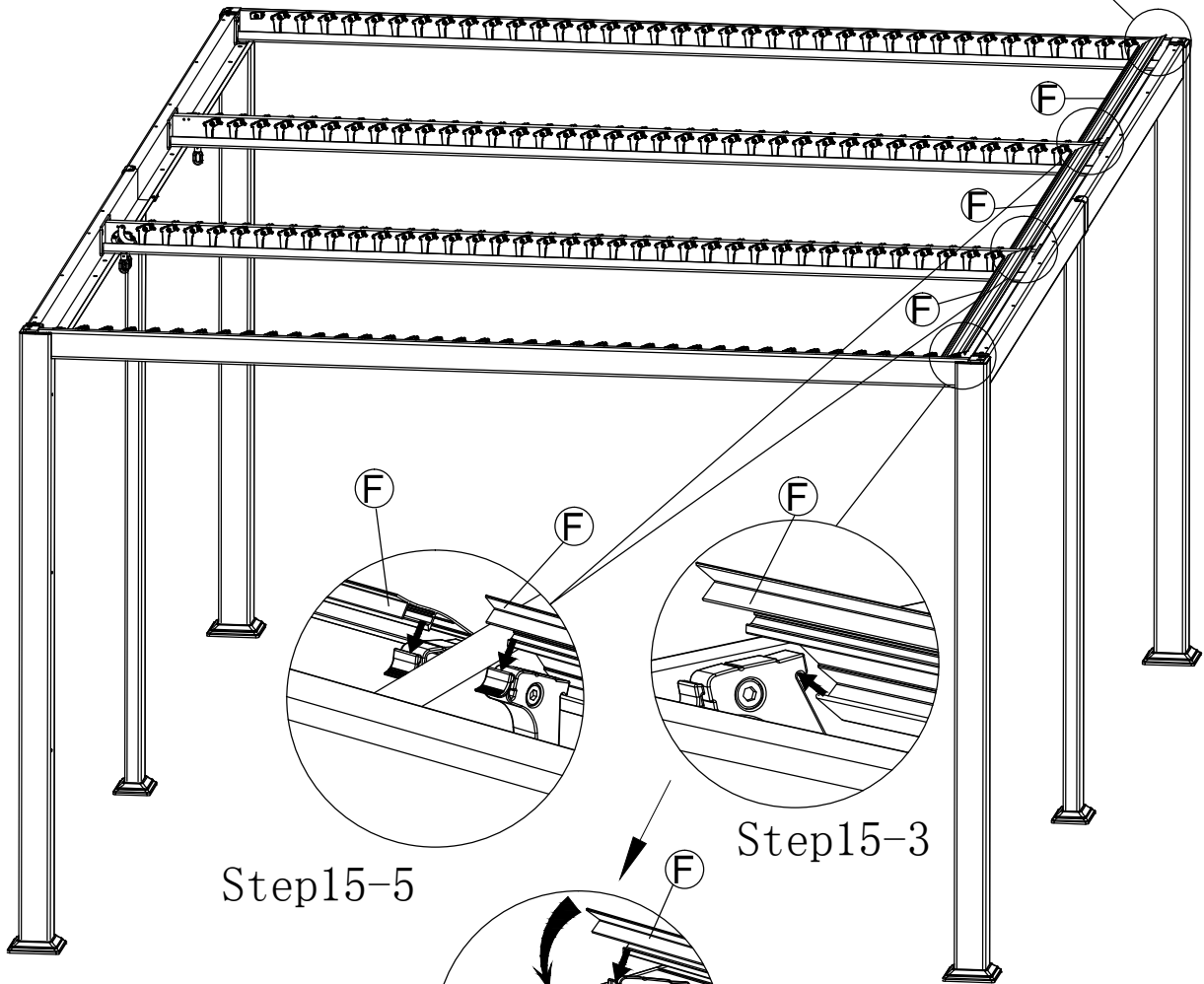
STEP 15



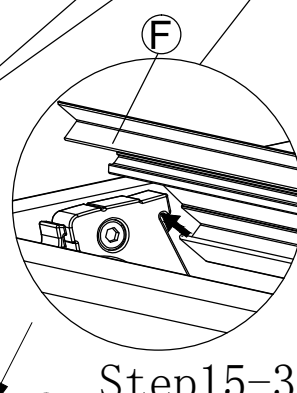
Step15-2



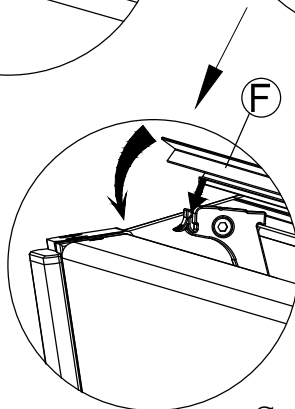
Step15-1



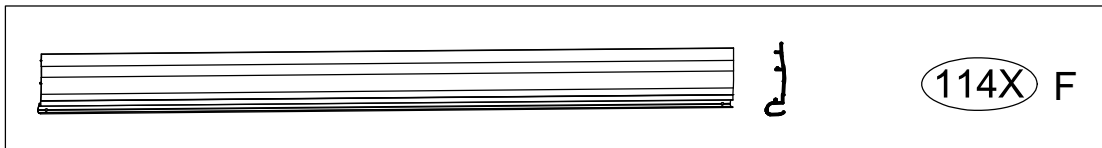
Step15-5



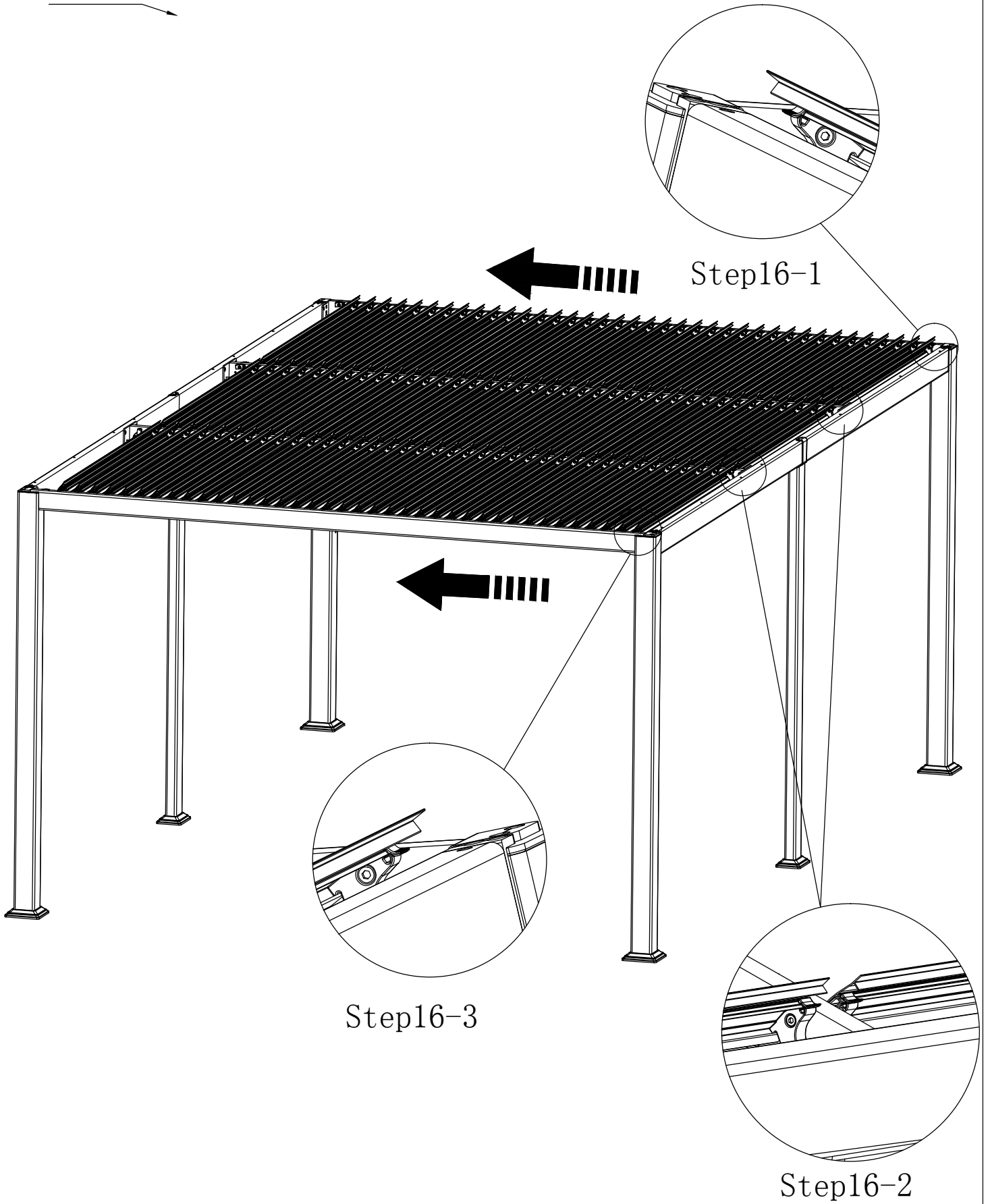
Step15-3



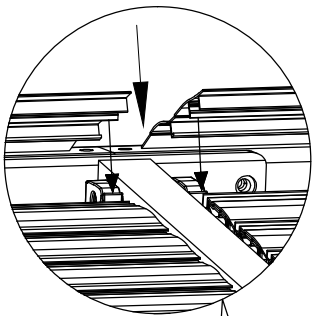
Step15-4



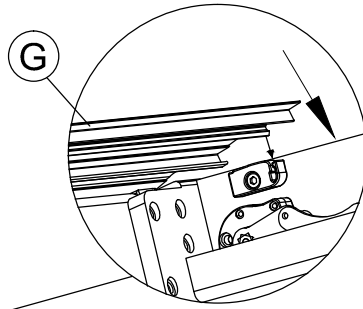
STEP 16



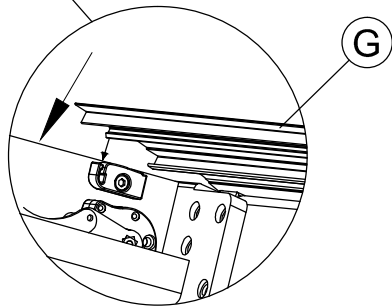
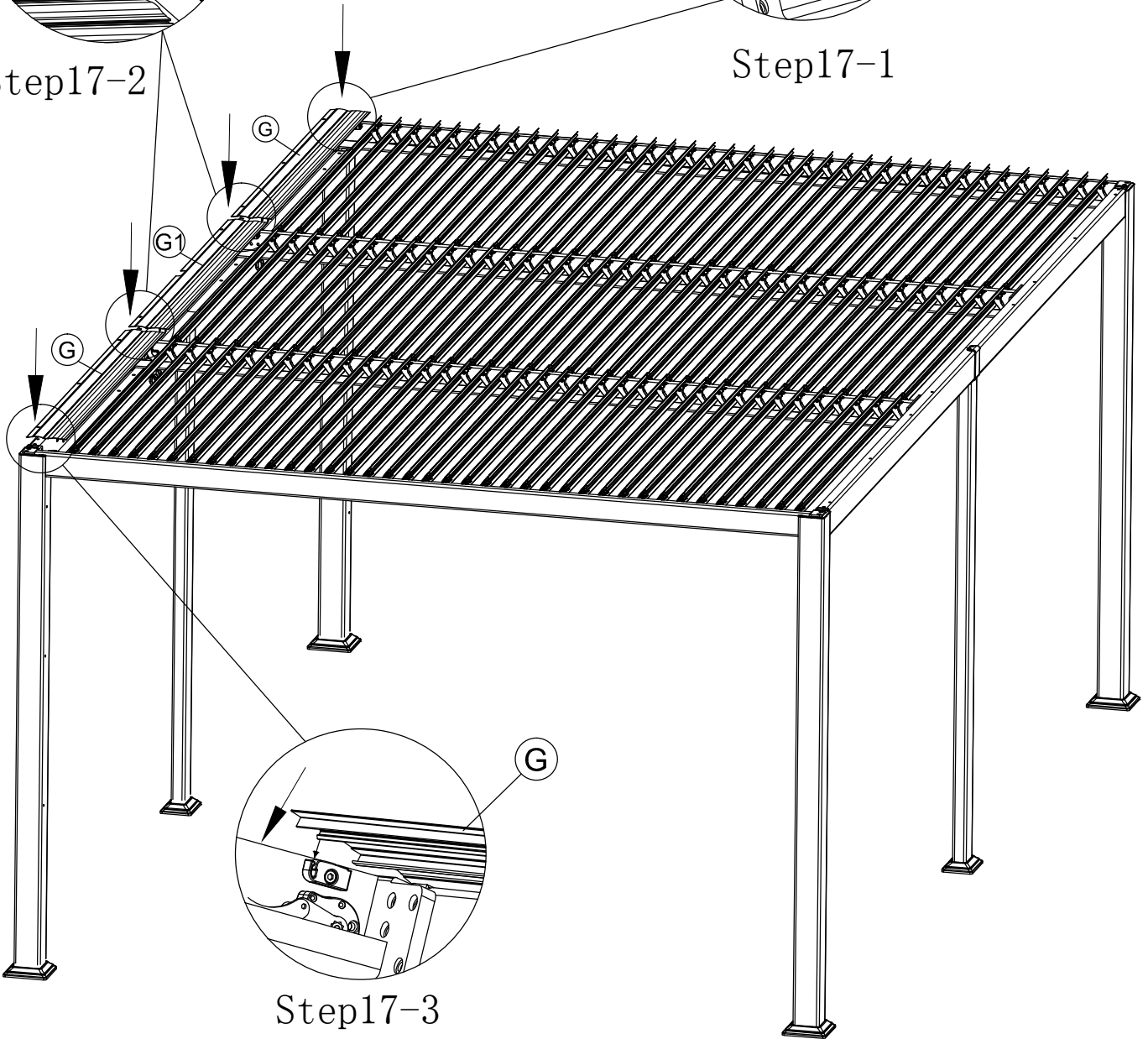
STEP 17



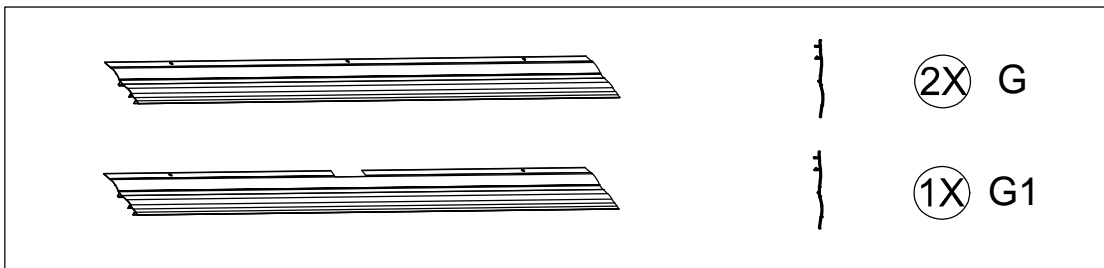
Step17-2



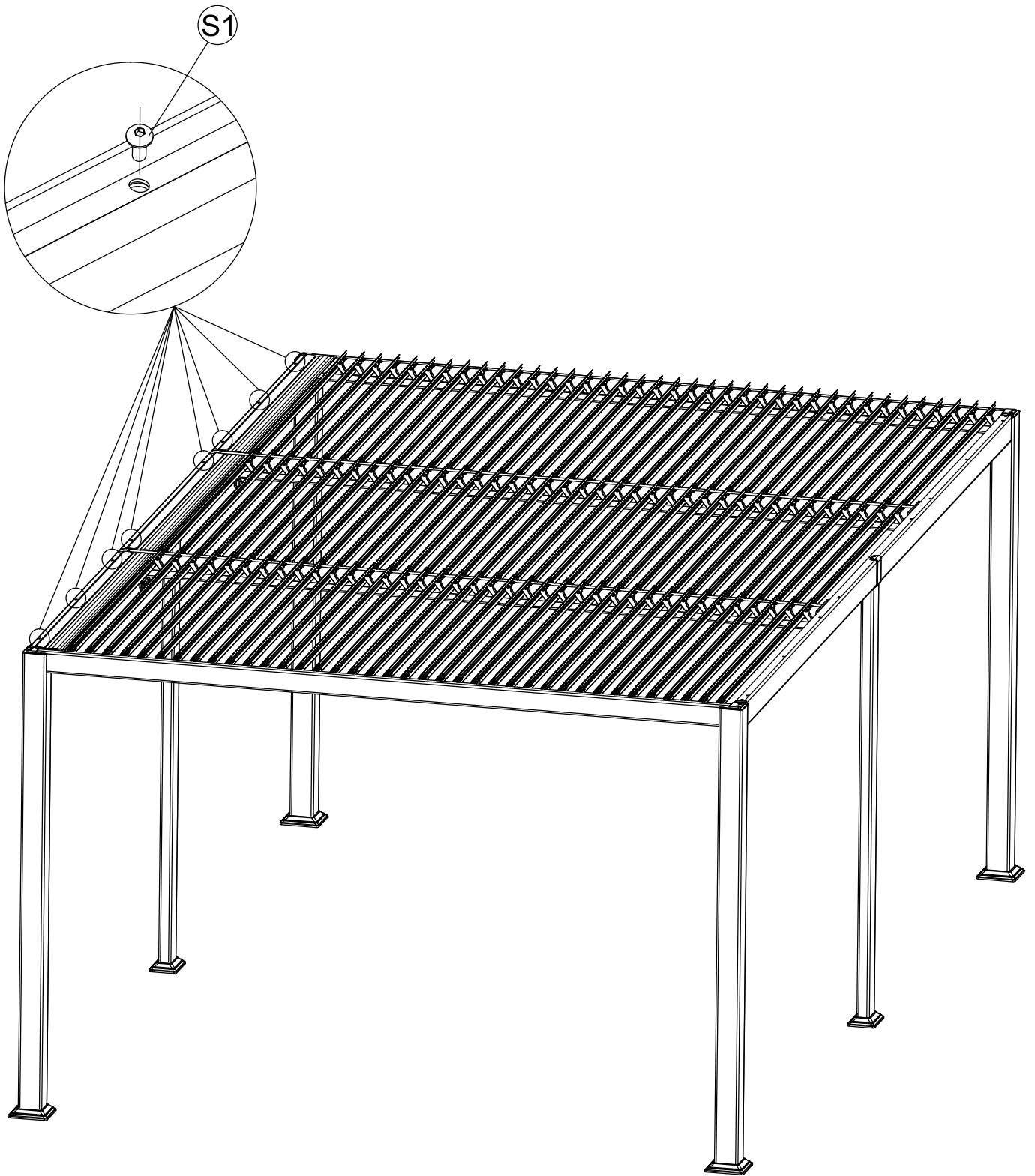
Step17-1





Step17-3

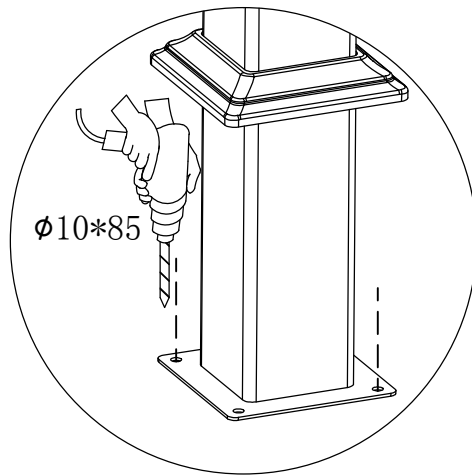
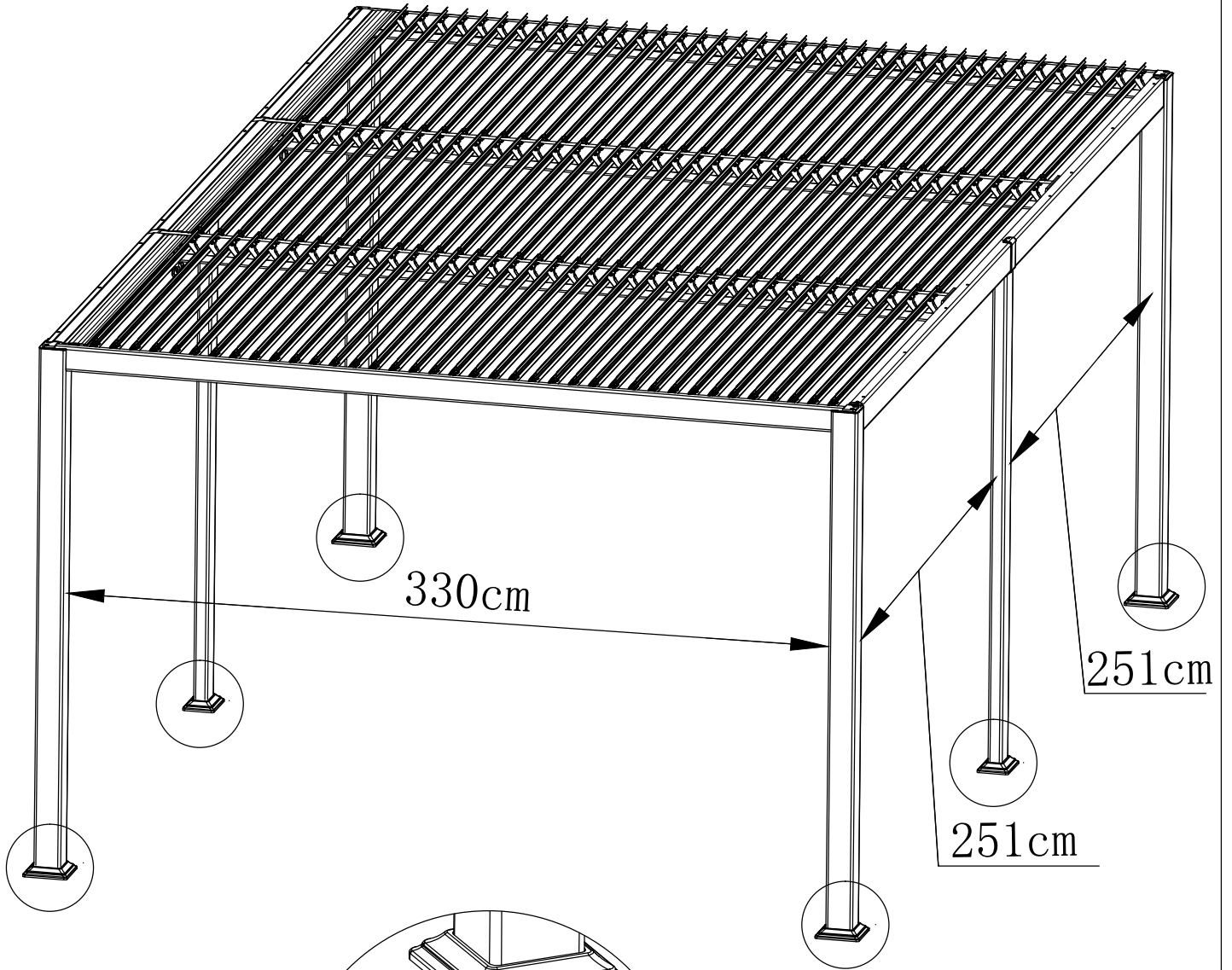


STEP 18



	M6*15	
---	-------	---

STEP 19



STEP 20

