

T8 LED Tube Light

S803T

160lm/W



RoHS



Product Specification

Luminance Efficacy: Frosted Cover:160lm/W
Clear Cover:170lm/W

LED Type: 2835 LED,Epistar

Input Voltage: AC100-240V

CCT:3000K 4000K 5000K 6000K

CRI:>80

PF:>0.95

Beam Angle:140°

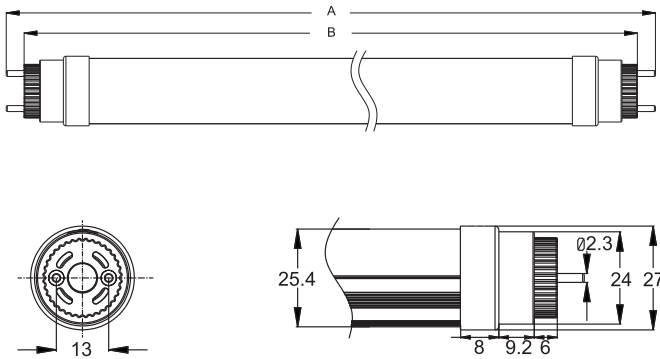
Driver Type: Internal Driver

Working Temperature: -20°C-48°C

Product Feature

- Pretty and elegant appearance,G13 fixed or rotating end cap is available.
- Colorful metal rings available,Blue,Green,Silver, Red and Gold.
- ODM/OEM service available,Laser print customer LOGO and customer exclusive lable.
- 6063 Aluminum housing,polycarbonate cover, long lifespan.
- Professional design of optics,no shadow,no light spot.
- Mainly used in factory,supermarket,carpark, hospital and school.

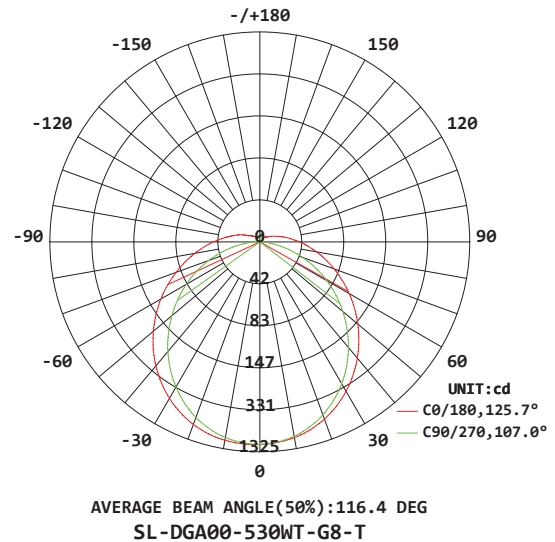
Specification



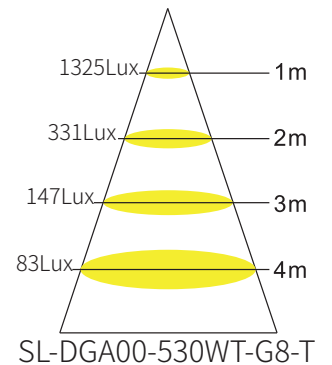
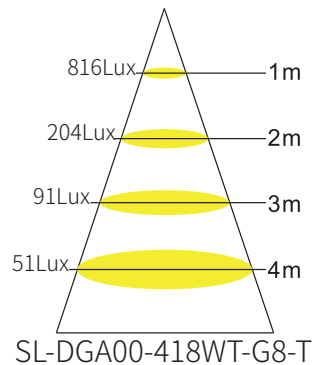
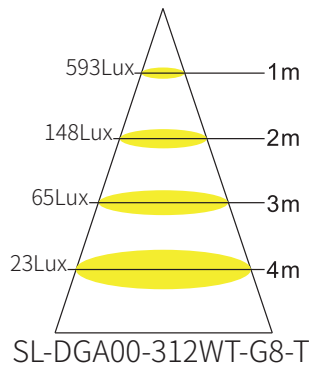
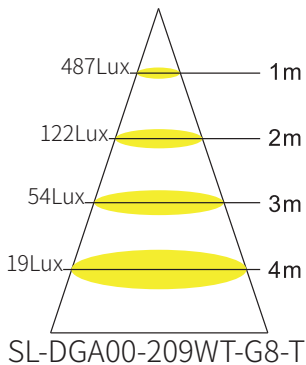
	2feet 588 Dimension	3feet 892 Dimension	4feet 1198 Dimension	5feet 1498 Dimension
A:	602mm	906mm	1213mm	1513mm
B:	588mm	892mm	1198mm	1498mm

Beam angle

LUMINOUS INTENSITY DISTRIBUTION DIAGRAM



Illumination Distribution Drawing



Product Model

Model No.	Length	Power	Lumen(lm)	LED Qty	Size(mm)	Carton Size(cm)	N.W	G.W/25PCS
SL-DGA00-206WT-G8-T	2ft	6W	960	72pcs	Φ26*L588	L66*W22*H22	6.4kg	6.7kg
SL-DGA00-209WT-G8-T	2ft	9W	1440	72pcs	Φ26*L588	L66*W22*H22	6.4kg	6.7kg
SL-DGA00-312WT-G8-T	3ft	12W	1920	96pcs	Φ26*L892	L95*W22*H22	10.3kg	10.6kg
SL-DGA00-412WT-G8-T	4ft	12W	1920	144pcs	Φ26*L1198	L125*W22*H22	10.3kg	10.6kg
SL-DGA00-418WT-G8-T	4ft	18W	2880	144pcs	Φ26*L1198	L125*W22*H22	12.6kg	12.9kg
SL-DGA00-420WT-G8-T	4ft	20W	3200	144pcs	Φ26*L1198	L125*W22*H22	12.6kg	12.9kg
SL-DGA00-520WT-G8-T	5ft	20W	3200	192pcs	Φ26*L1498	L156*W22*H22	14.6kg	14.9kg
SL-DGA00-525WT-G8-T	5ft	25W	4000	192pcs	Φ26*L1498	L156*W22*H22	14.6kg	14.9kg
SL-DGA00-530WT-G8-T	5ft	30W	4800	216pcs	Φ26*L1498	L156*W22*H22	14.7kg	15.0kg

*Remarks: 3000K, 4000K available, Only change "W" to "N", "L" in Model No.