

HOFTRONIC™

INSTALLATION INSTRUCTION LED T8 WATERPROOF FIXTURE

Features:

- Equipped with protection rubber
- Wiring specification: H07RN-3X1.0mm (Do not use PVC wire).
- Protection rate: IP65
- Suitable for ceiling or suspend mount
- Suitable for wattage: 1x18W, 2x18W, 1x22W and 2x22W
- Operating voltage: 220-240V AC
- Lamp type: T8 LED Tube single side
- Luminaire class: Class I

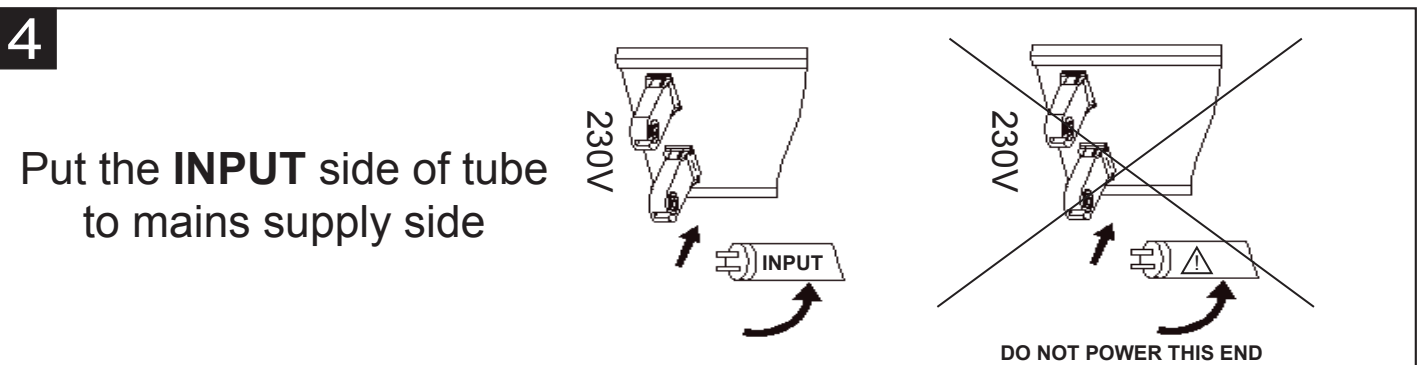
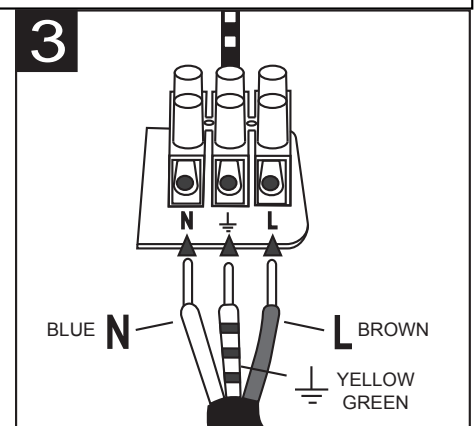
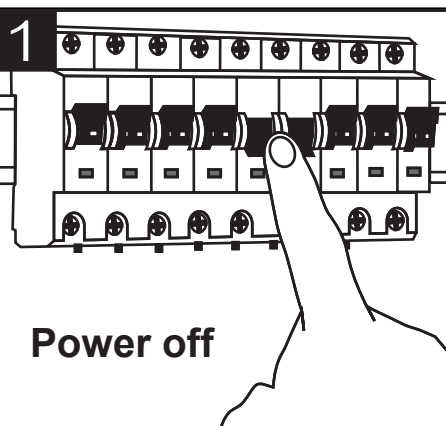
Safety Notice:

- The fitting must be installed by a qualified electrician or technician.
- Disconnect the lamp from mains supply, and let the lamp cool down before replacement.
- Never touch the fitting when the lamp is turned on.
- In case of lamp failure, disconnect the lamp from mains supply and contact your electrician.
- Repair work must only be done by a qualified electrician.
- The lamp is suitable for connecting through.

Specifications:

Model	Watt	L (mm)	W (mm)	H (mm)	WT (kg)	Clips (pcs)	Clip Material	IP RATE
382329	1x 18W	1270	65	70	1.2	14	Stainless Steel	IP65
382336	2x 18W	1270	102	70	1.8	14	Stainless Steel	IP65
382343	1x 22W	1570	65	70	1.4	18	Stainless Steel	IP65
382350	2x 22W	1570	102	70	2.1	18	Stainless Steel	IP65

Installation:

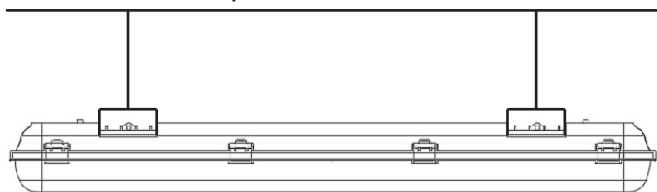


HOFTRONIC™

INSTALLATION INSTRUCTION LED T8 WATERPROOF FIXTURE

Installation method 1:

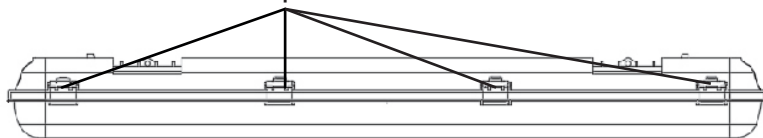
Suspension method



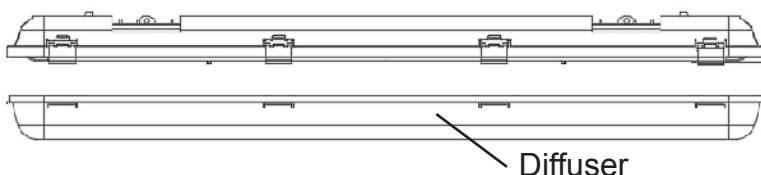
Install and replacement of tube:

Step 1: Disconnect the lamp from mains supply and open the clip by hand after cooling down.

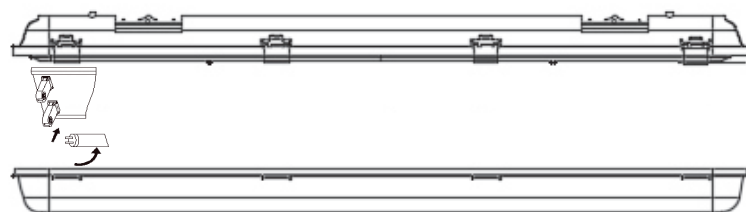
Clips



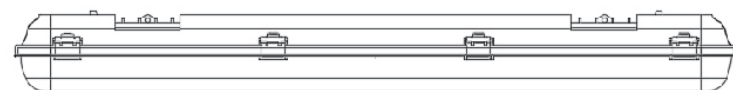
Step 2: Remove the diffuser.



Step 3: Install and replace the LED tube.

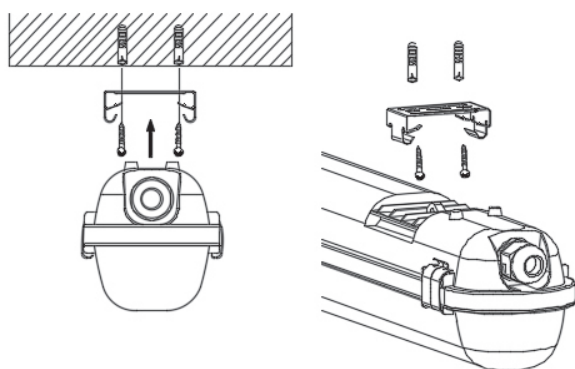


Step 4: Put the diffuser back and lock the clips.

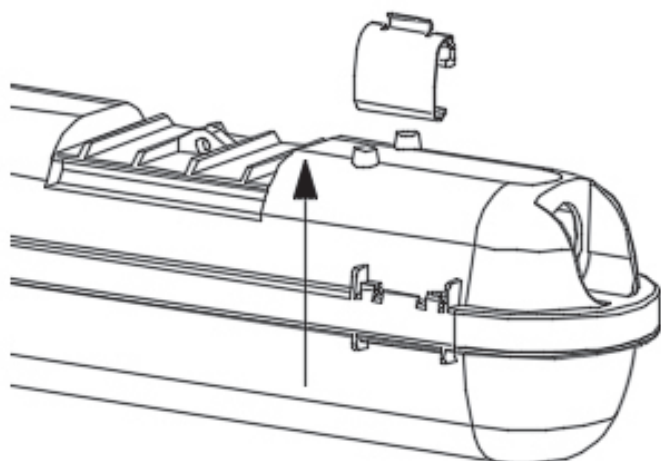


Installation method 2:

Flat mounting method

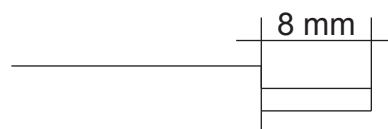


Unlocking clips:



Wiring

The bare conductor must have a length of 8 mm.



Terminal wiring

Connect the mains supply with ther terminal:

L = Brown

N = Blue

⊕ = Green / Yellow



Environmental Protection

Waste electrical production should not be disposed with household waste. Please recycle where facilities exist. Check with your local authority or retailer for recycling advice.