

TWN4 SLIM

FLAT AND COMPACT RFID READER/WRITER SUPPORTING LF, HF, NFC AND BLE



TWN4 Slim – front view



TWN4 Slim – rear view

The new TWN4 Slim is Elatec's smallest compact and flat RFID reader – it's smaller than an ID-1 card. TWN4 Slim supports a huge range of LF and HF technologies (125 kHz and 13.56 MHz). With the support of NFC and Bluetooth Low Energy the reader supports mobile use cases for data communication and authentication. It can be operated as a standalone unit connected using a standard cable with a micro USB plug to PCs and other devices with USB interface.

TWN4 Slim is perfectly suited to embed it into machines and devices, and especially MFP printers with optional clip-on snap-in cover.

Special features:

- + Standalone operation and flush-mount integration into printers and other industrial applications
- + Mounting holes for easy and fast installation
- + Integrated LF and HF antennas
- + One socket for Secure Access Modules (SAM) cards, ID-000 form factor
- + Flexible cable with micro USB connector
- + Supported USB stacks: keyboard emulation, virtual comport and CCID/PCSC
- + Integrated BLE module 2.4 GHz for data communication and authentication, BLE v4.2, upgradable
- + Supports quick (re)configuration over network and over wireless interface with TWN4 CONFIG Card
- + Direct chip-commands support
- + Powerful SDK for writing apps which are executed directly on the reader
- + On-board 18 kB flash storage, e.g. for storing user accessible non-volatile data
- + TWN4 Upgrade Card for P and PI options available on request
- + Customizable design inlay
- + 3D construction data (STEP) available on request



Elevator



EV Chargers



Access



Shop POS



Fitness Equipment



Ticket POS



PC Log-on



Document Management



Driver ID



Vending



Parking



Gaming



Locker Locks



Time Attendance



Industrial PC

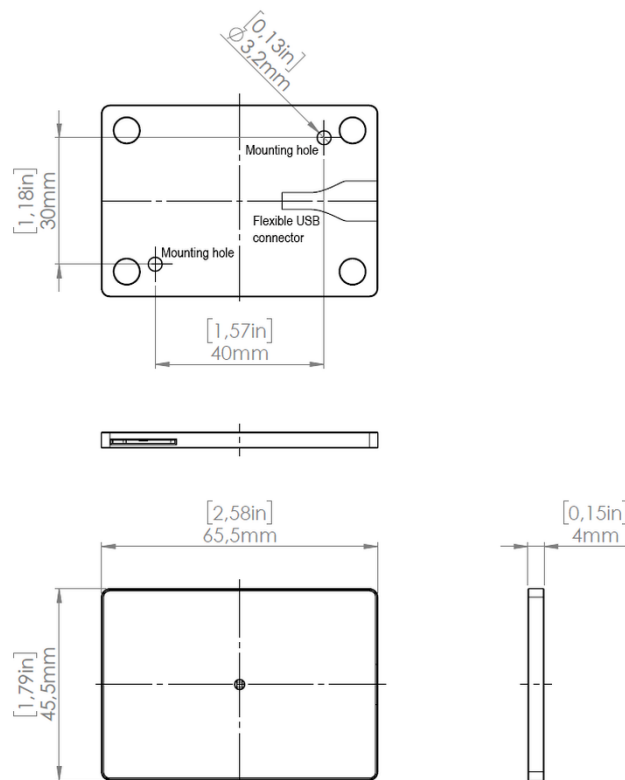
TECHNICAL DATA

FREQUENCY	125 kHz (LF) / 13.56 MHz (HF) / 2.4 GHz (BLE)
ANTENNA	Integrated
HOUSING	ABS+PC blend, UL94-V0, color: black (core unit, clip adapter). Two 3.2 mm (0.13 inch) mounting holes for OEM integration (requires special inlay)
DIMENSIONS (L X W X H)	65.5 mm x 45.5 mm x 4.0 mm / 2.6 inch x 1.8 inch x 0.16 inch
POWER SUPPLY	4.3 V - 5.5 V via micro USB Limited power source according to IEC60950-1 or PS2 classified IEC 62368-1, short-circuit current < 8 A
CURRENT CONSUMPTION	Idle: 70 mA, RF field on: 135 mA typically (preliminary)
TEMPERATURE RANGE	Operating: -20 °C up to +60 °C (-4 °F up to +140 °F) Storage: -30 °C up to +70 °C (-22 °F up to +158 °F)
RELATIVE HUMIDITY	5% to 95% non-condensing
READ- / WRITE DISTANCE	LF and HF: Up to 80 mm / 3.15 inch, depending on environment and transponder
OPERATING MODES (USB)	USB keyboard emulation – USB virtual COM port – CCID / PC/SC 2.01
BLUETOOTH LOW ENERGY	Bluetooth v4.2, software upgradable; standards as GAP, SM, L2CAP, ATT; predefined GATT structure; AES128 supported
MTBF	500,000 hours
WEIGHT	Approx. 18 g / 0.64 oz (without cable and holder)
SUPPORTED TRANSPONDERS (STANDARD) 13.56 MHZ	<u>ISO14443A:</u> LEGIC Advant ¹⁾ , MIFARE Classic EV1 ²⁾ , MIFARE Classic, MIFARE Mini, MIFARE DESFire EV1, MIFARE DESFire EV2 ³⁾ , MIFARE DESFire Light ³⁾ , MIFARE Plus S, X, MIFARE Pro X ⁴⁾ , MIFARE Smart MX ⁴⁾ , MIFARE Ultralight, MIFARE Ultralight C, MIFARE Ultralight EV1 ²⁾ , NTAG2xx, PayPass ⁴⁾ , SLE44R35 ⁴⁾ , SLE66Rxx (my-d move) ⁴⁾ , Topaz <u>ISO14443B:</u> Calypso ⁴⁾ , Calypso Innovatron protocol ⁴⁾ , CEPAS ⁴⁾ , HID iCLASS ¹⁾ , Moneo ⁴⁾ , Pico Pass ⁵⁾ , SRI4K, SRIX4K, SRI512, SRT512 <u>ISO18092 ECMA-340:</u> NFC Forum Tag 1-5, NFC Peer-to-Peer, Sony FeliCa ⁶⁾ , NFC Active and passive communication mode <u>ISO15693:</u> EM4x33 ⁴⁾ , EM4x35 ⁴⁾ , HID iCLASS ¹⁾ , HID iCLASS SE/SR ¹⁾ , ICODE SLI, LEGIC Advant ¹⁾ , M24LR16/64, MB89R118/119, SRF55Vxx (my-d vicinity) ⁴⁾ , Tag-it, PicoPass ⁵⁾
SUPPORTED TRANSPONDERS (STANDARD) 125 KHZ ⁷⁾	AWID, Cardax, CASI-RUSCO, Deister ⁸⁾ , EM4100, 4102, 4200 ⁹⁾ , EM4050, 4150, 4450, 4550, EM4305 ¹⁰⁾ , FDX-B ¹⁰⁾ , EM4105 ¹⁰⁾ , HITAG 1 ¹¹⁾ , HITAG 2 ¹¹⁾ , HITAG S ¹¹⁾ , ICT ¹⁰⁾ , IDTECK, Isonas, Keri, Miro, Nedap ⁸⁾ , PAC ¹⁰⁾ , Pyramid, Q5, T5557, T5567, T5577, TIRIS/HDX ¹⁰⁾ , TITAN (EM4050), UNIQUE, ZODIAC
SUPPORTED TRANSPONDERS (OPTION PI)	Requires TWN4 SIO Card, All Standard Transponders, All Option P Transponders, HID iCLASS, HID iCLASS SE/SR/Elite, HID iCLASS SEOS (Facility Code/PAC) ¹²⁾
SUPPORTED TRANSPONDERS (OPTION P)	All Standard Transponders, Cotag, G-Prox ⁸⁾ , HID DuoProx II, HID ISO Prox II, HID Micro Prox, HID ProxKey III, HID Prox, HID Prox II, Indala, ioProx, Nexwatch
OS SUPPORT	Windows XP, Vista, Embedded CE ¹⁰⁾ , 7 (32-/64-bit), 8, 8.1, 10, Linux, Android ¹⁰⁾ , iOS ¹⁰⁾ , MAC OS X ¹⁰⁾
PERIPHERAL INTERFACES	Female micro USB, flexible cable, use only with CAB-BS1 – CAB-BS7 shielded cables
TRANSMISSION SPEED	Host: USB Full speed (12 Mbit/s), HF Air: up to 848 kbit/s, BT Air: up to 100 kbit/s
CERTIFICATION NAME	TWN4 Slim
CERTIFICATION(S)	ACMA, CE/RED, FCC, IC, REACH and RoHS-III compliant
ORDER CODES	Standalone reader without cable T4QC-FC3B7 TWN4 Slim T4QC-FC3B7-P TWN4 Slim, Option P T4QC-FC3B7-PI TWN4 Slim, Option PI

¹⁾UID only ²⁾r/w enhanced security features on request ³⁾In preparation ⁴⁾r/w in direct chip command mode ⁵⁾UID only, read/write on request ⁶⁾UID + r/w public area ⁷⁾125 kHz technology requires a Russian local test and import license from the ministry of Trade and Industry (MINPROMTORC). This license has to be in place before Elatec can accept any order to be shipped to Russia ⁸⁾Hash value only ⁹⁾Only emulation of 4100, 4102 ¹⁰⁾On request ¹¹⁾Without encryption ¹²⁾UID + PAC (Facility Code), r/w on request

ACCESSORIES	HFQC-B: MECH-QHC1B: MECH-QHC2B: MECH-QRBF1: MECH-CCK3:	TWN4 Slim Mounting Frame black TWN4 Slim HIP1 Cover TWN4 Slim HIP2 Cover TWN4 Slim Rubber Feet 4pcs/set Cable Clip Kit adhesive black (3pcs)
CABLES	CAB-BS1: CAB-BS2: CAB-BS3: CAB-BS4: CAB-BS5: CAB-BS6: CAB-BS7:	Cable, Slim CC, Micro USB/Mini USB male bent, 10cm / 3.93 inch Cable, Slim CC, Micro USB/Mini USB female, 10cm / 3.93 inch Cable, Slim CC, Micro USB/USB A male, 12cm / 4.72 inch Cable, Slim CC, Micro USB/USB A male, 45cm / 17.7 inch Cable, Slim CC, Micro USB/USB A male, 120cm / 47.2 inch Cable, Slim CC, Micro USB/USB A male, 200cm / 72.74 inch Cable, Slim CC, Micro USB/Mini USB male, 60cm / 23.62 inch
KITS	Individual kits available on request. Kits are a compilation of the TWN4 Slim reader, accessories and packaging configuration (Boxed or bulk packaging). After the configuration of the Slim Kit, customers receive their own article number.	

DRAWING



ELATEC GmbH

Zeppelinstr. 1
82178 Puchheim • Germany
P +49 89 552 9961 0 • F +49 89 552 9961 129
E-Mail: info-rfid@elatec.com
Website: elatec.com

ELATEC Inc.

4203 SW High Meadows Ave
Palm City • FL 34990 • USA
P +1 772 210 2263 • F +1 772 382 3749
E-Mail: americas-info@elatec.com
Website: elatec.com

ELATEC Technology (Shenzhen) LLC

No. 716 Industrial Bank Tower
Futian District • Shenzhen • China
P/F +86 755 2394 6014
E-Mail: apac-info@elatec.com
Website: elatec.com

ELATEC reserves the right to change any information or data in this document without prior notice. ELATEC declines all responsibility for the use of this product with any other specification but the one mentioned above. Any additional requirement for a specific customer application has to be validated by the customer himself at his own responsibility. Where application information is given, it is only advisory and does not form part of the specification. Disclaimer: All names used in this document are registered trademarks of their respective owners.