



CONTACTLESS READERS

ACR1252U

USB NFC Contactless Reader III
(NFC Forum Certified)

The ACR1252U USB NFC Reader III is an NFC Forum-certified PC-linked reader, developed based on 13.56MHz contactless technology. It has a SAM (Secure Access Module) slot which can be used together with a SAM card for key diversification and mutual authentication, providing high-level security in contactless transactions. Post-deployment firmware upgrade is also supported, eliminating the need for additional hardware modification.

ACR1252U is capable of the three modes of NFC, namely: card reader/writer, card emulation and peer-to-peer communication.

Compliant with both CCID and PC/SC, this plug-and-play USB NFC device allows interoperability with different devices and applications.

The ACR1252U comes with an optional stand to hold the smart card reader at an optimal angle, so that users can tap contactless cards or NFC-enabled devices onto the ACR1252U with ease.

KEY FEATURES

- ✓ **Support various type of card type**
 - ISO/IEC 18092 NFC
 - ISO 14443 Type A & B (T=CL)
 - MIFARE®
 - FeliCa
- ✓ **Security**
 - 1 x ISO 7816 Standard SAM slot for improved security
- ✓ **Flexible**
 - Read/write speed, LED & Buzzer can be programmable
- ✓ **Support USB Firmware Upgrade**
- ✓ **Reliable**
 - Certified for international regulations
 - Mean time between failures (MTBF) up to 500k Hours
- ✓ **Compatibility**
 - Support for all major operating systems



Common Applications

e-Government
e-Banking and e-Payment
e-Healthcare
Transportation
Network Security
Access Control
Loyalty Program
Smart Poster/URL Marketing
P2P Communication



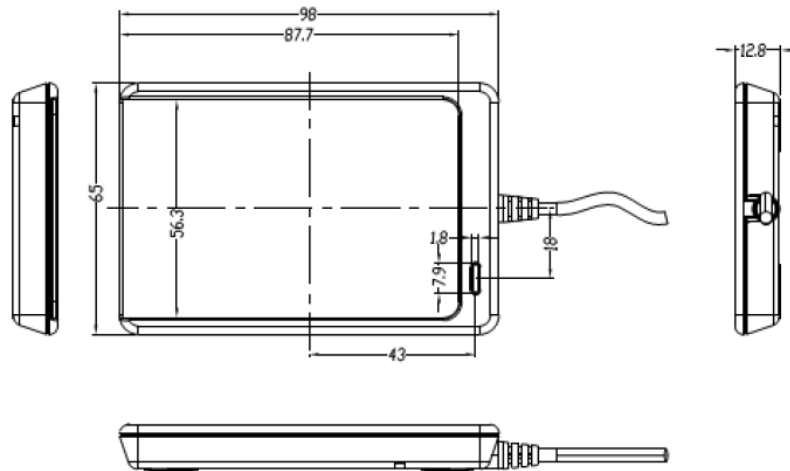


TECHNICAL SPECIFICATION

Contactless Smart Card Interface	
Supported Card Types	ISO/IEC 18092 NFC, ISO 14443 Type A & B, MIFARE®, FeliCa
Operating Frequency	13.56 MHz
Reading Distance	Up to 50 mm (Depending on tag type)
Read/White Speed	106/212/424 kbps (Programmable)
Anti-Collision	Yes
Supported NFC Mode	NFC Reader/Writer, Peer-to-Peer, Card Emulation
SAM Card Interface	
Standard	1 x ISO 7816 Class A (5V) Standard SIM size slot
Protocol	T=0, T=1
Read/Write Speed	9.6 – 215 kbps
Host Interface	
Protocol	USB CCID
Connector Type	USB Type-A, USB Type-C
Speed	USB 2.0 Full Speed (12Mbps)
Supply Voltage	5VDC
Current Consumption	Max. 200mA
USB Firmware Upgrade	Supported
Physical Characteristics	
Dimension (L x W x H)	Main Body: 98 x 65 x 12.8 mm Antenna size: 50 x 40 mm
Weight	81 g
Available Colour	Matte Black
USB Cable Length	1 m (Non-detachable)

Peripherals	
Buzzer	1 x Programmable Buzzer (Mono-tone)
LED	1 x Programmable LED (Red & Green)
Operating Condition	
Temperature	0 - 60°C
Humidity	90% (Non-condensing)
MTBF	500,000 Hours
Certifications & Compliances	
Certifications	NFC Forum Certification Mark, IEC/EN 62368, CE, UKCA, FCC, J-LIS, VCCI, TELEC, KC, BIS, RoHS, REACH, WEEE, Microsoft® WHQL
Compliances	USB CCID, PC/SC
Libraries & Tools	
Libraries	CT-API
Tools	Android Evaluation Kit, Software Development Kit (USD 149)
Drivers & Support	
Driver Supported OS	Windows, Linux, Mac OS, Android
Warranty	1 Year
Model/Part Number	
USB Type-A	ACR1252U-M1
USB Type-C	ACR1252U-MF

MECHANICAL SPECIFICATION



About ACS

Advanced Card Systems Ltd. (ACS), founded in 1995, is Asia Pacific's top supplier and one of the world's top 3 suppliers of PC-linked smart card readers. ACS is the winner of the Product Quality Leadership Award for Smart Card Readers from Frost & Sullivan. In 2010, 2014 and 2015, ACS was listed in Forbes Asia's "Best Under a Billion" list, an inter-industry list comprised of 200 top-performing publicly listed companies in the Asia-Pacific, with sales between US\$5 million and US\$1 billion. ACS develops a wide range of high-quality smart card reading/writing devices, smart cards and related products and distributes them to over 100 countries worldwide.

Click [here](#) for Sales Enquiry

Tel: +852-2796-7873

Fax: +852-2796-1286

