



# OVERHEAD 4 FT X 8 FT GEARLOFT™ STORAGE RACK

Assembly Instructions

## ÉTAGÈRE DE RANGEMENT SURÉLEVÉE DE 1,22 M X 2,44 M GEARLOFT™

Instructions d'assemblage

## ESTANTERÍA DE ALMACENAMIENTO GEARLOFT™ EN ALTURA DE

### 1,22 M X 2,44 M

Instrucciones de ensamblaje

**Model/Modèle/Modelo:**

GALS48M4JG - Hammered Granite/Ardoise martelée/Granito forjado

GALS48M4JW - Hammered White/blanc martelé/Blanco forjado

## TABLE OF CONTENTS/TABLE DES MATIÈRES/ÍNDICE

**OVERHEAD GEARLOFT™ STORAGE RACK SAFETY** ..... 2

**DIMENSIONS (TYPICAL INSTALL)** .... 3

**PARTS**..... 4

**ASSEMBLY INSTRUCTIONS**..... 5

    Unpack the Overhead Gearloft™ Storage Rack ..... 5

    Tools and Parts ..... 5

    Overhead Gearloft™ Storage Rack Use Requirements ..... 5

    Assembling the Rack ..... 6

    Installing Overhead Gearloft™ Storage Rack ..... 9

    Optional Configuration..... 10

    Storage Rack Care..... 10

    Registering Your Product..... 10

**WARRANTY** ..... 11

**SÉCURITÉ DE L'ÉTAGÈRE DE RANGEMENT SURÉLEVÉE GEARLOFT™**..... 12

**DIMENSIONS (INSTALLATION NORMALE)** ..... 13

**PIÈCES** ..... 14

**INSTRUCTIONS D'ASSEMBLAGE**... 15

    Déballer l'étagère de rangement surélevée Gearloft™ ..... 15

    Outils et pièces ..... 15

    Exigences d'utilisation de l'étagère de rangement surélevée Gearloft™ .. 15

    Assemblage de l'étagère ..... 16

    Installer l'étagère de rangement surélevée Gearloft™ ..... 19

    Configuration optionnelle..... 20

    Entretien de l'étagère..... 20

    Enregistrement de votre produit ..... 20

**GARANTIE** ..... 21

**SEGURIDAD DE LA ESTANTERÍA DE ALMACENAMIENTO GEARLOFT™ EN ALTURA** ..... 22

**DIMENSIONES (INSTALACIÓN TÍPICA)** ..... 23

**PIEZAS**..... 24

**INSTRUCCIONES DE ENSAMBLAJE** ..... 25

    Desempaque la estantería de almacenamiento Gearloft™ en altura.. 25

    Herramientas y piezas ..... 25

    Requisitos de uso de la estantería de almacenamiento Gearloft™ en altura.. 25

    Ensamblaje de la estantería..... 26

    Instalación de la estantería de almacenamiento Gearloft™ en altura.. 29

    Configuración opcional..... 30

    Cuidado de la estantería de almacenamiento ..... 30

    Cómo registrar el producto..... 30

**GARANTÍA** ..... 31

# OVERHEAD GEARLOFT™ STORAGE RACK SAFETY

## Your safety and the safety of others are very important.

We have provided many important safety messages in this manual and on your appliance. Always read and obey all safety messages.



This is the safety alert symbol.

This symbol alerts you to potential hazards that can kill or hurt you and others.

All safety messages will follow the safety alert symbol and either the word “DANGER” or “WARNING.”

These words mean:

**! DANGER**

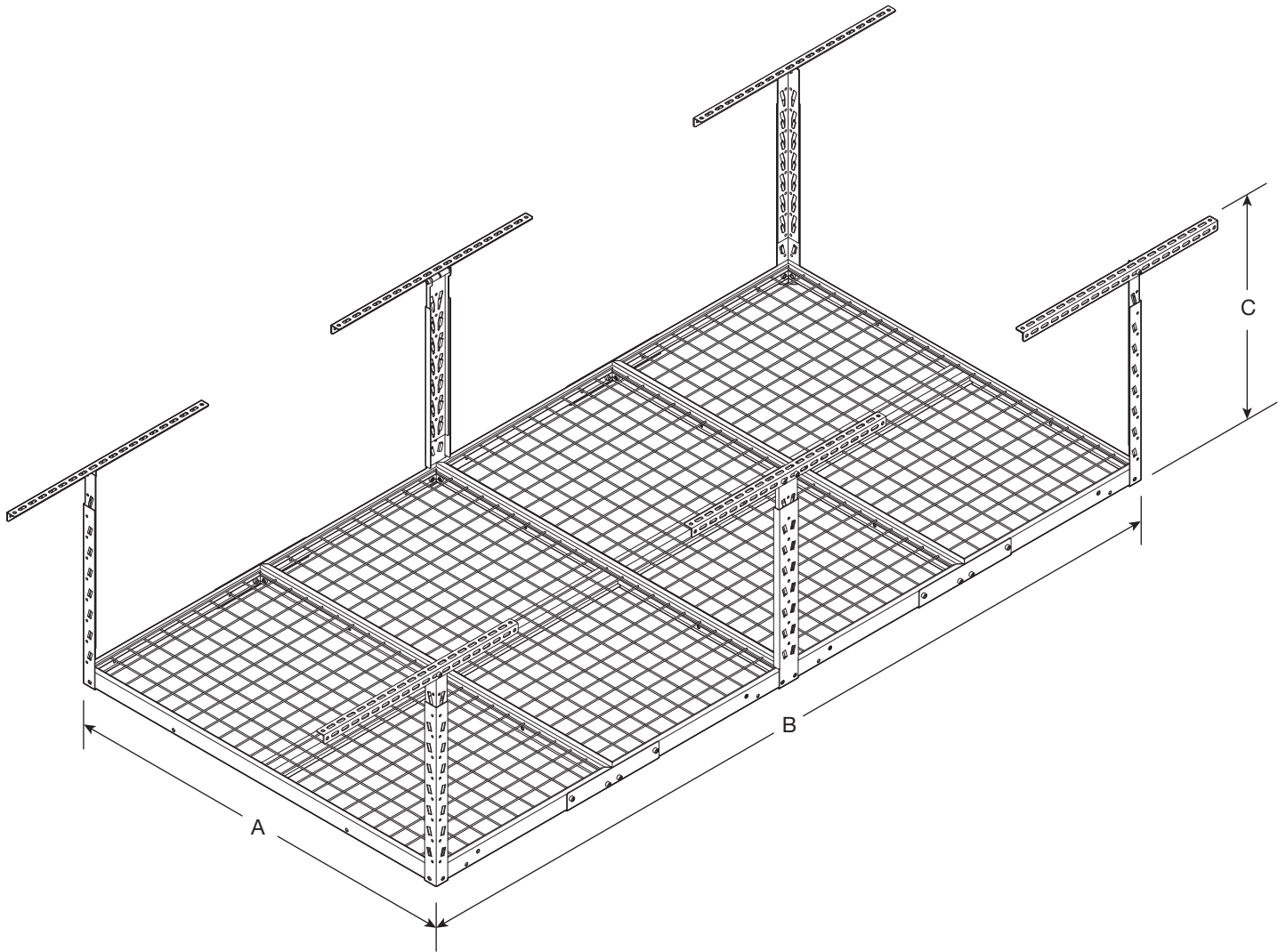
You can be killed or seriously injured if you don't immediately follow instructions.

**! WARNING**

You can be killed or seriously injured if you don't follow instructions.

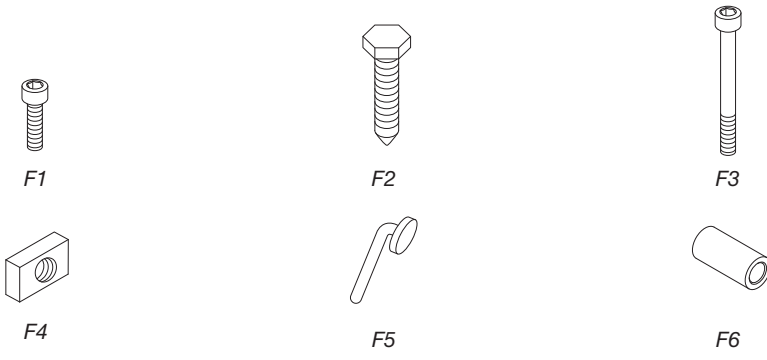
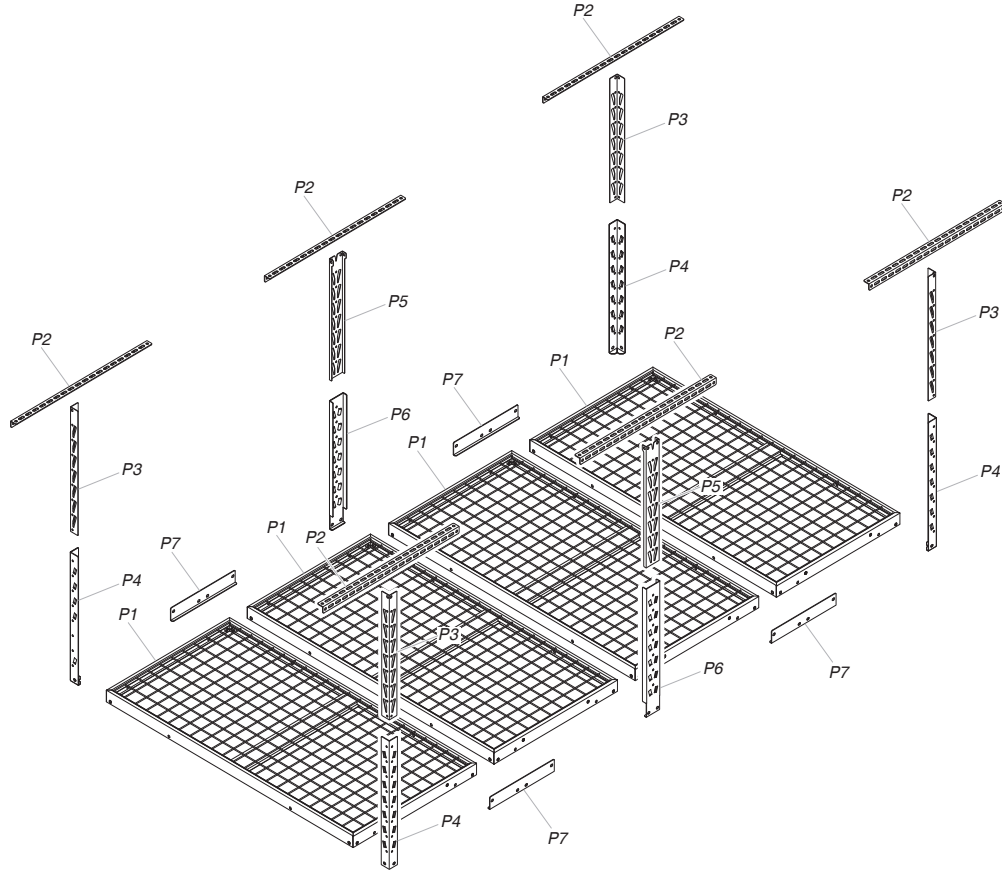
All safety messages will tell you what the potential hazard is, tell you how to reduce the chance of injury, and tell you what can happen if the instructions are not followed.

# DIMENSIONS (TYPICAL INSTALL)



MODEL	GALS48M4JG - Hammered Granite GALS48M4JW - Hammered White
A	48" (122 cm)
B	96" (244 cm)
C	23" (58.4 cm) min. and 37.8" (96 cm) max.

# PARTS



Label	Description	Quantity
P1	2' x 4' Rack section	4
P2	Ceiling bracket	6
P3	Vertical corner support - upper	4
P4	Vertical corner support - lower	4
P5	Vertical center support - upper	2
P6	Vertical center support - lower	2
P7	Rack connection bracket	4
F1	M8 - 1.25 x 15 Socket-head cap screw	42
F2	5/16" x 3" Lag bolt	12
F3	M8 - 1.25 x 75 Socket-head cap screw	2
F4	M8 - 1.25 Rectangular nut	14
F5	EZ Connect lock pin	6
F6	Spacer	4

---

# ASSEMBLY INSTRUCTIONS

---

## Unpack the Overhead Gearloft™ Storage Rack

1. Unpack the rack sections, support sections, ceiling brackets and all hardware. Verify contents. See "Parts".
2. Dispose of all packaging materials properly.

---

## Tools and Parts

- Install overhead Gear loft storage rack according to manufacturer's instructions and any local codes.
- Only use provided fasteners. Do not use an alternate form of mounting. Do not alter or modify any components included with this product.
- Gather the required tools and parts before starting assembly.
- Read entire manual before starting assembly.

### **WARNING**

#### **Excessive Weight Hazard**

**Use two or more people to move storage rack.  
Failure to do so can result in back or other injury.**

#### **Tools Needed**

- Electric drill
- Drill bit (3/16") - Included
- 1/2" Socket wrench and/or 1/2" open end wrench
- 6 mm Allen wrench - Included
- Stud Finder (If ceiling has drywall covering joists/rafters)
- Tape measure
- Step stool or step ladder
- Pencil / Marker
- Masking Tape

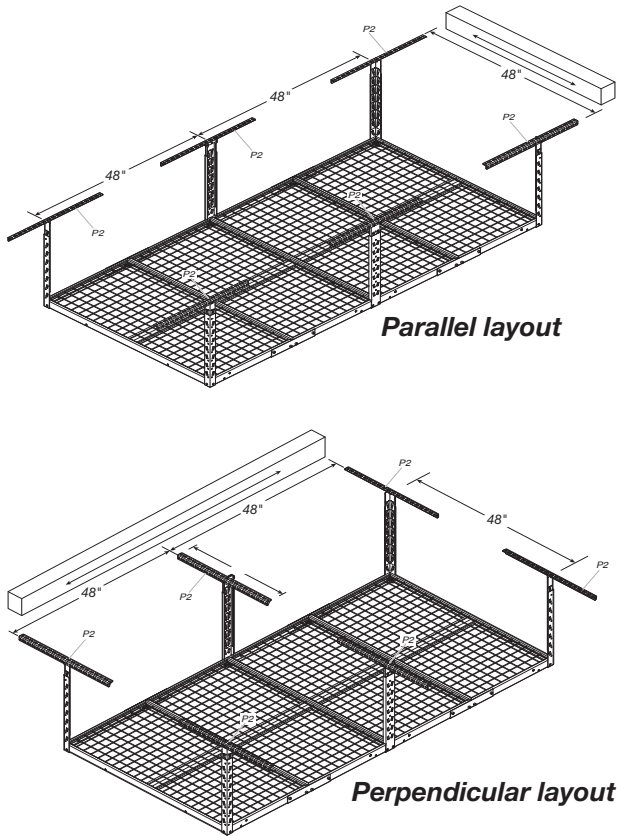
---

## Overhead Gearloft™ Storage Rack Use Requirements

1. Intended for garage use, installed into a wood framed/ traditional wood structure type dwelling.
2. To be used for storing light-weight items overhead and out of the way.
3. Recommended to be positioned 6'- 8" minimum above floor (standard door opening height)
4. Check for clearance of all doors, vehicles, or any items to be positioned under the storage rack.
5. The maximum weight of all items combined on the rack not to exceed 750 lbs.

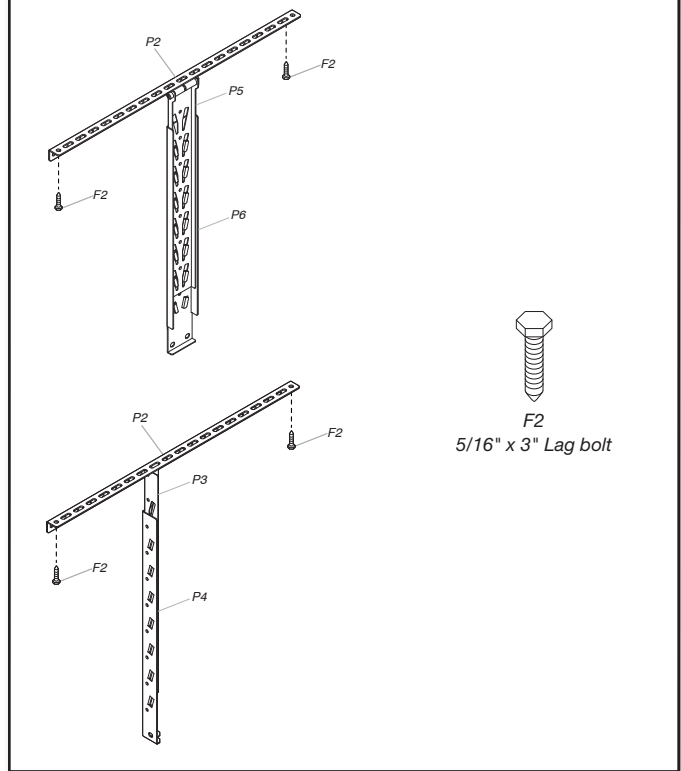
# Assembling the Rack

## 1. Determine the ceiling locations



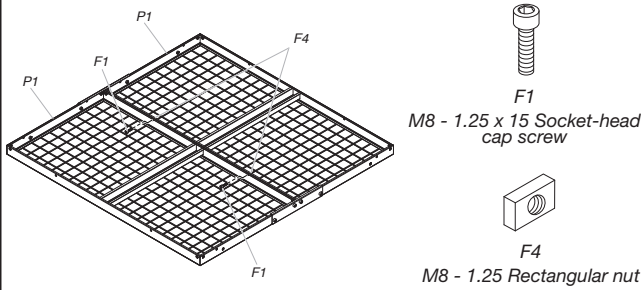
The garage overhead storage rack can be positioned parallel or perpendicular to the wood ceiling joists/rafters. Determine the application required for your desired installation. If drywall is on the ceiling, use a stud finder to determine the joist/rafter locations and mark with masking tape. For application requiring installation of the brackets perpendicular to the joists/rafters, the maximum distance between them is 24". The brackets included allow for a 24" maximum span. See figure for typical ceiling layouts. Mark the location of the ceiling brackets on the joists/rafters or drywall, making sure the vertical supports can be positioned between the lag bolts used to attach the brackets. Position the center of the brackets on a 48" grid as shown in figure.

## 2. Attach the ceiling brackets



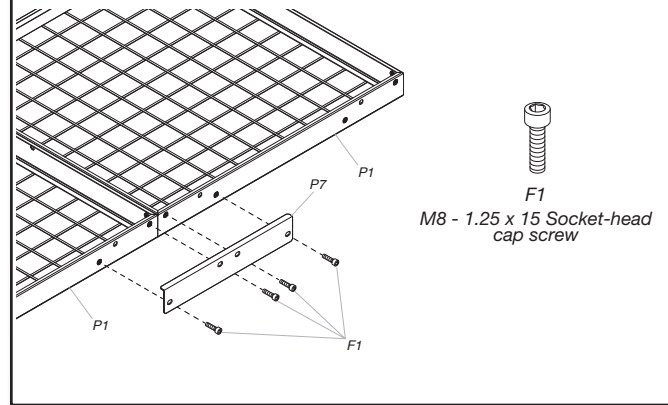
Using the provided drill bit (3/16"), drill all pilot holes in the center of the joists/rafter. Two lag bolts must be used on each bracket - one on each side of the vertical support. Mount the 6 ceiling brackets (P2) using 5/16" x 3" Lag bolts (F2) (12).

### 3. Connect the racks



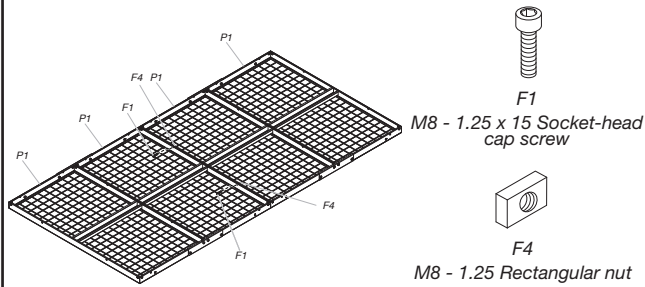
Lay two rack sections upside down on the floor. Assemble the rack sections (P1) together using M8 - 1.25 x 15 Socket-head cap screws (F1) (2) and M8 - 1.25 Rectangular nuts (F4) (2). Repeat this with the other remaining two rack sections.

### 4. Attach the racks brackets



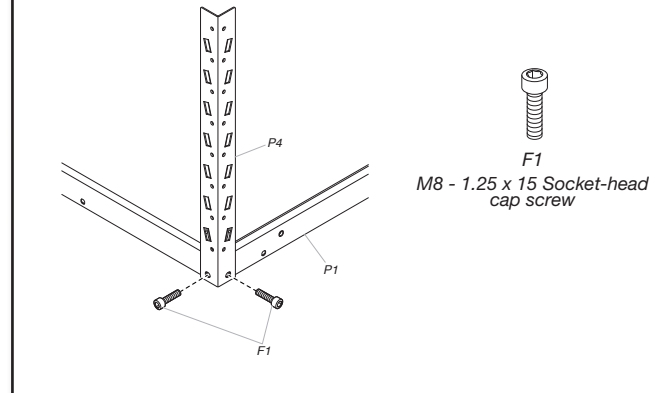
Attach the rack connection brackets (P7) to both sides of the two bolted together rack sections using M8 - 1.25 x 15 Socket-head cap screws (F1) (8). Repeat this on the other two bolted together rack sections.

### 5. Attach double rack sections



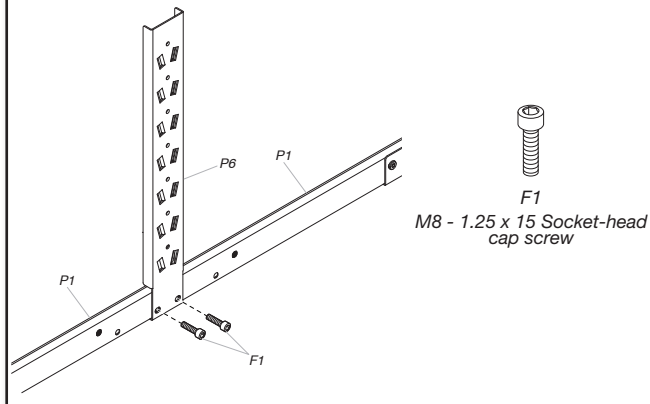
Attach the two double rack sections together using M8 - 1.25 x 15 Socket-head cap screws (F1) (2) and M8 - 1.25 Rectangular nuts (F4) (2).

### 6. Attach lower corner supports



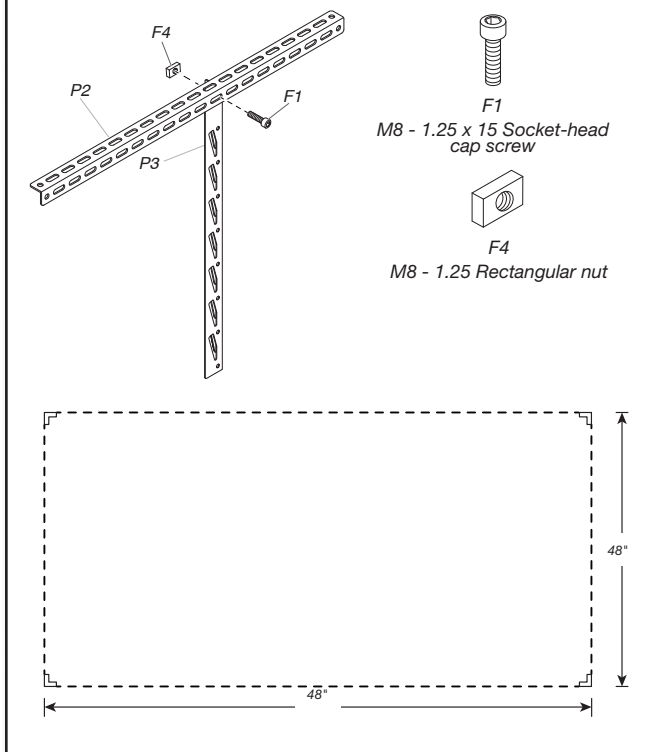
Attach the four lower corner supports (P4) to the rack corners using M8 - 1.25 x 15 Socket-head cap screws (F1) (8).

### 7. Attach lower center supports



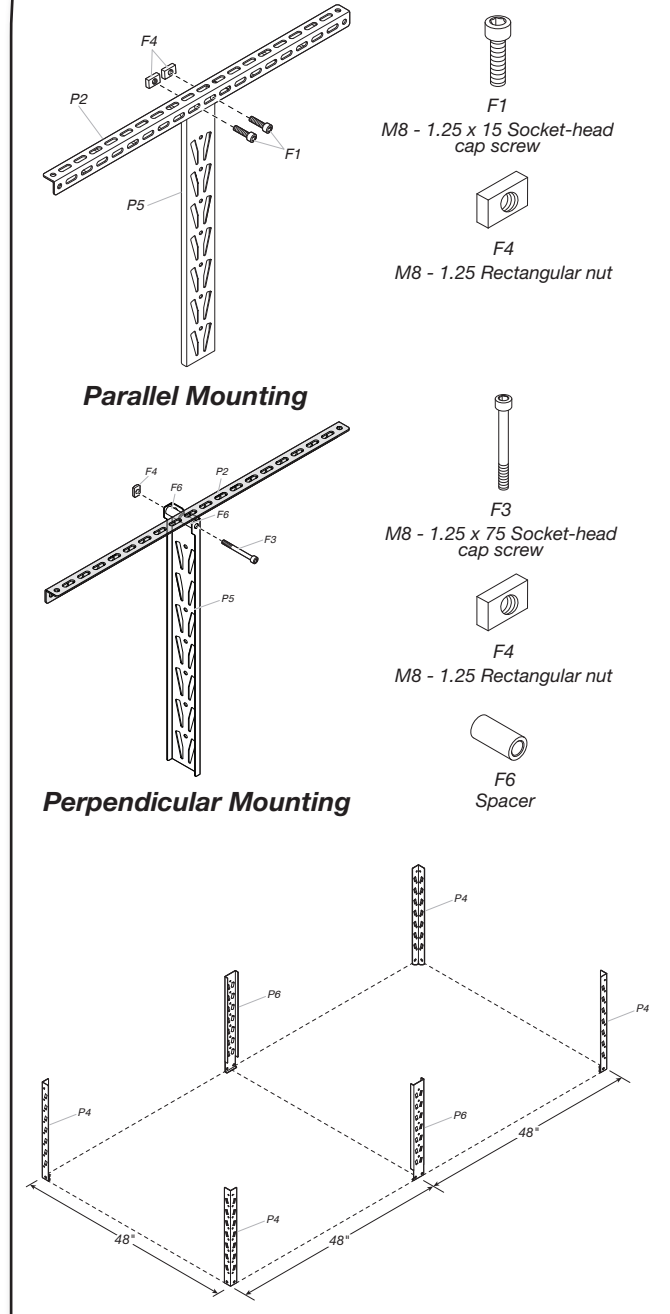
Attach the two lower center supports (P6) to the rack assembly using M8 - 1.25 x 15 Socket-head cap screws (F1) (4).

## 8. Attach upper corner supports



Attach the upper corner support (P3) to the ceiling brackets using M8 - 1.25 x 15 (F1) (4) and M8 - 1.25 Rectangular nuts (F4) (4). Make sure they are positioned 48" end to end on one side and 96" end to end on the other side. See figure.

## 9. Attach upper center supports



Attach the upper center supports (P5) to the ceiling brackets using one of the details in the figure depending on ceiling bracket mounting.

### Parallel Mounting

Attach supports using M8 - 1.25 x 15 Socket-head cap screws (F1) (2) and M8 - 1.25 Rectangular nuts (F4) (2) on each upper center support.

### Perpendicular Mounting

Attach supports using M8 - 1.25 x 75 Socket-head cap screws (F3), M8 - 1.25 Rectangular nuts (F4) and spacer (F6) (2) on each upper center support. Verify that all of the upper supports are properly spaced. They should be on a 48" pattern as shown in the figure.



# Installing Overhead Gearloft™ Storage Rack

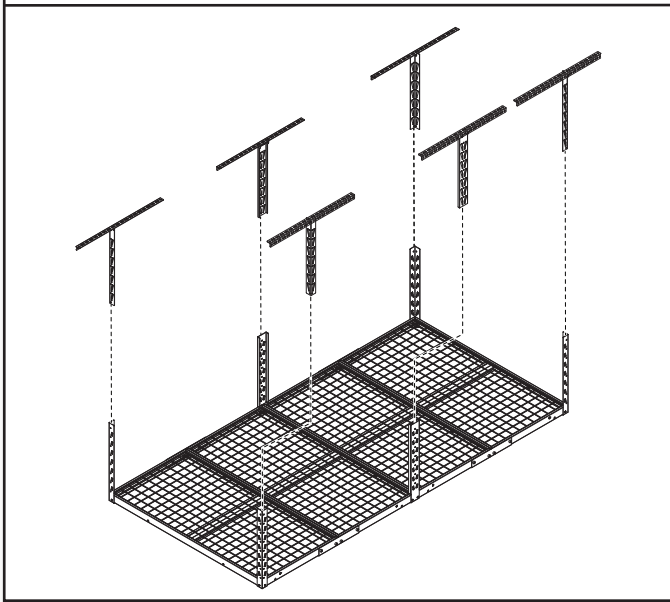
## **⚠ WARNING**

### **Excessive Weight Hazard**

**Use two or more people to move storage rack.**

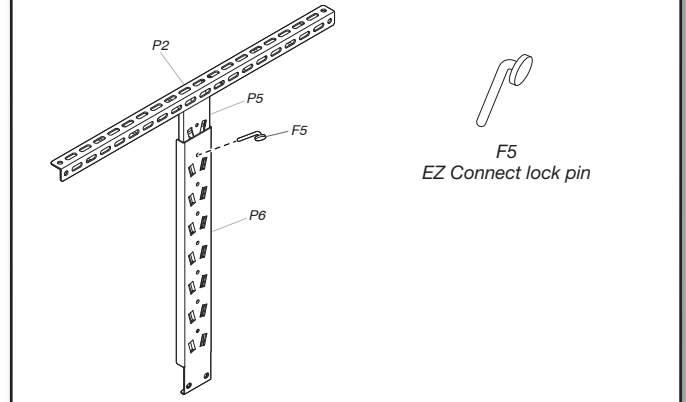
**Failure to do so can result in back or other injury.**

## **1. Attach the EZ connect supports**



Using two or more people, the rack system can be easily lifted and positioned overhead. The EZ connect feature allows for positioning 23" to 37" from the ceiling. Lift the rack into place and connect all 6 lower supports to the upper supports. Make sure the rack supports are all in the same position and the rack is level.

## **2. Complete the assembly**



Make sure all bolts and screws are tight. Once the rack is in the desired location below the ceiling, place an EZ connect lock pin (F5) (6) in a hole on each of the corner and center supports to lock/retain them together. The pins go through both upper and lower supports.

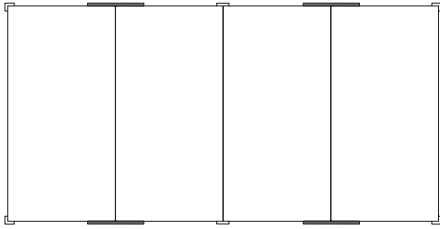
**NOTE :** The rack system can be repositioned up or down by removing all lock pins and relocating the EZ connect position on the supports. Use two or more people to relocate the rack and replace the EZ connect lock pins (F5) (6).

---

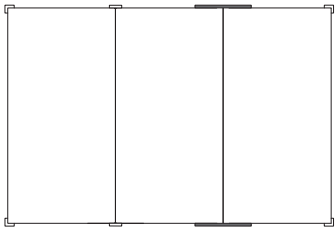
## Optional Configuration

1. The Gladiator Overhead Gearloft™ Storage Rack can be installed in one of several configurations.
2. When using an optional configuration, never span the vertical supports more than 48" (two rack section widths).

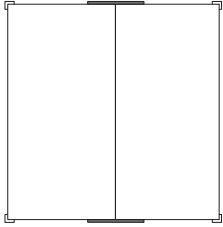
**Possible configuration with this kit :**



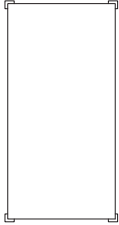
4' x 8' (Typical)



4' x 6'



4' x 4'



2' x 4'



Center support



Corner support



Connecting Bracket

---

## Storage Rack Care

- Wash storage rack with a mild liquid detergent and warm water using a soft, clean cloth.
- Check fastener tightness annually.

---

## Registering Your Product

There are many benefits of registering your product. Find out more and register your product online at [www.gladiatorgarageworks.com](http://www.gladiatorgarageworks.com). In the USA, call **1-866-342-4089**. Consumers in Canada can call **1-800-807-6777**.