



OVERHEAD GEARLOFT™ STORAGE RACK

Assembly Instructions

Model/Modèle/Modelo:

- GALS24M1KG - Hammered Granite 2 FT x 4 FT/
Ardoise martelée 2 pi x 4 pi/Granito forjado de 2 pies x 4 pies
- GALS24M1KW - Hammered White 2 FT x 4 FT/
Blanc martelé 2 pi x 4 pi/Blanco forjado 2 pies x 4 pies
- GALS28M2KG - Hammered Granite 2 FT x 8 FT/
Ardoise martelée 2 pi x 8 pi/Granito forjado de 2 pies x 8 pies
- GALS28M2KW - Hammered White 2 FT x 8 FT/
Blanc martelé 2 pi x 8 pi/Blanco forjado 2 pies x 8 pies
- GALS44M2KG - Hammered Granite 4 FT x 4 FT/
Ardoise martelée 4 pi x 4 pi/Granito forjado de 4 pies x 4 pies
- GALS44M2KW - Hammered White 4 FT x 4 FT/
Blanc martelé 4 pi x 4 pi/Blanco forjado 4 pies x 4 pies

ÉTAGÈRE DE RANGEMENT SURÉLEVÉE GEARLOFT™

Instructions d'assemblage

ESTANTERÍA DE ALMACENAMIENTO GEARLOFT™ EN ALTURA

Instrucciones de ensamblaje

TABLE OF CONTENTS/TABLE DES MATIÈRES/ÍNDICE

OVERHEAD GEARLOFT™ STORAGE RACK SAFETY	SÉCURITÉ DE L'ÉTAGÈRE DE RANGEMENT SURÉLEVÉE GEARLOFT™	SEGURIDAD DE LA ESTANTERÍA DE ALMACENAMIENTO GEARLOFT™ EN ALTURA
2	13	24
DIMENSIONS	DIMENSIONS	DIMENSIONES
3	14	25
PARTS	PIÈCES	PIEZAS
4	15	26
ASSEMBLY INSTRUCTIONS	INSTRUCTIONS D'ASSEMBLAGE ...	INSTRUCCIONES DE ENSAMBLAJE ..
7	18	29
Unpack the Overhead GearLoft™ Storage Rack.....	Déballer l'étagère de rangement surélevée GearLoft™.....	Desempaquetage de la estantería de almacenamiento GearLoft™ en altura.....
7	18	29
Tools and Parts.....	Outils et pièces.....	Herramientas y piezas.....
7	18	29
Overhead GearLoft™ Storage Rack Use Requirements.....	Exigences d'utilisation de l'étagère de rangement surélevée GearLoft™..	Requisitos de uso de la estantería de almacenamiento GearLoft™ en altura.....
7	18	29
Assembling the Rack.....	Assemblage de l'étagère.....	Ensamblaje de la estantería.....
8	19	30
Installing the Overhead GearLoft™ Storage Rack.....	Installer l'étagère de rangement surélevée GearLoft™.....	Instalación de la estantería de almacenamiento GearLoft™ en altura.....
11	22	33
Storage Rack Care.....	Entretien de l'étagère.....	Cuidado de la estantería de almacenamiento.....
11	22	33
Registering Your Product.....	Enregistrement de votre produit.....	Cómo registrar el producto.....
11	22	33
WARRANTY	GARANTIE	GARANTÍA
12	23	34

OVERHEAD GEARLOFT™ STORAGE RACK SAFETY

Your safety and the safety of others are very important.

We have provided many important safety messages in this manual and on your appliance. Always read and obey all safety messages.



This is the safety alert symbol.

This symbol alerts you to potential hazards that can kill or hurt you and others.

All safety messages will follow the safety alert symbol and either the word "DANGER" or "WARNING."

These words mean:

 **DANGER**

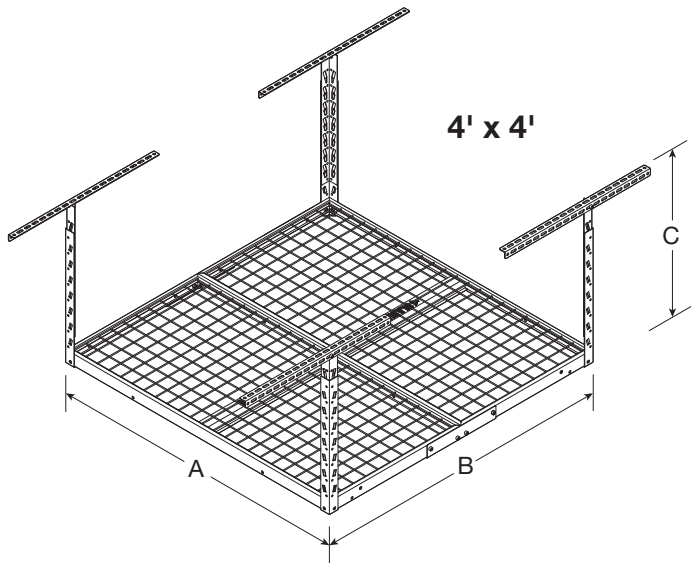
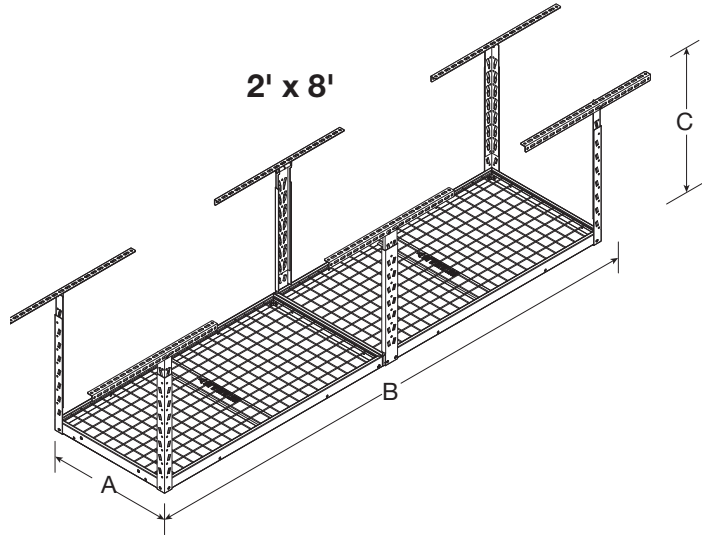
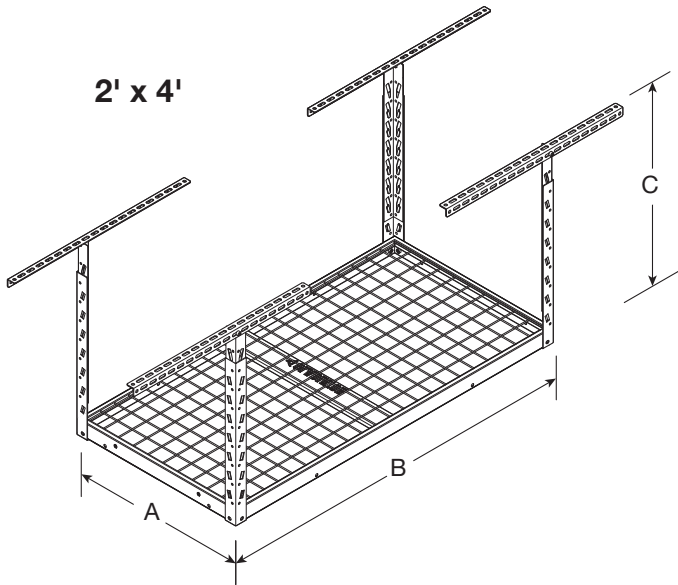
You can be killed or seriously injured if you don't immediately follow instructions.

 **WARNING**

You can be killed or seriously injured if you don't follow instructions.

All safety messages will tell you what the potential hazard is, tell you how to reduce the chance of injury, and tell you what can happen if the instructions are not followed.

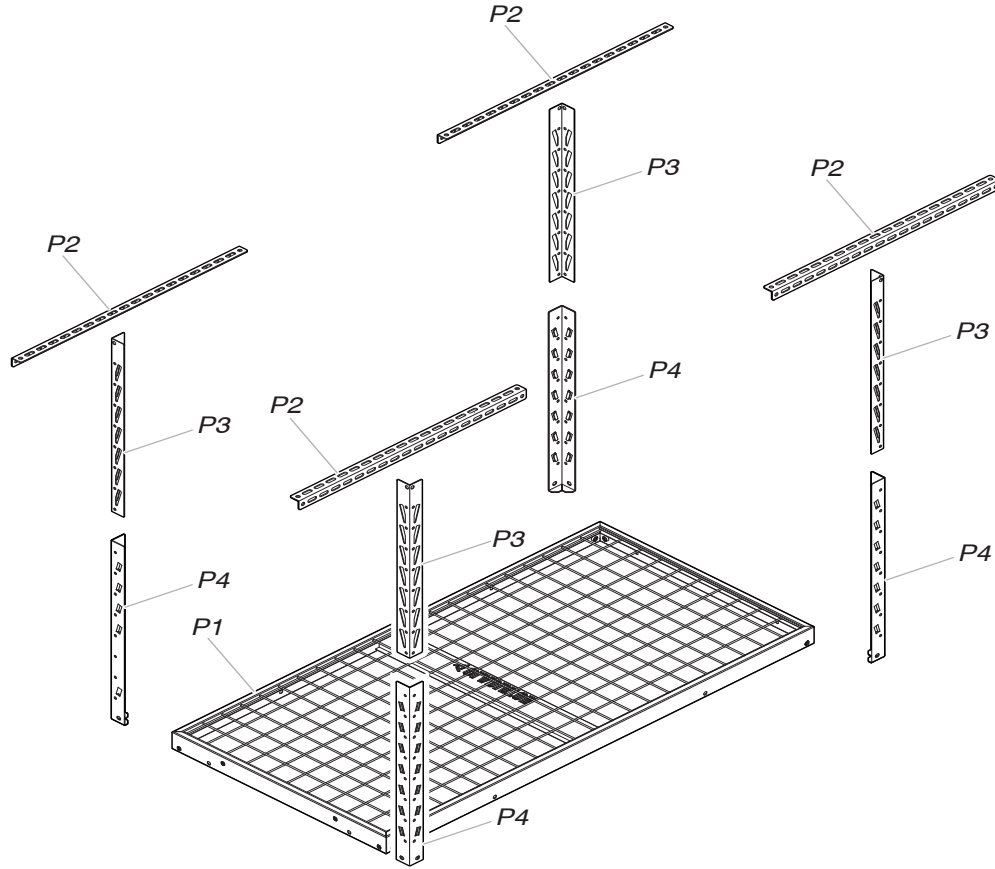
DIMENSIONS



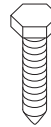
MODEL	GALS24M1KG GALS24M1KW	GALS28M2KG GALS28M2KW	GALS44M2KG GALS44M2KW
A	24" (61 cm)	24" (61 cm)	48" (122 cm)
B	48" (122 cm)	96" (244 cm)	48" (122 cm)
C	23" (58.4 cm) min. and 37.8" (96 cm) max.	23" (58.4 cm) min. and 37.8" (96 cm) max.	23" (58.4 cm) min. and 37.8" (96 cm) max.

PARTS - 2 FT x 4 FT

GALS24M1KG
GALS24M1KW



F1



F2



F4

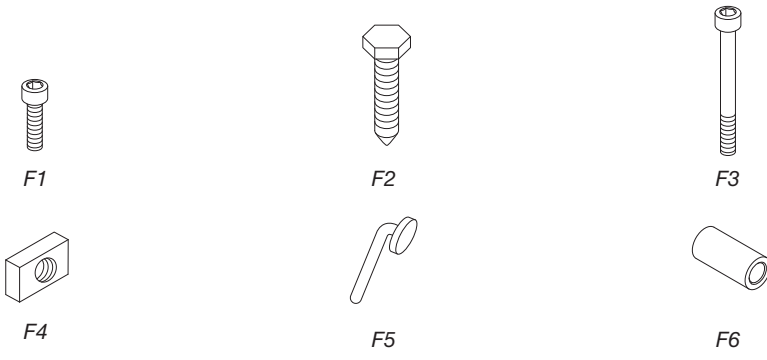
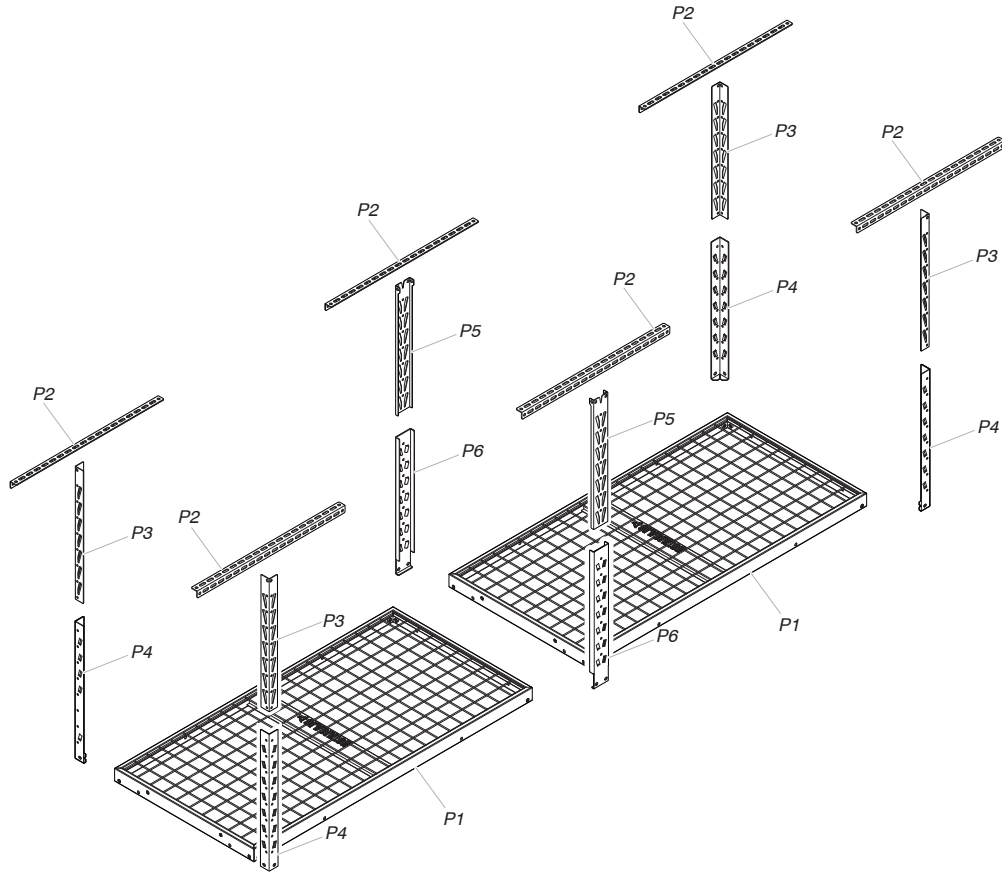


F5

Label	Description	Quantity
P1	2' x 4' rack section	1
P2	Ceiling bracket	4
P3	Vertical corner support - upper	4
P4	Vertical corner support - lower	4
F1	M8 - 1.25 x 12 socket-head cap screw	12
F2	5/16" x 3" lag bolt	8
F4	M8 - 1.25 rectangular nut	4
F5	EZ Connect locking pin	4

PARTS - 2 FT x 8 FT

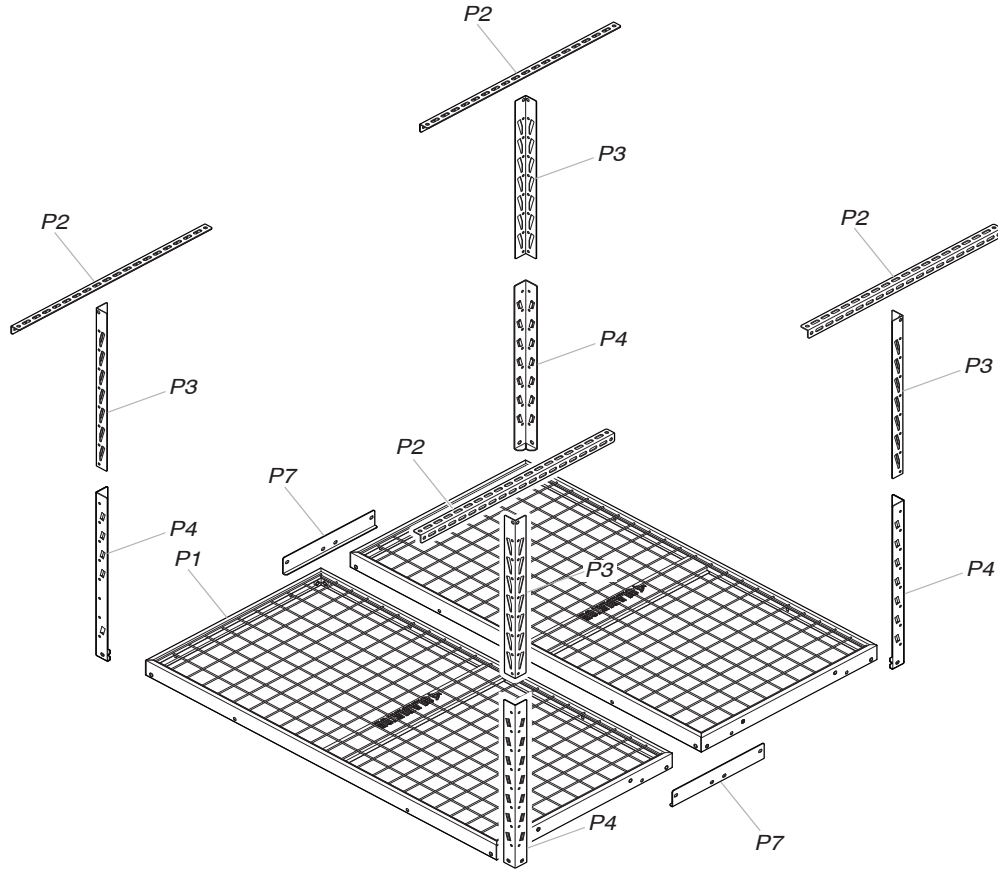
GALS28M2KG
GALS28M2KW



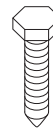
Label	Description	Quantity
P1	2' x 4' rack section	2
P2	Ceiling bracket	6
P3	Vertical corner support - upper	4
P4	Vertical corner support - lower	4
P5	Vertical center support - upper	2
P6	Vertical center support - lower	2
F1	M8 - 1.25 x 12 socket-head cap screw	22
F2	5/16" x 3" lag bolt	12
F3	M8 - 1.25 x 75 socket-head cap screw	2
F4	M8 - 1.25 rectangular nut	10
F5	EZ Connect locking pin	6
F6	Spacer	4

PARTS - 4 FT x 4 FT

GALS44M2KG
GALS44M2KW



F1



F2



F4



F5

Label	Description	Quantity
P1	2' x 4' rack section	2
P2	Ceiling bracket	4
P3	Vertical corner support - upper	4
P4	Vertical corner support - lower	4
P7	Rack connection bracket	2
F1	M8 - 1.25 x 12 socket-head cap screw	22
F2	5/16" x 3" lag bolt	8
F4	M8 - 1.25 rectangular nut	6
F5	EZ Connect locking pin	4

ASSEMBLY INSTRUCTIONS

Unpack the Overhead GearLoft™ Storage Rack

1. Unpack the rack sections, support sections, ceiling brackets and all hardware. Verify contents. See "Parts."
2. Dispose of all packaging materials properly.

Tools and Parts

- Install Overhead GearLoft™ Storage Rack according to manufacturer's instructions and any local codes.
- Only use provided fasteners. Do not use an alternate form of mounting. Do not alter or modify any components included with this product.
- Gather the required tools and parts before starting assembly.
- Read entire manual before starting assembly.

WARNING

Excessive Weight Hazard

**Use two or more people to move storage rack.
Failure to do so can result in back or other injury.**

Tools Needed

- Electric drill
- Drill bit (3/16") - included
- 1/2" socket wrench and/or 1/2" open end wrench
- 6 mm hex wrench - included
- Stud finder (If ceiling has drywall covering joists/rafters)
- Tape measure
- Step stool or step ladder
- Pencil / Marker
- Masking tape

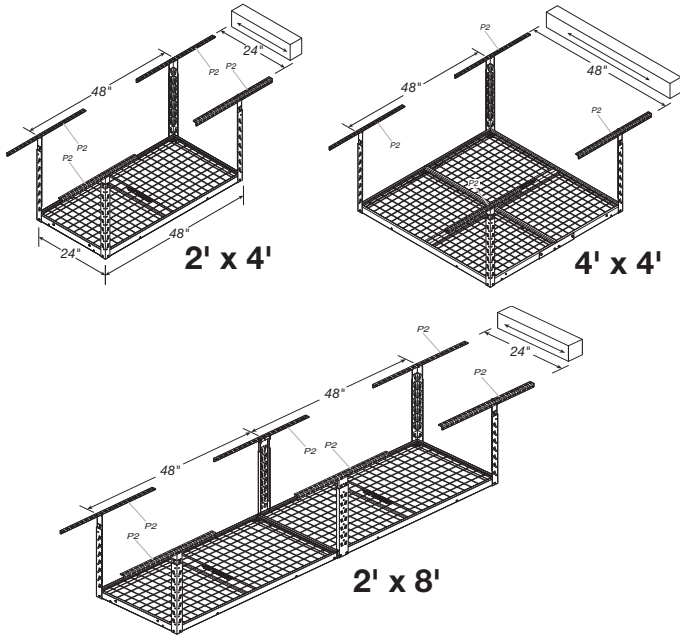
Overhead GearLoft™ Storage Rack Use Requirements

1. Intended for garage use, installed into a wood framed/ traditional wood structure type dwelling.
2. To be used for storing lightweight items overhead and out of the way.
3. Recommended to be positioned 80" minimum above floor (standard door opening height).
4. Check for clearance of all doors, vehicles, or any items to be positioned under the storage rack.
5. The maximum weight of all items combined on the rack not to exceed:
2 ft x 4 ft - 350 lbs.
2 ft x 8 ft - 350 lbs.
4 ft x 4 ft - 350 lbs.

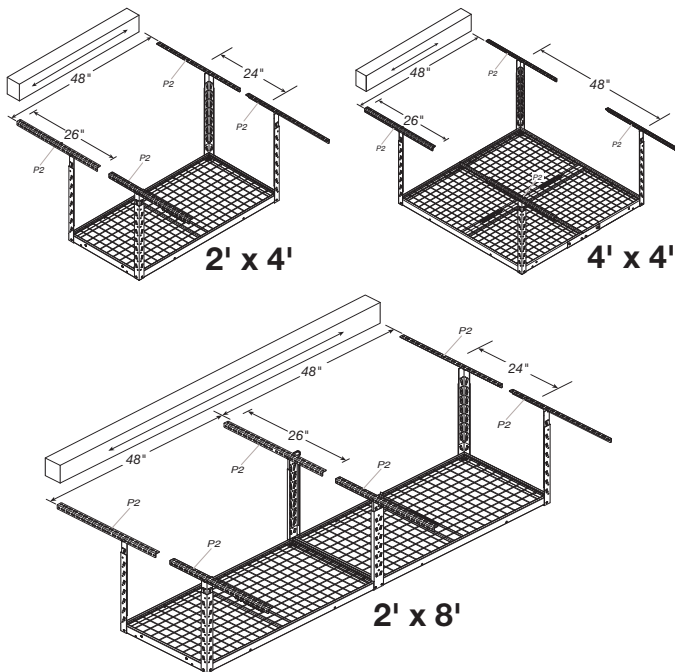
Assembling the Rack

1. Determine the ceiling bracket locations

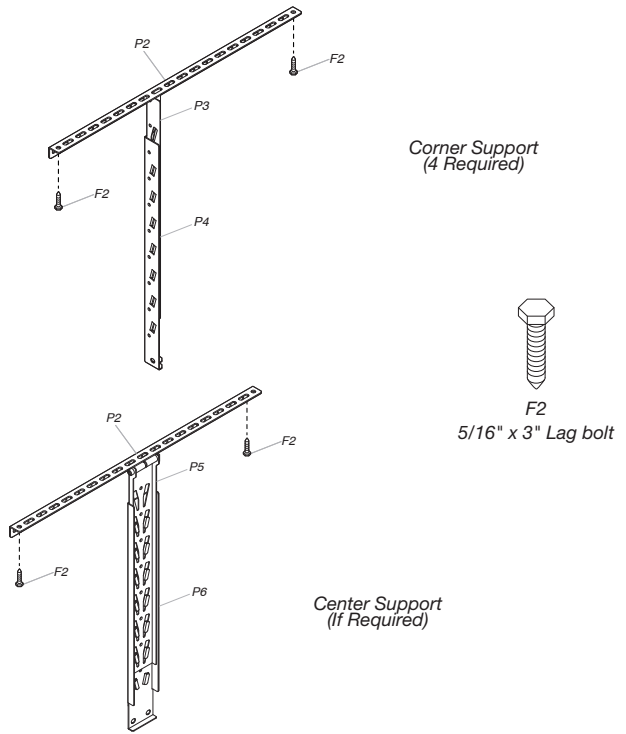
Parallel layout



Perpendicular layout



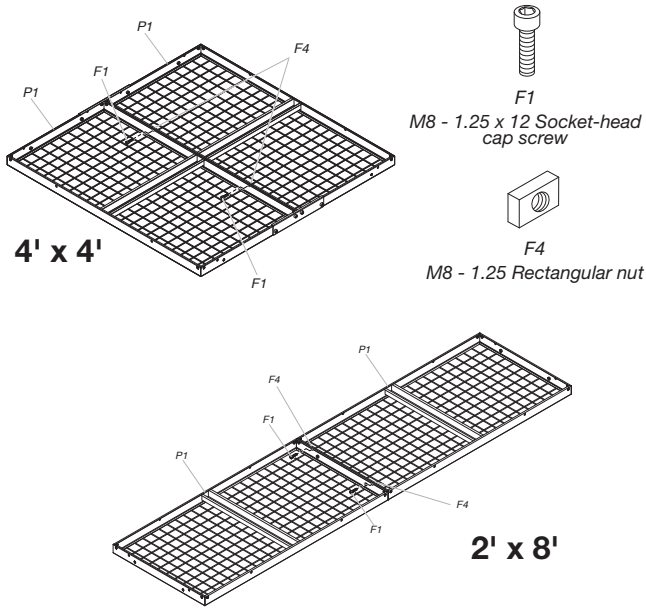
2. Attach the ceiling brackets



Using the provided drill bit (3/16"), drill all pilot holes in the center of the joists/rafters. Two lag bolts must be used on each bracket, one on each side of the vertical support. Mount the ceiling brackets (P2) using 5/16" x 3" lag bolts (F2) (8 or 12).

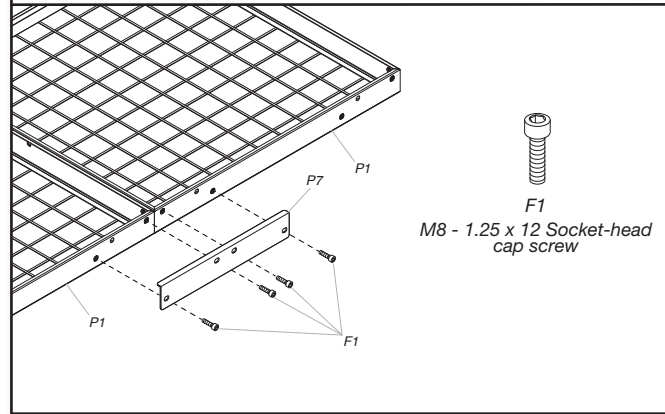
The storage rack ceiling brackets can be positioned parallel or perpendicular to the wood ceiling joists/rafters. Determine the application required for your desired installation. If drywall covers the joists, use a stud finder to determine the joist/rafter locations and mark with masking tape. For applications requiring installation of the brackets perpendicular to the joists/rafters, the maximum distance between them is 24". The brackets included allow for a 24" maximum span. See figure for typical ceiling layouts. Mark the location of the ceiling brackets on the joists/rafters or drywall, making sure the vertical supports can be positioned between the lag bolts used to attach the brackets. Position the center of the brackets on a 24"/48" grid as required.

3. Connect the racks (4' x 4', 2' x 8')



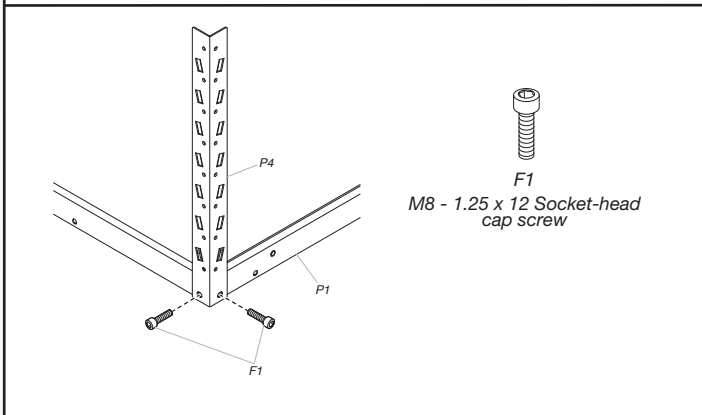
Lay two rack sections upside down on the floor. Assemble the rack sections (P1) together using M8 - 1.25 x 12 socket-head cap screws (F1) (2) and M8 - 1.25 Rectangular nuts (F4) (2).

4. Attach the rack brackets (4' x 4')



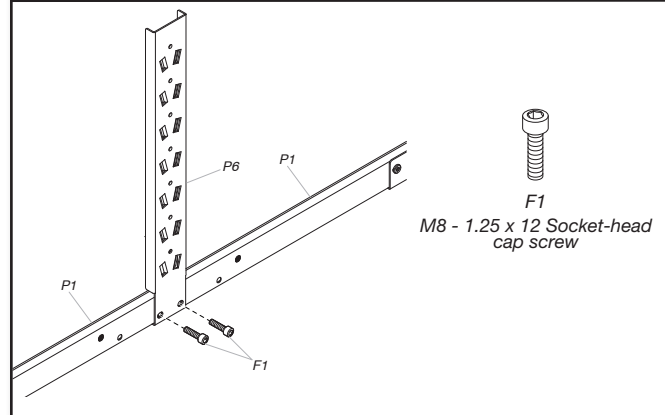
Attach the rack connection brackets (P7) to both sides of the two bolted-together rack sections using M8 - 1.25 x 12 socket-head cap screws (F1) (8).

5. Attach lower corner supports



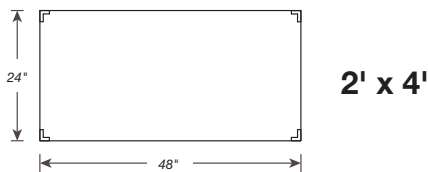
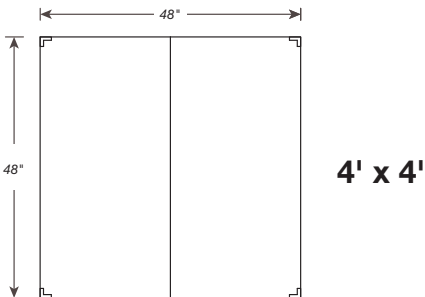
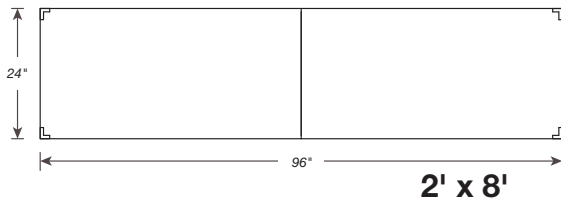
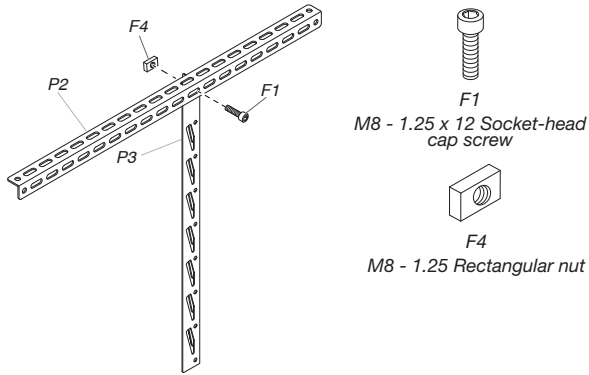
Attach the four lower corner supports (P4) to the rack corners using M8 - 1.25 x 12 socket-head cap screws (F1) (8).

6. Attach lower center supports (2' x 8')



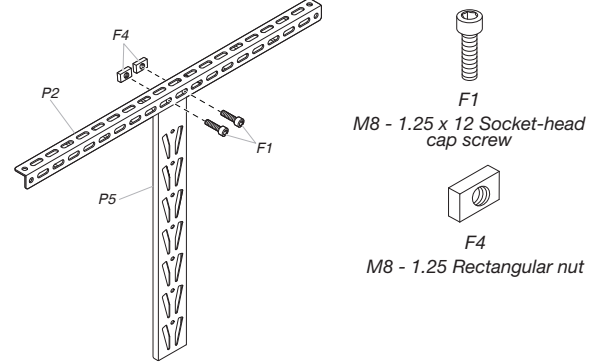
Attach the two lower center supports (P6) to the rack assembly using M8 - 1.25 x 12 socket-head cap screws (F1) (4).

7. Attach upper corner supports

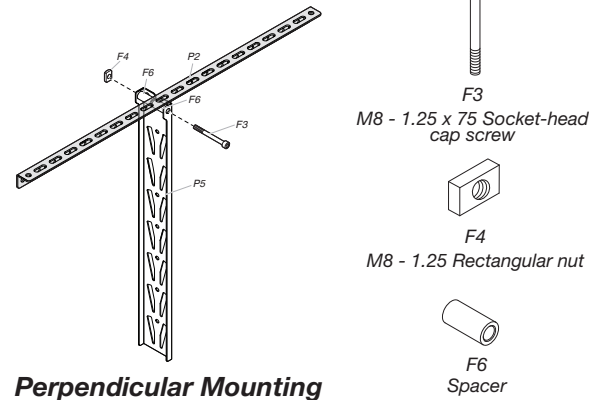


Attach the upper corner support (P3) to the ceiling brackets using M8 - 1.25 x 12 (F1) (4) and M8 - 1.25 rectangular nuts (F4) (4). Make sure they are positioned on the 24"/48" layout as required.

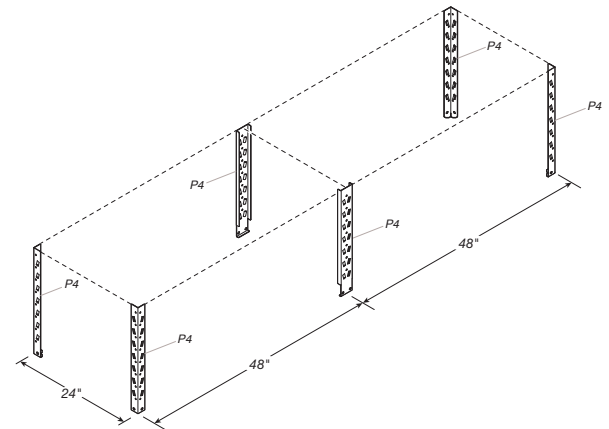
8. Attach upper center supports (2' x 8')



Parallel Mounting



Perpendicular Mounting



Attach the upper center supports (P5) to the ceiling brackets using one of the methods detailed above, depending on ceiling bracket mounting approach.

Parallel Mounting

Attach supports using M8 - 1.25 x 12 socket-head cap screws (F1) (2) and M8 - 1.25 rectangular nuts (F4) (2) on each upper center support.

Perpendicular Mounting

Attach supports using M8 - 1.25 x 75 socket-head cap screws (F3), M8 - 1.25 rectangular nuts (F4) and spacer (F6) (2) on each upper center support. Verify that all of the upper supports are properly spaced. They should be on a 24"/48" pattern as shown in the figure.

Installing the Overhead GearLoft™ Storage Rack

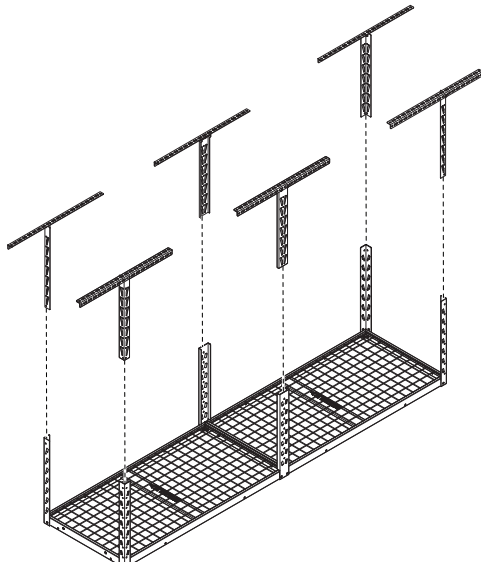
⚠ WARNING

Excessive Weight Hazard

Use two or more people to move storage rack.

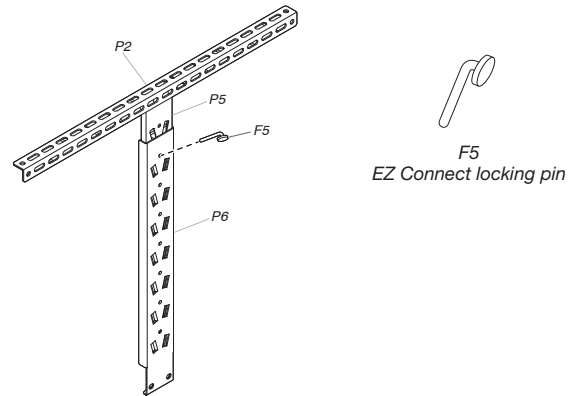
Failure to do so can result in back or other injury.

1. Attach the EZ Connect supports



Using two or more people, the rack system can be easily lifted and positioned overhead. The EZ Connect feature allows for positioning 23" to 37.8" from the ceiling. Lift the rack into place and connect the lower supports to the upper supports. Make sure the rack supports are facing the same way and the rack is level.

2. Complete the assembly



Make sure all bolts and screws are tight. Once the rack is in the desired location below the ceiling, place an EZ Connect locking pin (F5) in a hole on each of the corner and center supports to lock/retain them together. The pins go through both upper and lower supports.

NOTE: The rack system can be repositioned up or down by removing all locking pins and relocating the EZ Connect position on the supports. Use two or more people to relocate the rack and replace the EZ Connect locking pins (F5).

Storage Rack Care

- Wash storage rack with a mild liquid detergent and warm water using a soft, clean cloth.
- Check fastener tightness annually.

Registering Your Product

There are many benefits of registering your product. Find out more and register your product online at www.gladiatorgarageworks.com. In the USA, call 1-866-342-4089. Consumers in Canada can call 1-800-807-6777.

WARRANTY

For warranty information:

In U.S.A. call **1-866-342-4089** or visit our website at

www.GladiatorGW.com

In Canada call **1-800-807-6777** or visit our website at

www.gladiatorgarageworks.ca

There are many benefits for registering the product. Find out more and register the product online at **www.gladiatorgarageworks.com**.