

### Scope of Delivery:

- Sensor head with accessories for all installation options
- 24V Powerpack for system connection

### Technical Data

- Product-No. 102435
- Maximum installation height: 5m
- Output signal presence and light value: 10mA active and passive. No pull-up resistor required.
- Power supply: 15-28V DC
- Power consumption at 24V: 48 mW
- Ambient temperature: 0-50°C
- IP 41

### Nano



12mm

### Micro



17mm

### Mini



25mm

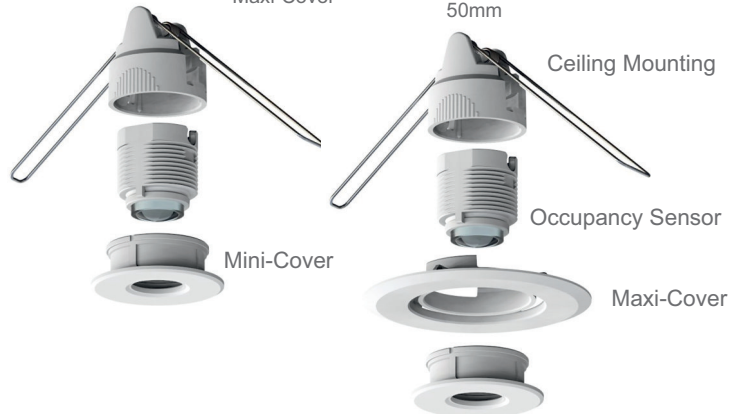
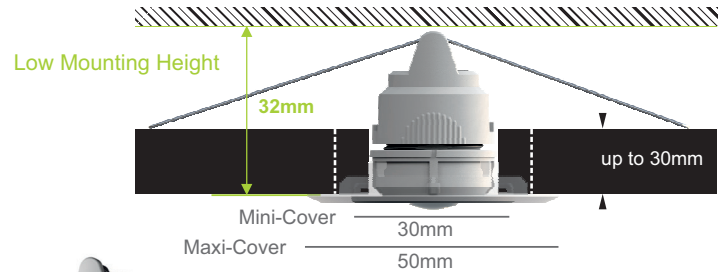
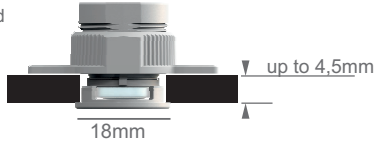
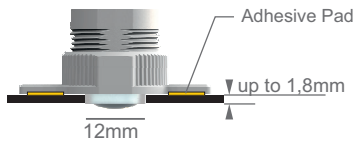
### Maxi



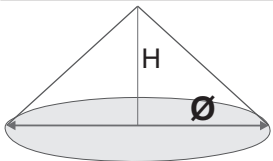
38 - 45mm

### 4 installation options

Ceiling Cutout / Hole Diameter



### Observation Area

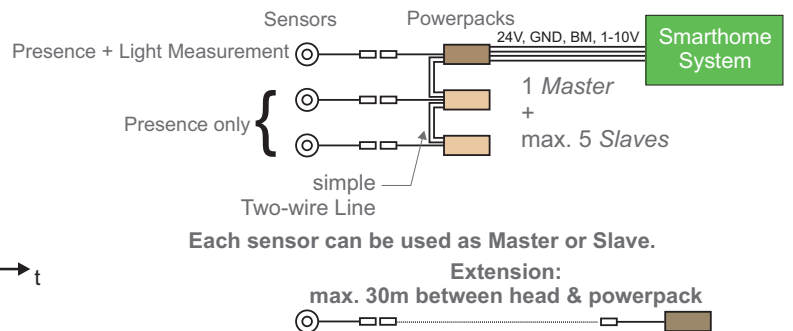
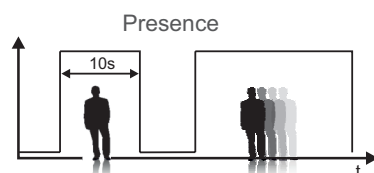
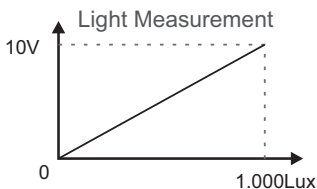
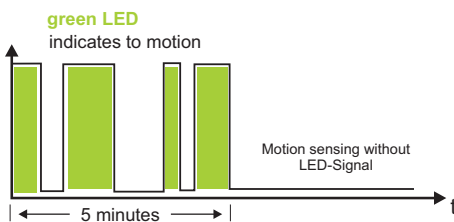


$$\varnothing = 2,22 \times H$$

Example: H=3m  
 $\varnothing = 2,22 \times 3m = 6,66m$

### Observation Area Extension

### Installation



### Powerpack

- Dimensions: 50 mm(L) x 18 mm(B) x 14 mm(H)
- Connection: Terminal screw
- single-wire 1,5 mm<sup>2</sup>
- fine-wire 1 mm<sup>2</sup>