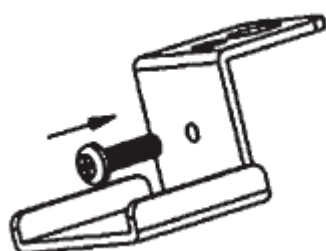
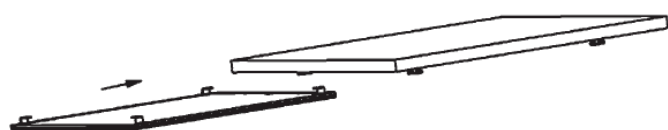


A: Fix these four lifting devices on the foof with screws according to the size showed in the illustration.



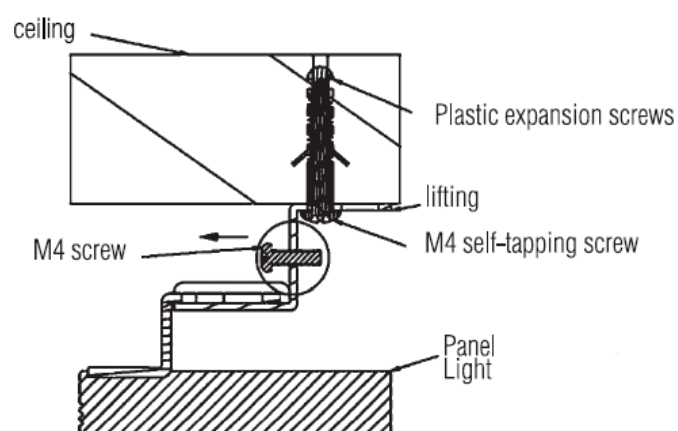
B: Nail M4 screws into lifting devices in the direction as the arrow shown. Attention: The screws should be nailed to the bottom.



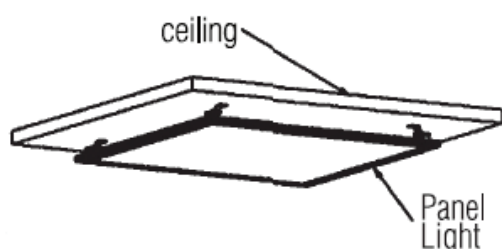
C: Put the LED panel on the lifting devices in the direction as illustration showed.



D: Pay attention to the combination between the direction of the LED panel and lifting devices.



E: Loosen the M4 screws which are in the Step B to the location as illustration showed. Attention: This is the combination darwing between a single lifting device and the LED panel.



F: Installation finished.