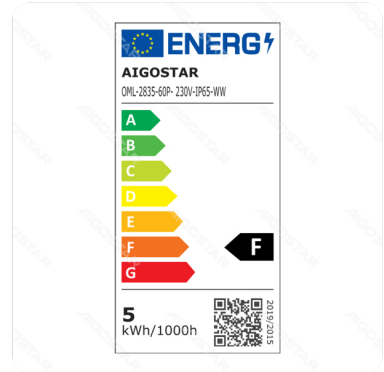


Integrated Circuit LED Strip Light Yellow 50m 8mm

Barcode: 8433325291303



Feature

Technology	LED
------------	-----

Specification

Dimension	H6.5*W10.5 mm
Length	50m
Roll size	D315*H130mm

Technical parameters

Voltage	220-240V ~
Luminous flux	460lm/m
EEL	F
CRI	Ra≥70
Beam angle	120°
Hg%	Zero
Power	5W/m
Frequency	50/60Hz
Color temperature	3000K
DF	≥0.9

Application environment

Environment	Indoor and outdoor
-------------	--------------------

Working Temperature	-20°C ~ 40°C
IP level	IP65

Life span

Life span	20000h
-----------	--------

Material

Main Materials	PVC&PCB
----------------	---------

Certification

Certification	
---------------	---

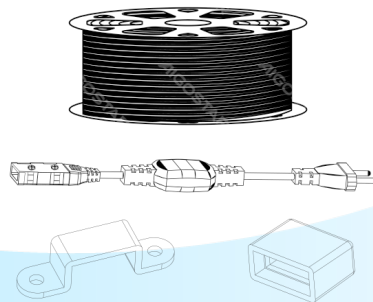
Package

Package	roll/color box(50m)
Outer Package	roll/color box(50m)
Unit package qty	1
Outer package qty	1

Internal parameter

Power consumption per 1,000 hours	5kwh/1000h
-----------------------------------	------------

Dimensional diagram



Certification Download

Instruction
manual

Download

EEL

Download