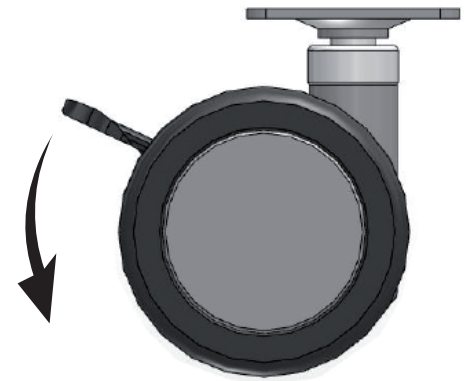
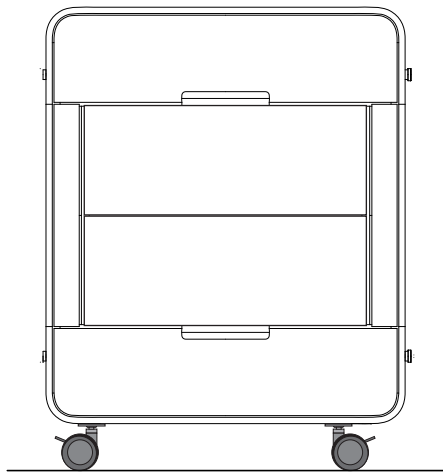
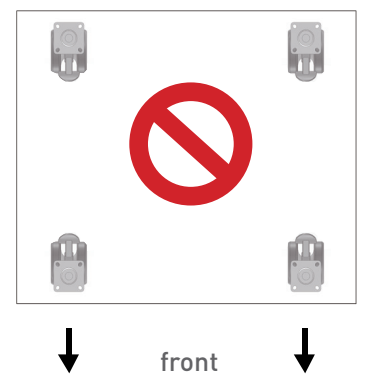
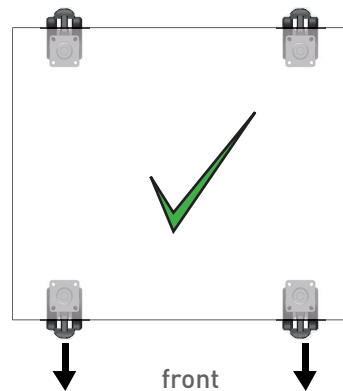
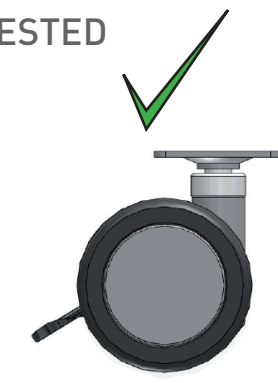
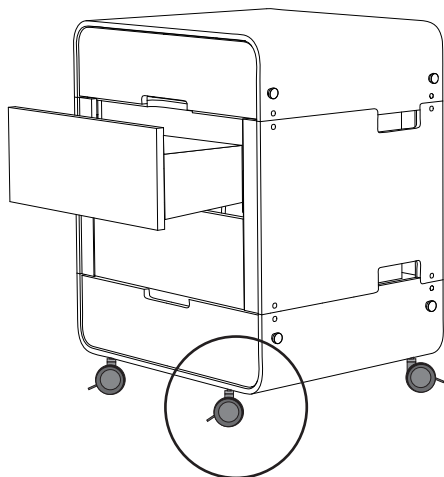


DO NOT LEAVE CHILDREN UNATTENDED

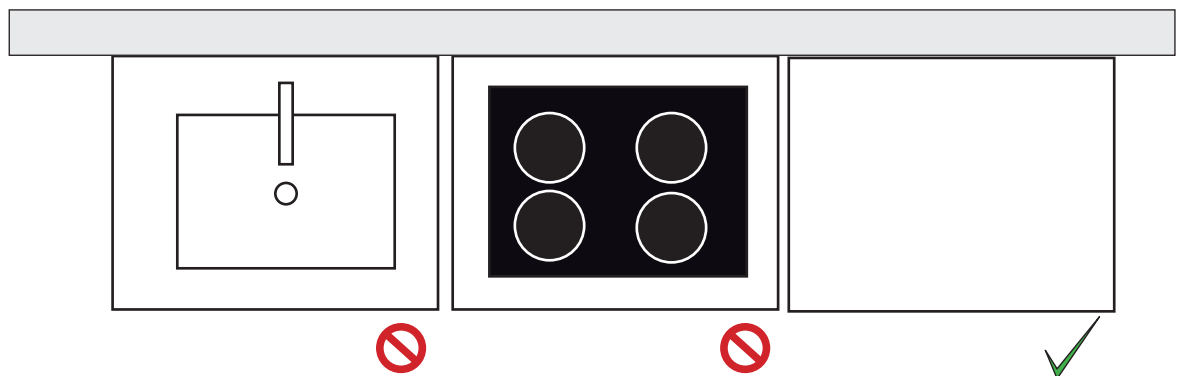
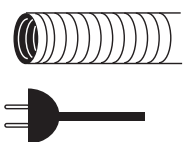


press down to arrest

ONLY USE WHEN CASTORS ARRESTED



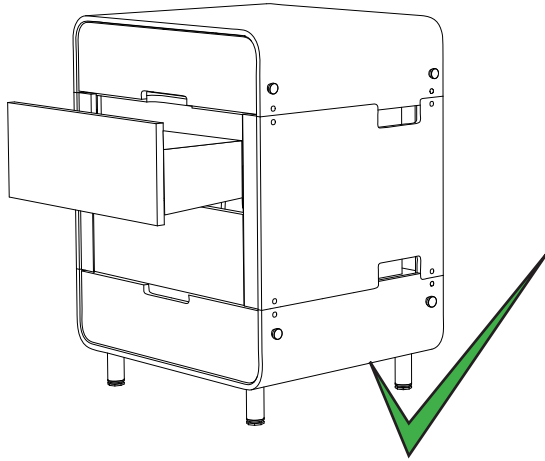
DO NOT MOVE WHEN/ WHILE APPLIANCES ARE CONNECTED



CAUTION/ ACHTUNG!

instructions for usage

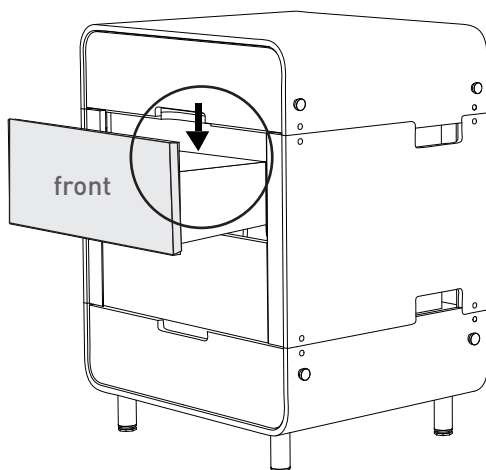
OPEN ONLY ONE DRAWER AT A TIME



DO NOT STEP OR SIT OR LEAN ON OPEN DRAWERS



**LOAD LEIGHT IN FRONT
LOAD HEAVY IN THE BACK**



front



front

