

Ledvion

IP20 BATTEN

INTEGRATED LED

5692 DH Son en Breugel
Ekkersrijt 4304
The Netherlands
www.ledvion.com

LV40001, LV40002, LV40003, LV40004 LV40005 & LV40006

EN INSTALLATION INSTRUCTIONS:

Attention

Installation should only be done by persons with electro technical knowledge and experience. These products are not suitable for installation at locations near the sea or in other environments with a corrosive atmosphere.

NL INSTALLATIE INSTRUCTIES

Attentie

Installatie dient door een erkende installateur te worden verricht in overeenstemming met plaatselijke en (inter)nationale voorschriften voor elektrische installaties. Niet geschikt voor installatie op locaties dicht bij de zee of in overige omgevingen met een corrosieve atmosfeer.

ES INSTRUCCIONES DE INSTALACIÓN

Atención

Instalación sólo para personas con conocimientos técnicos de electricidad y experiencia. No es adecuado para su instalación en lugares cercanos al mar o en otros ambientes con una atmósfera corrosiva.

DE INSTALLATIONSANLEITUNG

Beachtung

Die Installation sollte nur durch Personen mit elektronischen Kenntnissen und Erfahrungen ausgeführt werden. Nicht geeignet für die Installation an Orten nahe am Meer oder in anderen Bereichen mit einer korrosiven Atmosphäre.

FR NOTICE D'INSTALLATION

Attention

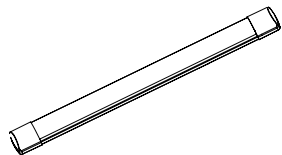
L'installation ne doit être effectuée que par des personnes possédant des connaissances et de l'expérience en électrotechnique. Ne convient pas pour une installation dans des endroits à proximité de la mer ou dans d'autres zones avec une atmosphère corrosive.

TECHNICAL DATA:

Model	Watt	Fixture Lumen	IP Value	CRI	CCT	Dimmable	IK Rating	Dimensions	Input Power
LV40001	15W	1680Lm	IP20	>80	4000K	No	IK08	630 x 71 x 25 mm	AC: 220-240V, 50/60Hz
LV40002	30W	3360Lm	IP20	>80	4000K	No	IK08	630 x 71 x 25 mm	AC: 220-240V, 50/60Hz
LV40003	40W	4480Lm	IP20	>80	4000K	No	IK08	1230 x 71 x 25 mm	AC: 220-240V, 50/60Hz
LV40004	15W	1680Lm	IP20	>80	6500K	No	IK08	1230 x 71 x 25 mm	AC: 220-240V, 50/60Hz
LV40005	30W	3360Lm	IP20	>80	6500K	No	IK08	1530 x 71 x 25 mm	AC: 220-240V, 50/60Hz
LV40006	40W	4480Lm	IP20	>80	6500K	No	IK08	1530 x 71 x 25 mm	AC: 220-240V, 50/60Hz

Ledvion

IP20 BATTEN



- 2 x Quick connector
- 2 x
- 2 x
- 2 x

Ledvion
 Ekkersrijt 4304
 5692 DH Son en Breugel
 The Netherlands

www.ledvion.com

EN INSTALLATION INSTRUCTION

WARNINGS!

- Please make sure to turn off the power before starting the installation.
- The light source of this luminaire is not replaceable, when the light source reaches its end of life the whole luminaire should be replaced.
- Before installation, you must carefully check the integrity of the product and accessories.
- When installed, products and flammable materials to ensure that at least 0.2m distance, lightning cannot be installed in the zenith or heat wall, pay attention to low voltage and high voltage electrical wiring separately.
- If the external flexible cable or cord of this luminaire is damaged, it shall be exclusively replaced by the manufacturer or his service agent or a similar qualified person in order to avoid a hazard.
- To ensure that the power cord has enough length, do not kink cables. Output cables should be laid separately and at a distance from other cables.
- Install only by certified electrician.

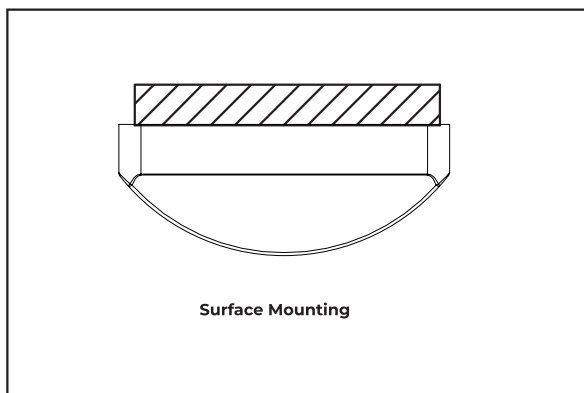
INSTALLATION INSTRUCTIONS

- Choose the right position, drill two hole and insert the screw (make sure the distance between the holes is no less than 50mm, Less than bracket length).
- Shrapnel point it at the hole and then install the screws.
- Press the lamp body firmly into the mounting buckle to fix the lamp body, Slide the lamp body along the mounting buckle to the desired position as needed.
- Connect the wiring, use insulating tape, and waterproof tape for insulation and waterproofing, turn the power ON and test.

PACKING:

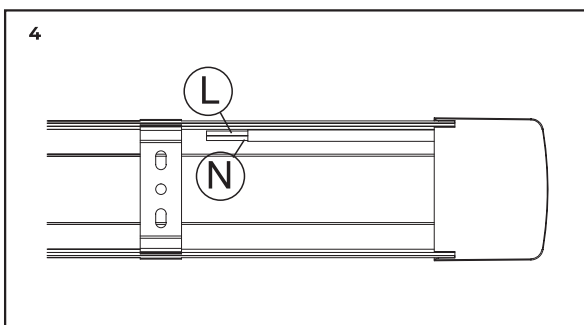
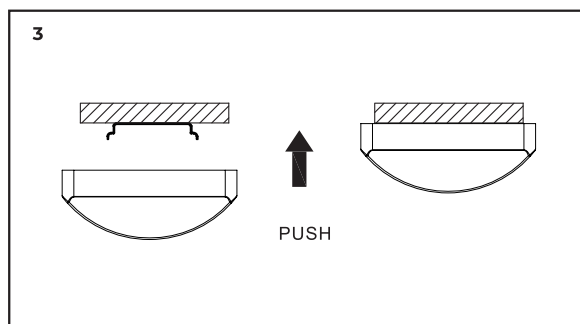
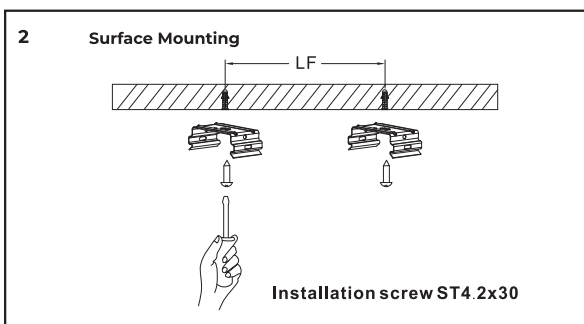
- IP20 Batten (1PC)
- Instruction Manual (1PC)
- Quick connector, clips & screws

INSTALLATION:



1

Type Desc	LF (mm)
LV40001	300-450
LV40004	300-450
LV40002	600-750
LV40005	600-750
LV40003	800-1000
LV40006	800-1000



- This marking indicates that this product should not be disposed of with other household wastes.
- LED batten suitable for 50/60Hz operation.
- Led lamps to be used in dry conditions or in a luminaire that provides protection.
- Caution, risk of electric shock.
- LED batten are NOT suitable for dimming.
- Led batten not suitable for emergency operations.

