

Ledvion

DAY/NIGHT CONTROL SWITCH

With timer

5692 DH Son en Breugel
Ekkersrijt 4304
The Netherlands
www.ledvion.com

220-240V/AC | 50/60Hz
IP54 | <3-500LUX (adjustable)

LV10032

SPECIFICATIONS & FUNCTIONS

THE LEDVION DAY/NIGHT CONTROL SWITCH WITH TIMER

This item is an automatic photocell switch for lamps. When the ambient-light darkens to the LUX that you set in advance, the light will turn on. The light will turn off at the preset time or when the ambient-light is more that the setting LUX. You can add the adjustable LUX and time functions in the settings. It is easy and comfortable to use.

SPECIFICATIONS

- Voltage: 220-240V/AC
- Rated current: 10A
- Working temperature: -20~ + 40°C
- Built-in timer: 1, 2, 3, 4, 5, 6, 7, 8 & 9 hours
- Power frequency: 50/60Hz
- Ambient light: <3 - 500 LUX (adjustable)
- Working humidity: <93%RH
- IP class: IP54

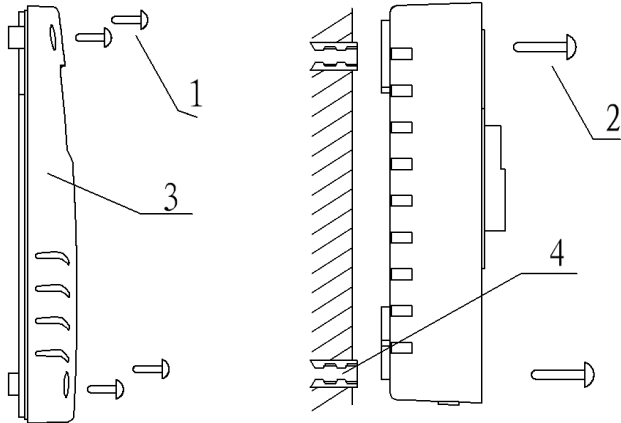
FUNCTIONS

- LUX setting: Turn the LUX knob anti-clockwise to the "3" position, the photocell will only work in the dark (less then 3 LUX). If the knob is turned clockwise to "500" position, then it will only work when the ambient light is less then 500 LUX.
- TIME setting: You can easily set the regular working hours of the photocell as you would like to.

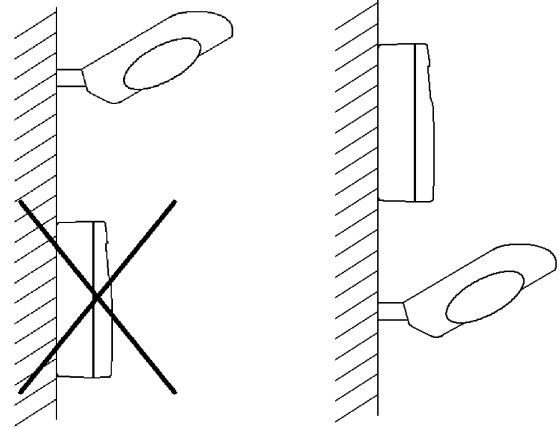
INSTALLATION, SETTINGS & TESTING

INSTALLATION

- Switch off the power
- Make the four screws on the cover loose and take down the cover.
- Connect the wire with the product as the connection-wire diagram.
- According to the correct installation place, install the product with the enclosed inflated screws.
- Install back the cover and switch on the power.
- Test the control switch.



Figure



Incorrect

Correct

TIME SETTINGS

The LED indicator inside the sensor will flash to display the preset times as following:

1. 1 hour: flash one time
2. 2 hours: flash two times
3. 3 hours: flash three times
4. 4 hours: flash four times
5. 5 hours: flash five times
6. 6 hours: flash six times
7. 7 hours: flash seven times
8. 8 hours: flash eight times
9. 9 hours: flash nine times
10. Dusk to dawn: rapidly flash ten times

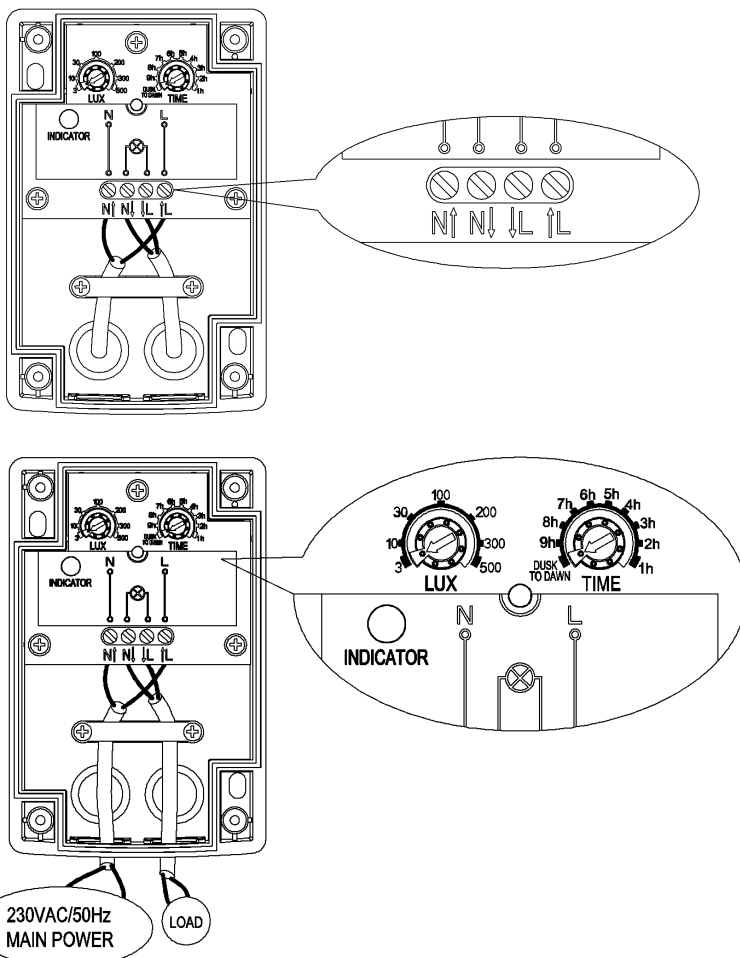
Note: When you set the 'TIME' knob to 'DUSK TO DAWN', after 1 minute, the lamp will turn on. Then hold the lighting for 1 minute, then the lamp will turn off.

TEST

- Set the LUX knob to the '3' position and set time knob to '1h' position.
- When you test in daytime, you should cover a black opaque cloth on the product, the ambient light of the photocell is less than 3 LUX, after 1 minute, the lamp will be on for one hour.
- When you take away this cloth, the lamp will be automatically off.
- When you slide the LUX knob to '500' position, the lamp could be on in the ambient light for less than 500 LUX.

NOTE

- In front of the photocell, there should be no obstruction affecting to accept natural light.
- In front of the photocell, there should be no swaying object.
- Don't install the photocell under the light or in the place where the light will be irradiated to the photocell.
- When the lamp is on, another light source irradiate to the photocell, and this light lasts more than one minute, the lamp will turn off and the electronic timer will stop counting. The timer will recount from the beginning when the light turns on again.
- The electronic timer will reset when the power is off over 2-5 seconds.



Connection-wire diagram