



PRODUCT INSTRUCTION

Shenzhen Pard Technology Co.,Ltd

PARD
Digital Night Vision
NV008S-LRF



Rangefinder Version

—2—

PARD
Digital Night Vision

NV008S



Standard Version

—1—

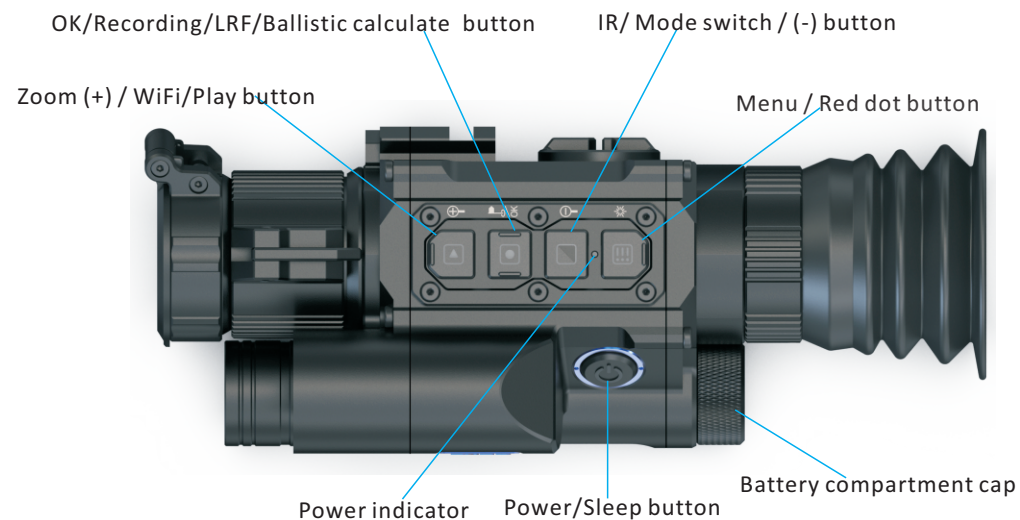
Notes

1. Don't look at the IR infrared light directly, or it will damage your eyes!
2. Massive power will be gathered when the infrared light is turned on. Don't aim at flammable items at a close range, otherwise it may cause fire. Please turn the infrared light off or enter sleep mode after use.
3. Please use a rechargeable battery with a rated voltage of 3.7V!
4. Attempts to disassemble or repair the device without authorization will void the warranty. Please contact with the maintenance point in time if there's any needs.

—3—



—4—



—5—

Package Contents

The packaging contains a night vision optics with the following:

NV008S/NV008S-LRF;	Type-C cable;
Hex-nut wrenches;	Mount;
18650 3.7V Li-ion battery	carrying box

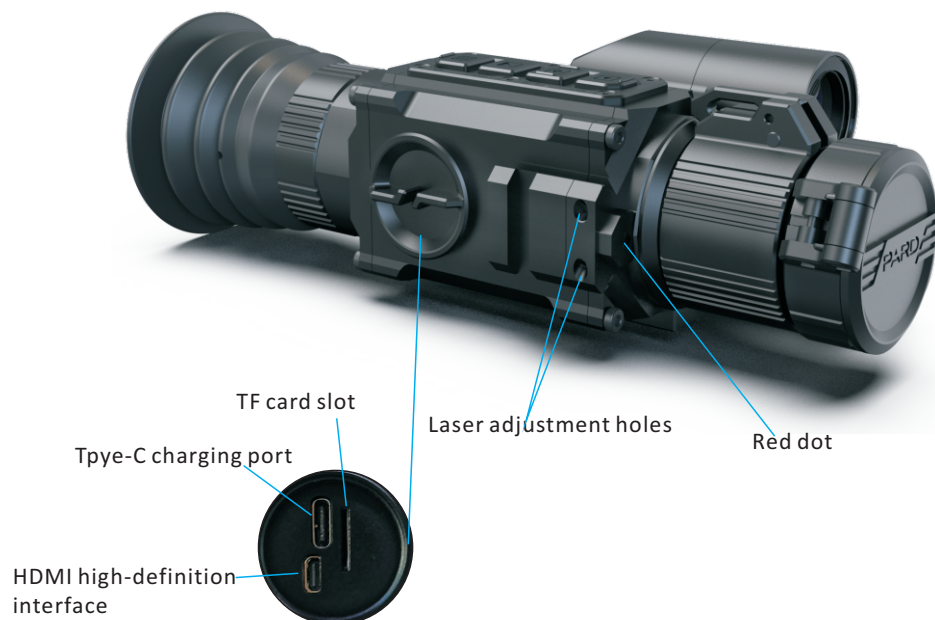
Storage card is not included. Please prepare a TF card (128g maximum) for data storage.

Installation

1. Battery Installation

Remove battery compartment cap and insert a 18650 3.7V Li-ion battery with its positive polar towards to the direction inward. Then put the cap back and screw it tightly. (Fail to do so may result in restarting!)

—7—



—6—

2.Adjustments

Rotate and adjust the eyepiece dioptre adjustment ring until you can see the four-character icon on the screen (there's no need to see a clear image), then rotate the Objective lens adjustment ring until you can see the target clearly. Next, switch to different modes, test IR, Red dot and Rangefinder to check the function of the device.

3. Mount Installation

There are five mounting holes in the base of the device. Attach the mount to the base of the device by using a hex-nut wrench and screws. The mount can be installed with Picatinny rails.

Instructions

1.Turn On/Off:

Turn on the device with a short press of Power button.Turn off the device with a long press of Power button. Power indicator will keep light when the device is turned on.

—8—

5.IR Fill Light Control

Turn on the device, enter black and white mode with a long press of IR button. Switch to IR level 1-3 or off with a short press of IR button. The part of fill light is stretchable which can be twisted out or back to make an quick adjustment.

6.Red Dot Adjustment

Turn on the device, then turn the laser on/off with a long press of Laser/Menu button. The position of laser can be adjusted on the laser adjustment holes by a hex-nut wrench.

7.Menu operation

Enter the menu with a short press of Menu button. Press +/- button to select options. Enter a submenu with a short press of OK button. Exit the menu with a short press of Menu button.

1>BC Setting (Ballistic Calculation)

Enter the BC Setting by a press of OK button, then press "+" or "-" button to switch among ballistic calculation Parameters/ON/Off options. Confirm your selection with a short press of OK button.

—10—

2.Sleep Mode:

Enter sleep mode with a short press of Power/Sleep button when the device is on. Power indicator will keep light when the device enters sleep mode.

3.The Eyepiece Dioptre Adjustment

The purpose of dioptre adjustment is to get a clear image for users with different vision. Rotate and adjust the dioptre adjustment ring until you get a clear view of the four-character icon on the screen. One adjustment only for each eye.

(Please note that the image is not clear normally without the adjustment of objective lens.)

4.The Objective Lens Adjustment

Make sure the eyepiece dioptre adjustment is finished. Aiming at your target, rotate and adjust the objective lens ring until you get a clear and well-focused image.

—9—

After entering the ballistic calculation parameter setting, press the menu/ok button to move up and down to select sub-options and +/- button to adjust the value of them. To save and return to the observation interface by a long press of the OK button; return to the observation interface without saving by a long press of menu button.

2>Range Unit Selection

Enter the submenu range unit selection with a short press of OK button. Select "Meter" or "Yard" with a short press of +/- button. Confirm your selection with a short press of OK button.

3>PIP (Picture-in-Picture)

Enter the submenu PIP mode with a short press of OK button. Select "off, on, shortcut key off or shortcut key on" with +/- button. Confirm your selection with a short press of OK button.

Once the shortcut key of PIP is turned on, enter or exit PIP mode with a long press of Menu button.(Laser function can not work in this situation)

—11—

4>Reticle Adjustment

Enter the submenu reticle adjustment with a short press of OK button. Select options with a short press of OK button and adjust value with short press of +/- button.

To confirm your setting by enter "Save" with a short press of "+" button or cancel with a short press of "-" button, then press OK button to confirm and exit.

5>Gyroscope

Enter the submenu Gyroscope with a short press of OK button. Select "Display" or "Calibration" with a short press of +/- button. Select "On" or "Off" to turn on/off the gyroscope after entering "Display". Turn on the gyroscope before you select "Calibration". Enter "Calibration" by a short press of OK button. Keep the machine level and stand still for about 8 seconds to complete the calibration.

6>Default Magnification

Enter the submenu Default Magnification with a short press of OK button. Select "6.5x/13x" or "4.5x/9x" as default magnification and confirm your selection with a short press of OK button.

—12—

10>Auto Recording

Enter the submenu Auto Recording with a short press of OK button. Select "Off" or "On" with a short press of +/- button. Confirm your selection with a short press of OK button.

11>Loop Recording

Enter the submenu Loop Recording with a short press of OK button. Select "Off", "3 minutes", "5 minutes" or "10 minutes" with a short press of +/- button. Confirm your selection with a short press of OK button.

12>Self-activated Recording

Self-activated Recording means device will keep recording at background, every 20 seconds as an interval. Once it "sensed" a rifle shooting, the 20 seconds video where the moment of shooting happens will be automatically saved in TF card.

Enter the submenu Self-activated Recording with a short press of OK button. Select On/Off with a short press of +/- button and confirm your selection with a short press of OK button.

—14—

7>Default Color

Enter the submenu Default Color with a short press of OK button. Select "Color" or "Black & White" mode with a short press of +/- button, then confirm your selection with a short press of OK button.

8>Brightness Of IR

Enter the submenu Brightness of IR with a short press of OK button. Select "Off", "1", "2", or "3" with a short press of +/- button. Confirm your selection with a short press of OK button.

Please note this setting is for the default brightness of IR. Pressing IR button under Black & White mode for instant setting of IR brightness.

9>Brightness

Enter the submenu Brightness with a short press of OK button. Select "LEVEL 0", "LEVEL 1", "LEVEL 2", "LEVEL 3" or "LEVEL 4", "LEVEL 5", "LEVEL 6" with a short press of +/- button. Confirm your selection with a short press of OK button.

—13—

Enter the submenu Self-activated Recording with a short press of OK button. Select On/Off with a short press of +/- button and confirm your selection with a short press of OK button.

13>Date Stamp

Enter the submenu Date Stamp with a short press of OK button. Select "Off" or "On" with a short press of +/- button. Confirm your selection with a short press of OK button.

14>Record Audio

Enter the submenu record audio with a short press of OK button. Select "Off" or "On" with a short press of +/- button. Confirm your selection with a short press of OK button. This setting is to realize an audio or a silent video.

15>Beep sound

Enter the submenu beep sound with a short press of OK button. Select "Off" or "On" with a short press of +/- button. Confirm your selection with a short press of OK button. This setting is to determine if keyboard press sound will be in the video or not via HDMI output.

—15—

16>WiFi

Enter the submenu WiFi with a short press of OK button. Select "Off" or "On" with a short press of +/- button. Confirm your selection with a short press of OK button. Exit WiFi with a long press of "+" button. (The Menu page can not be opened while WiFi is turned on)

The default user name and password of WiFi are PARD and 12345678. The corresponding APP is available on PARD official website(www.pard.com).

17>Exposure

Enter the submenu exposure with a short press of OK button. Select one of the options with a short press of +/- button. Confirm your selection with a short press of OK button.

18>Language

Enter the submenu Language with a short press of OK button. Select one of the options with a short press of +/- button. Confirm your selection with a short press of OK button.

—16—

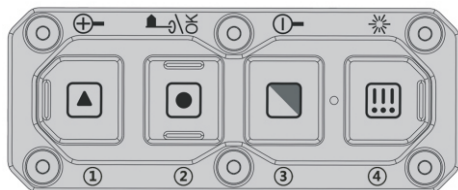
22>Version

Press "OK" after the "Version" option is selected by the cursor to check the current version number of the device.

8.Shortcuts

Power/Sleep button

Turn on the device with a short press of power button, turn off the device with a long press of power button. Enter or exit sleep mode with a short press of sleep button.



—18—

19>Date/ Time

Enter the submenu "Date/Time" with a short press of OK button. Select one of the options with OK button. Set value for year, month and date with a short press of +/- button. Select "YY/MM/DD", "MM/DD/YY" or "DD/MM/YY" as your date format with a short press of +/- button. Save selected date and exit the submenu with a short press of Menu button.

20>Format

Enter the submenu "Format" with a short press of OK button. Select "Cancel" or "OK" with a short press of +/- button. Confirm your selection with a short press of OK button.

Please be careful, the data can not be recovered after the device is formatted.

21>Default Setting

Enter the submenu "Default Setting" with a short press of OK button. Select "Cancel" or "OK" with a short press of +/- button. Confirm your selection with a short press of OK button.

—17—

①.Zoom(+)/ WiFi /play button

Zoom in or out with a short press of zoom button. Open or close videos in the memory card with a long press of zoom button when WiFi is off; turn WiFi off with a long press of zoom button when WiFi is turned on, select videos by press +/- button, confirm the video by press OK button. Fast forward or rewind the video by press +/- button when the video is playing.

②.OK / Recording / LRF /Ballistic calculate button

Turn on/off LRF with a short press of LRF button on running interface when BC function is off. Turn on/off LRF or BC when BC function is on. Turn on/off record with a long press of recording button. (Do not block LRF module during ranging)

③.IR/ Mode switch (-) button

Switch between black and white/color mode with a long press of IR button. Pressing IR button under Black & White mode for instant setting of IR brightness.

④.Menu/ Red dot button

Turn on or off the red dot with a long press of red dot button. (This function will not work under PIP shortcut key mode.) Enter or exit the menu page with a short press of menu button.

—19—

Specifications

Model	NV008S	Ranging range	/	Dimension (mm)	182*70*53.5
	NV008S-LRF		3.5-1200m		182*71.5*53.5
Magnifying power	4.5x-9x/ 6.5x-13x	IR wave length	850nm/ 940nm	Weight	415g
					445g
Output type	AVI	Storage type	T F Card	Battery life	8h(max)
Voltage	3.7V	Focusing	3m-∞	Transmission method	WiFi
Video resolution	1920*1080	IR power	5w	IR illuminate distance	350m
Eyepiece resolution	1024*768	Frame rate	30fps	Battery	18650x1

—20—

Warranty

This product is warranted against defects in materials and workmanship for a period of two years from the date of purchase.

Notice::

Attempts to disassemble or repair the device without authorization will void the warranty. Please contact with the factory in time if there is anything wrong.

The warranty does not cover damage caused by human factors, accident, misuse of the product including use in abnormal working conditions, failure to follow the instructions. No warranty is offered for products which have gone beyond the period of warranty.

All rights reserved.

—22—

Warranty Card

Product model:

Product code:

Date of purchase:

Warranty period:

User Name:

User's phone:

User address:

Warranty records:

—21—

REMARK :

PARD has an original mount included in the NV008S/NV008S-LRF standard package. In order to have the best usage experience, we highly recommended users make use of PARD original mount when apply the device to your rifles.

If users want to use their own mount, there may be some variance when zeroing the machine normally. PARD provides 2 pieces of small metal plates in the product package, for users put at the rail to adjust the horizontal level when mounting SU/SU-LRF on.

PLEASE CONSULT OUR ONLINE CUSTOMER SERVICE IF YOUR HAVE ANY PROBLEM WHEN MOUNTING OUR DEVICES AT YOUR ORIGINAL RIFLE RAIL.

—23—



Facebook



VK



YouTube



Instagram

E-mail: support@pard-tech.com

Telephone: +86-755-29484438

Website: www.pard.com

Address: No.328 Baoshi East Road,Shiyan,Baoan District,Shenzhen,China