



Flex Booms

300 021 155, 156

Wave Booms

Product nr.	300 021 155
Length	1600/1750mm
Material	Stainless Steel
Max Pressure	150BAR
Inlet Port	1/4" F
Outlet Port	1/4" M
Max Temperature	90°C
Model	Double

Product nr.	300 021 156
Length	1750mm
Model	Single

Wall Mount	
Product nr.	300 021 147

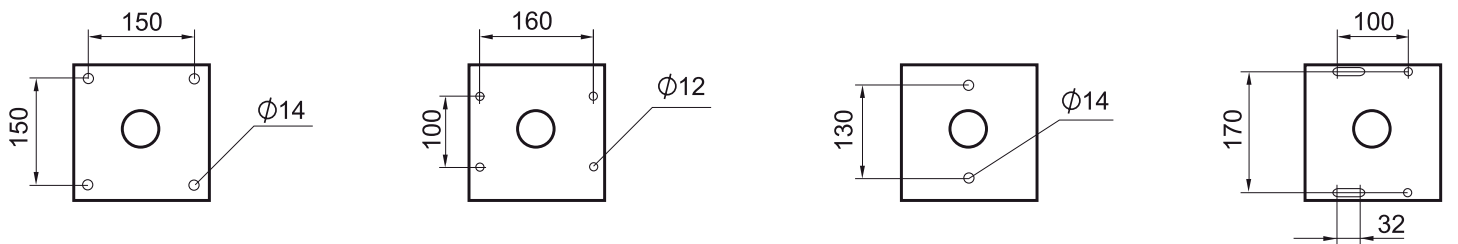
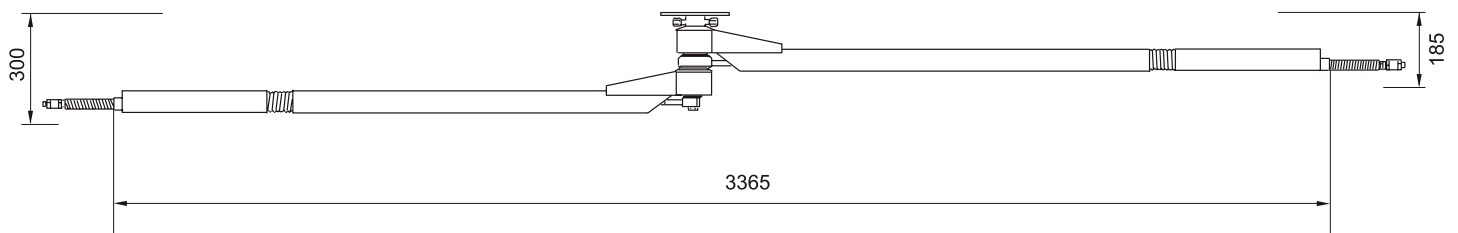
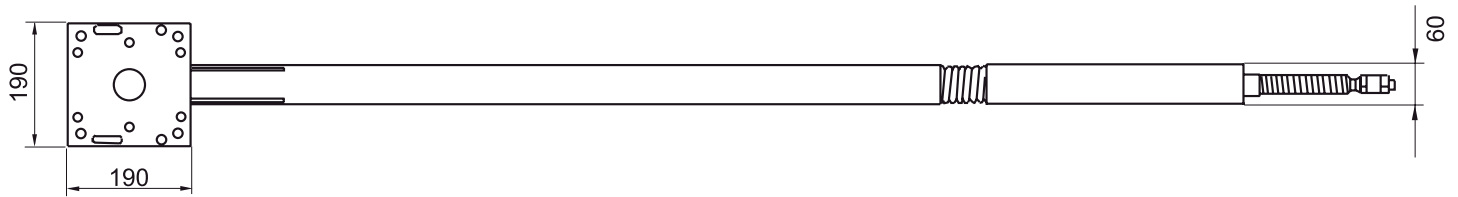
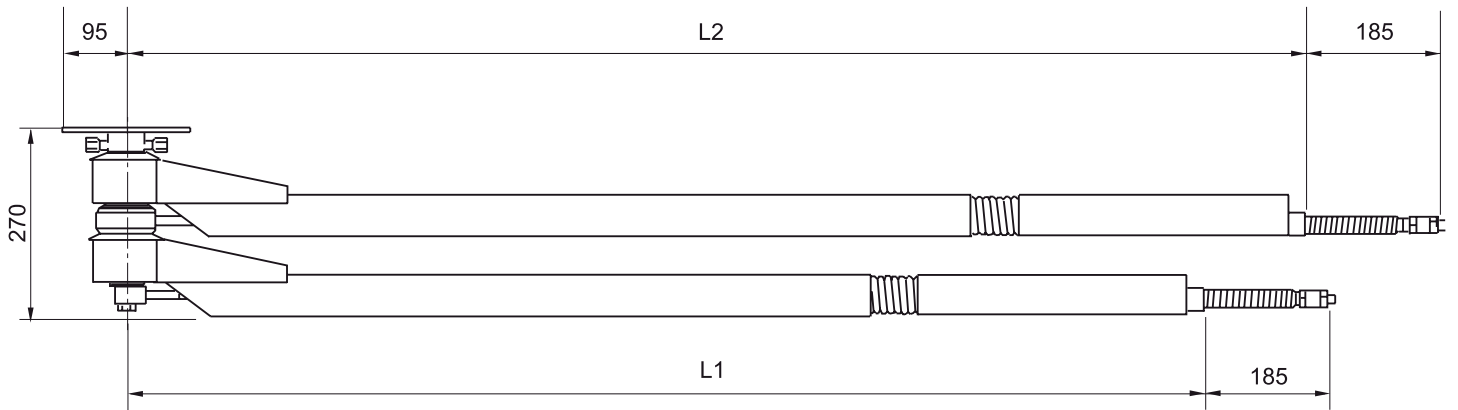
Features

- Ceiling Boom ready for installation
- Integrated easy turning swivels
- Axle with ball bearing
- Stainless Steel
- Electro polished

Mounting plate

Dimensions	190x190mm
Thickness	8mm

Product nr.	Weight	L1	L2
300 021 155	21.5kg	1600mm	1750mm



Product nr.	Weight	L
300 021 156	14kg	1750mm

