



**Fixed Chemical Injectors**  
**200 034 690, 700, 710, 720,**  
**730, 740, 750, 760, 765**

**EasyFoamer**

|                 |            |
|-----------------|------------|
| Mac Flow        | 8L/Min     |
| Nozzle Orifice  | 1.2mm      |
| Max Pressure    | 200BAR     |
| Inlet Port      | 3/8" M     |
| Discharge Port  | 3/8" M     |
| Barb Hose       | 1/4"       |
| Max Temperature | 90°C       |
| Weight          | 240g       |
| Dimensions      | 75x38x80mm |

|                |             |
|----------------|-------------|
| Product nr.    | 200 034 700 |
| Max Flow       | 12L/Min     |
| Nozzle Orifice | 1.5mm       |

|                |             |
|----------------|-------------|
| Product nr.    | 200 034 710 |
| Max Flow       | 17L/Min     |
| Nozzle Orifice | 1.6mm       |

|                |             |
|----------------|-------------|
| Product nr.    | 200 034 720 |
| Max Flow       | 19L/Min     |
| Nozzle Orifice | 1.7mm       |

|                |             |
|----------------|-------------|
| Product nr.    | 200 034 730 |
| Max Flow       | 23L/Min     |
| Nozzle Orifice | 1.9mm       |

|                |             |
|----------------|-------------|
| Product nr.    | 200 034 740 |
| Max Flow       | 28L/Min     |
| Nozzle Orifice | 2.1mm       |

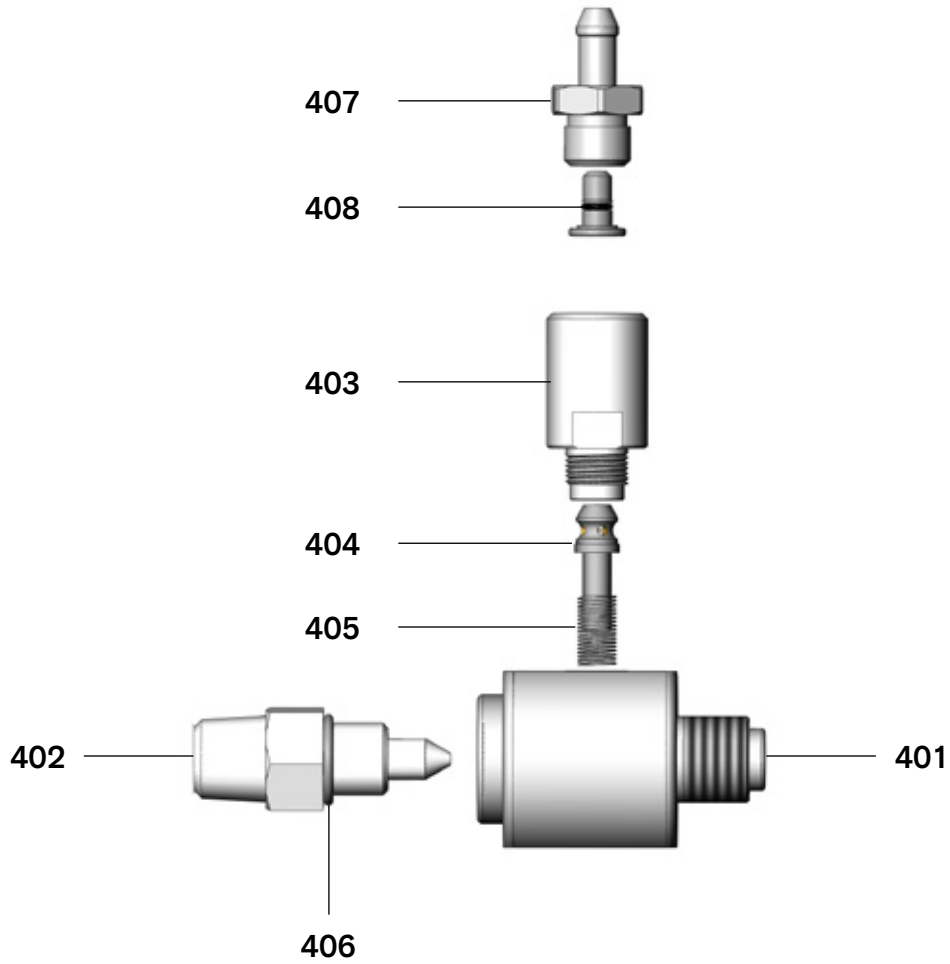
|                |             |
|----------------|-------------|
| Product nr.    | 200 034 750 |
| Max Flow       | 31L/Min     |
| Nozzle Orifice | 2.3mm       |

|                |             |
|----------------|-------------|
| Product nr.    | 200 034 760 |
| Max Flow       | 35/L Min    |
| Nozzle Orifice | 3.1mm       |

|                |             |
|----------------|-------------|
| Product nr.    | 200 034 765 |
| Max Flow       | 35/L Min    |
| Nozzle Orifice | 3.1mm       |
| Inlet Port     | 1/2" M      |
| Outlet Port    | 1/2" M      |

**Features**

- Dosing is set by a restriction in the chemical inlet side. A set of restrictions is delivered with each chemical injector. Dosing can be adjusted by changing the size of the restriction.
- Select a chemical injector that meets the flow requirements of the system.
- Fixed chemical injector should be mounted downstream from the system regulating device.
- Venturi style chemical injector, draws in chemical by pressure drop. Pressure after the injector is lower than inlet pressure. Too much back pressure after the injector causes that the injector won't draw chemical.
- Fit with a dynamic foam lance when used with a foaming chemical.



| Item | Description       | Part nr.    | Quantity |
|------|-------------------|-------------|----------|
| 401  | Housing 1.8mm     | 210 032 533 | 1        |
| 402  | Needle 1.2mm      | 210 032 534 | 1        |
| 403  | Check Valve Body  | 210 032 531 | 1        |
| 404  | Plunger           | 210 032 532 | 1        |
| 405  | Soft Spring       | 210 032 408 | 1        |
| 406  | O-ring 14x1.78    | 510 500 100 | 1        |
| 407  | Hose tail nipple  | 210 034 523 | 1        |
| 408  | Restriction 0.9mm | 210 034 528 | 1        |

| Product nr. | Item | Description   | Part nr.    | Quantity |
|-------------|------|---------------|-------------|----------|
| 200 034 700 | 401  | Housing 2.1mm | 210 032 529 | 1        |
|             | 402  | Needle 1.5mm  | 210 032 530 | 1        |
| 200 034 710 | 401  | Housing 2.1mm | 210 032 529 | 1        |
|             | 402  | Needle 1.6mm  | 210 032 546 | 1        |
| 200 034 720 | 401  | Housing 2.6mm | 210 032 550 | 1        |
|             | 402  | Needle 1.7mm  | 210 032 547 | 1        |
| 200 034 730 | 401  | Housing 2.9mm | 210 032 551 | 1        |
|             | 402  | Needle 1.9mm  | 210 032 548 | 1        |
| 200 034 740 | 401  | Housing 3.1mm | 210 032 543 | 1        |
|             | 402  | Needle 2.1mm  | 210 032 544 | 1        |
| 200 034 750 | 401  | Housing 3.5mm | 210 032 552 | 1        |
|             | 402  | Needle 2.3mm  | 210 032 545 | 1        |
| 200 034 760 | 401  | Housing 4.1mm | 210 032 553 | 1        |
|             | 402  | Needle 3.1mm  | 210 032 549 | 1        |
| 200 034 765 | 401  | Housing 4.1mm | 210 032 555 | 1        |
|             | 402  | Needle 3.1mm  | 210 032 556 | 1        |