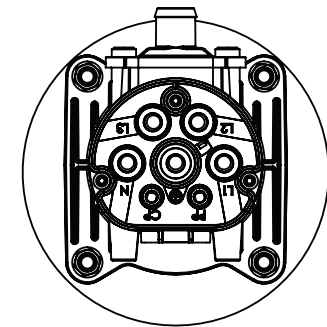
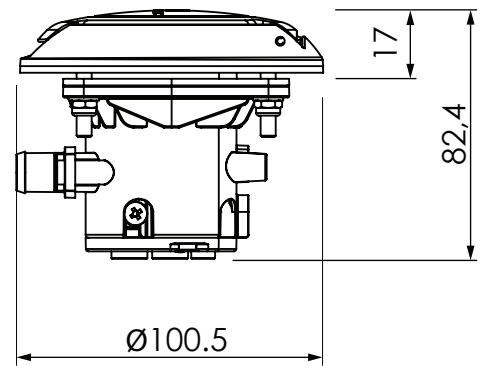
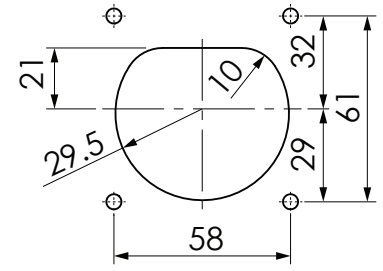


Mounting info



Part nr.	Description	Material
1	Cap	PA GF
2	Sealing pad	EPDM
3	Power housing	PA V0
4	Bottom plate	PA V0

EV OUTLET
P/N 32000
Date: 15-07-2015


www.ratio-electric.com