





GENUINE REAR ROOF SPOILER

INSTALLATION AND USER'S INSTRUCTIONS

Thank you for purchasing a genuine Mazda accessory.
Before removal and installation, be sure to thoroughly read these instructions.
Please read the contents of this booklet in order to properly install and use the rear roof spoiler. Your safety depends on it.
Keep these instructions with your vehicle records for future reference.

WARNING

- There are several  **WARNING** and  **CAUTION** sections in this booklet concerning safety when installing or removing the rear roof spoiler. Always read and follow them in order to prevent injuries, accidents, and possible damage to the vehicle.
 -  **WARNING:** Indicates a situation in which serious injury or death could result if the warning is ignored.
 -  **CAUTION:** Indicates a situation in which bodily injury or damage to the vehicle could result if the caution is ignored.
- For areas indicating the tightening torque in this instruction manual, tighten to the specified torque using a torque wrench. For areas in which the tightening torque is indicated inside parentheses (), the tightening torque is indicated as a reference value, however tightening using a torque wrench is not necessary.
- Do not modify the rear roof spoiler.
- Do not install the rear roof spoiler in any way other than described in the following instructions.
- If in any doubt, please ask your Mazda dealer to install the accessory in order to prevent errors in installation.
- If you have any questions about the use of the accessory, ask your Mazda dealer for proper advice before using it.
- Mazda and its suppliers are not responsible for injuries, accidents, and damage to persons and property that arise from the failure of the dealer or installer to follow these instructions.
- To ensure safety and reliability of the work, installation, removal and disposal work must be carried out by an Authorized Mazda Dealership.
- Be careful not to lose removed parts, and be sure that they are kept free from scratches, grease or other dirt.

PART NAME: REAR ROOF SPOILER
PART NUMBER: GHP9 V4 920
VEHICLE: MAZDA6

NOTE

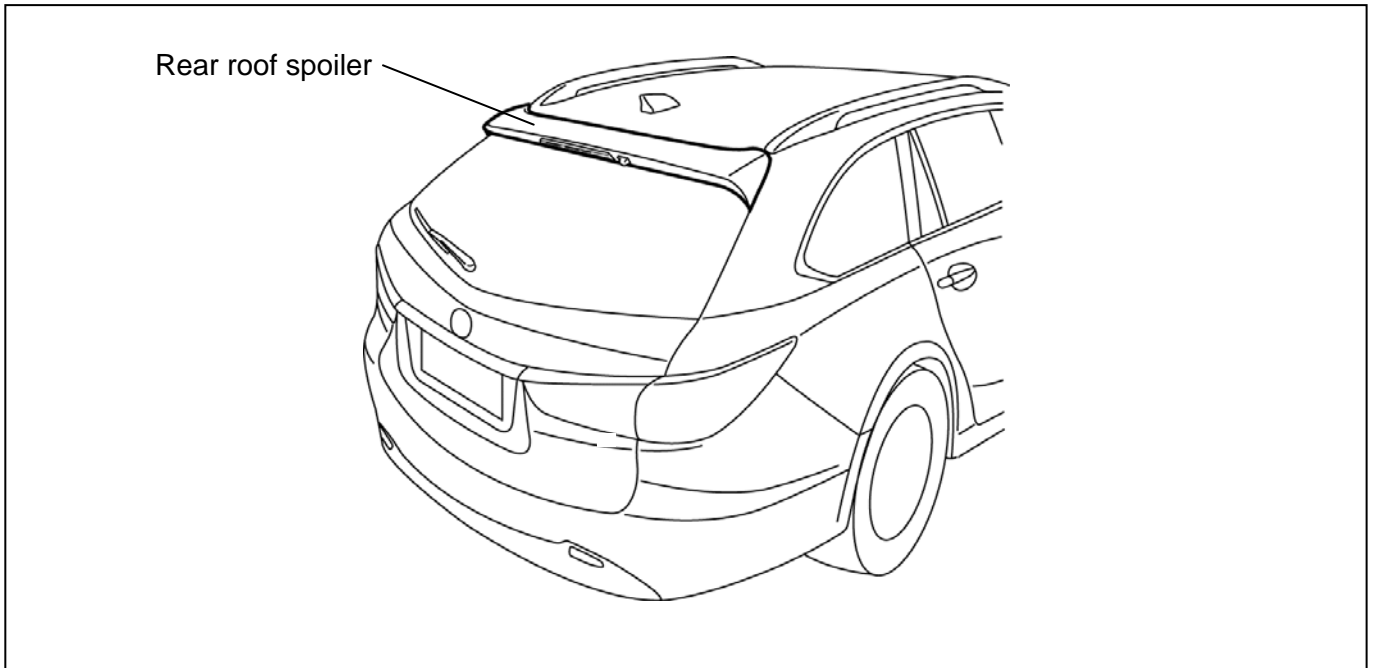
To the dealer

- Please turn over these instructions to the customer after installation.

To the customer




- Keep these instructions after installation. The instructions may be necessary for installing other optional parts or removal of this accessory.
- Should the vehicle or this accessory be resold, always leave these instructions with it for the next owner.

1. INSTALLATION VIEW



2. PARTS

- Before installation, verify that the kit includes all the following parts and that they are free of dirt, scratches, or damage.

Part	Part name	Qty	Part	名称	Qty	Part	Part name	Qty
	Rear roof spoiler	1		Installation instructions	6		Multi language installation manual	1

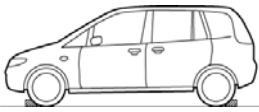
3. BEFORE INSTALLATION

■ REQUIRED TOOLS

☆ Flathead screwdriver ☆ Socket wrench (10mm) ☆ Fastener remover ☆ Torque wrench

⚠ WARNING

Park the vehicle on a flat, level surface, set the selector lever to P (AT vehicles) or the shift lever to 1st or R (MT vehicles), apply the parking brake and block the wheels so that the vehicle does not move during installation.



⚠ CAUTION

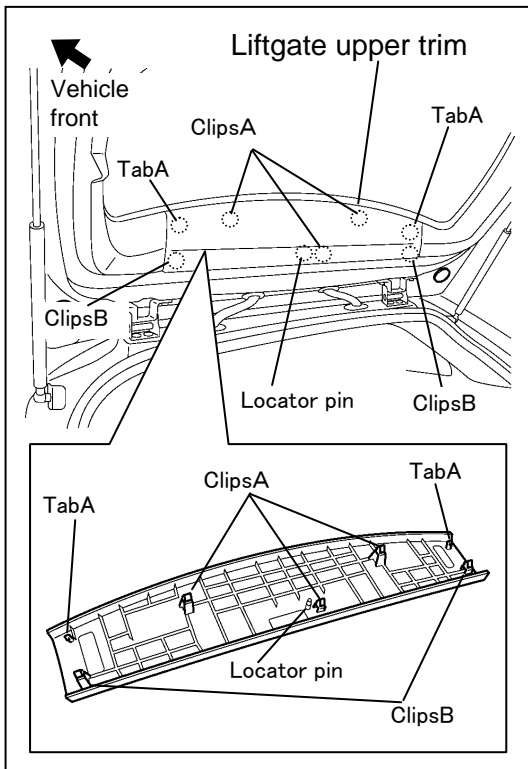
<p>Be sure to cover the vehicle body with protectors or mats to prevent stains, scratches and damage when removing/installing the vehicle parts</p>	<p>Using improper tools may cause damage and or broken parts. Use the correct tool for the job.</p>	<p>Wrap protective tape around screwdrivers and fastener remover tools to prevent scratching the vehicle.</p>	<p>Put the removed parts and the parts in the kit on the protective sheet to prevent scratches.</p>

Advice

Refer to the Workshop Manual for removal and installation of vehicle parts.
Not following the procedures for removal/installation in the Workshop Manual could result in an accident or vehicle malfunction.

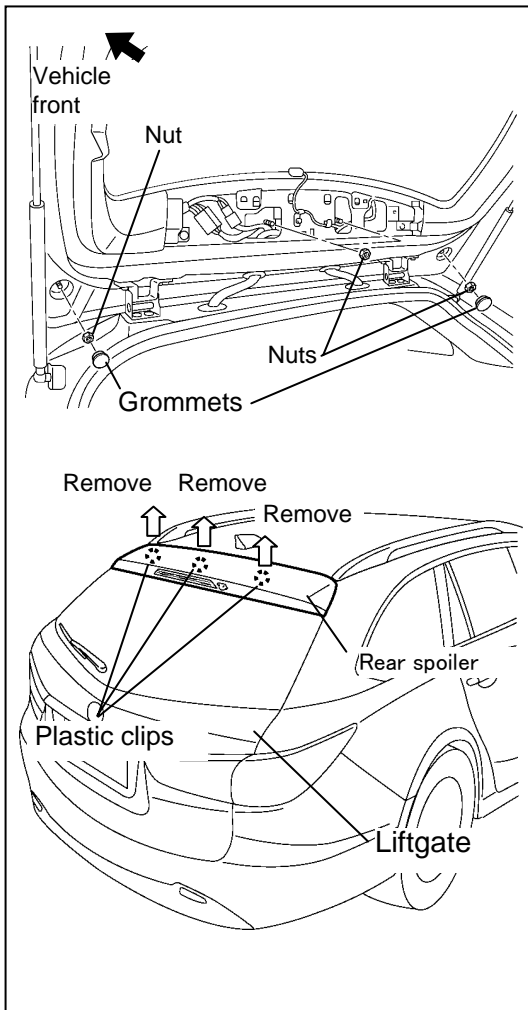


4. VEHICLE PART REMOVAL



Liftgate upper trim removal

1. Pull the ends of the liftgate upper trim outward, and then remove tabs A (2 locations) and clips B (2 locations).
2. Pull the middle of the liftgate upper trim outward, remove clips A (3 locations) and locator pin C (1 location), and then remove the liftgate upper trim.



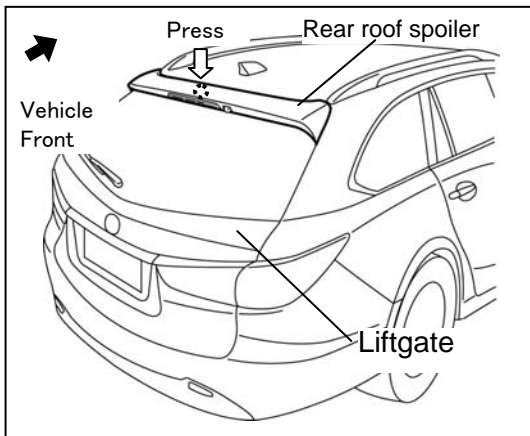
Rear spoiler removal

1. Remove the grommets (2) and nuts (4) from the back side of the liftgate.

- The removed nuts are reused.

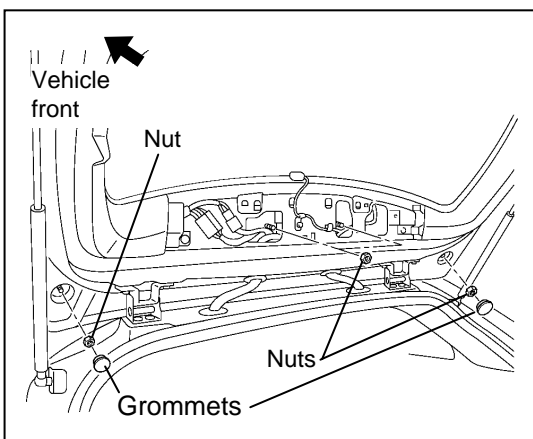
2. Remove the plastic clips (3 locations) on the rear spoiler from the grommets (3 locations) and remove the rear spoiler.
3. The middle of the grommet remaining on the liftgate is reused.
4. The grommets of both ends installed as they are.

5. INSTALLATION OF THE REAR ROOF SPOILER



1. Holding both ends of the rear roof spoiler, align the rear roof spoiler lightly with the liftgate installation holes.
2. Press in the plastic clips (1 locations) from the surface of the rear roof spoiler and install them to the liftgate.

- Press the rear roof spoiler in gently. If it is pushed in with excessive force, the resin clip could be damaged.



3. Fully tighten the rear roof spoiler using the nuts (4).

Nut tightening torque: 6.8-9.8 Nm

4. Install the grommets.
5. Install the liftgate upper trim in the reverse order of removal.

6. To the customer

Heed the following cautions when handling (maintenance) the rear roof spoiler.

- If gasoline, oil, engine coolant, or battery fluid adheres to the hard plastic parts, it will cause discoloration, stains, or damage. Wipe off immediately with a soft cloth.
- Depending on the type of high pressure car washer used, the water for washing may be high temperature and/or under high pressure. Be careful when using pressurized water from a car washer nozzle. If the nozzle is too close or water pressure is applied for long periods, it may cause deformation or damage to the hard plastic parts.
- Do not use car wax containing compound (polishing powder). Otherwise, the hard plastic parts could be damaged.
- Do not use electric or air tools to apply wax or compound (polishing powder). Otherwise, friction heat will be generated causing deformation or damage to the hard plastic parts.

Date _____, _____, _____				
VIN _____				
Approved		Checked		Person in charge

INSTALLATION INSPECTION SHEET	MAZDA6	Rear roof spoiler
		GHP9 V4 920

Perform the following inspections

1. Inspection items after installation

Check

- Verify the fitting between the vehicle part and the installed part, and inspect for damage or dirt.

Check

- When connecting connectors, verify the connection again to prevent poor connection or miss-connection. (Insert two times.)

2. Vehicle parts reinstallation

Inspected part	Inspection item	Inspection	Check
Liftgate upper trim	Rattling	Due to the increased change in the number of metal fasteners, inspect the trim for looseness or drop off.	

3. Installation of accessory, operation check

Inspected part	Inspection item	Inspection (interior/exterior part)	Check
Rear roof spoiler installation	Looseness	Inspect the installation area for looseness.	

The term of validity for this sheet : 3 year