





GENUINE WHEEL DECAL

INSTALLATION AND USER'S INSTRUCTIONS

Thank you for purchasing a Genuine Mazda Accessory.
Before removal and installation, be sure to thoroughly read these instructions.
Please read the contents of this booklet to properly install and use the wheel decal.
Your safety depends on it.
Keep these instructions with your vehicle records for future reference.

WARNING

- There are several  **WARNING** and  **CAUTION** sections in this booklet concerning safety when installing or removing the wheel decal. Always read and follow the instructions in order to prevent injuries, accidents, and possible damage to the vehicle.
 -  **WARNING:** Indicates a situation in which serious injury or death could result if the warning is ignored.
 -  **CAUTION:** Indicates a situation in which bodily injury or damage to the vehicle could result if the caution is ignored.
- For areas indicating the tightening torque in this instruction manual, tighten to the specified torque using a torque wrench. For areas in which the tightening torque is indicated inside parentheses (), the tightening torque is indicated as a reference value, however tightening using a torque wrench is not necessary
- Do not modify the wheel decal.
- Do not install the wheel decal in any way other than described in the following instructions.
- If in doubt, please contact your Mazda dealer to install the accessory in order to prevent errors in installation.
- If you have any questions about the use of the accessory, ask your Mazda dealer for proper advice before using it.
- Mazda and its suppliers are not responsible for injuries, accidents, and damage to persons and property that arise from the failure of the dealer or installer to follow these instructions.
- To ensure safety and reliability of the work, installation, removal and disposal work must be carried out by an Authorized Mazda Dealership.
- Be careful not to lose removed parts, and be sure that they are kept free of dirt, scratches, or damage.

PART NAME: WHEEL DECAL
PART NUMBER: DA6C V3 030
VEHICLE: MAZDA2

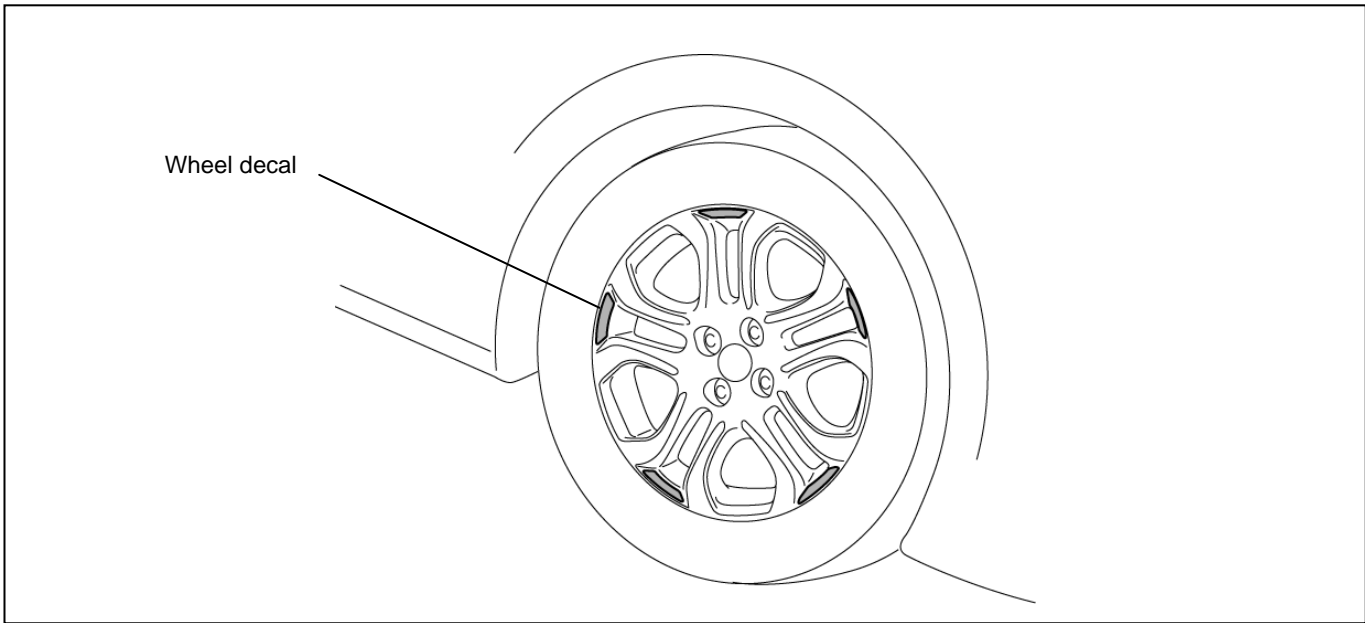
To the dealer

- Please give these instructions to the customer after installation.

To the customer



- Keep these instructions after installation. The instructions may be necessary for installing other optional parts or removal of this accessory.
- Should the vehicle or this accessory be resold, always give these instructions to the next owner.

1. INSTALLATION VIEW



2. PARTS

- Before installation, verify that the kit includes all the following parts and that they are free of dirt, scratches, or damage.

Part	Part name	Qty	Part	Part name	Qty
	Wheel decal	20		Installation and user's instructions	1

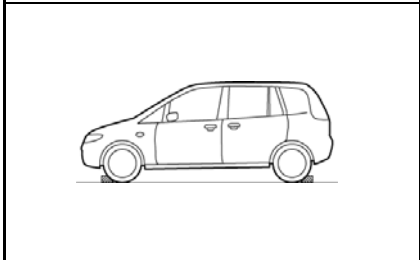
3. BEFORE INSTALLATION

Required tool

- ☆ Squeegee

Warning

Park the vehicle on a flat, level surface, set the selector lever to P (AT vehicles) or the shift lever to 1st or R (MT vehicles), apply the parking brake and block the wheels so that the vehicle does not move during installation.

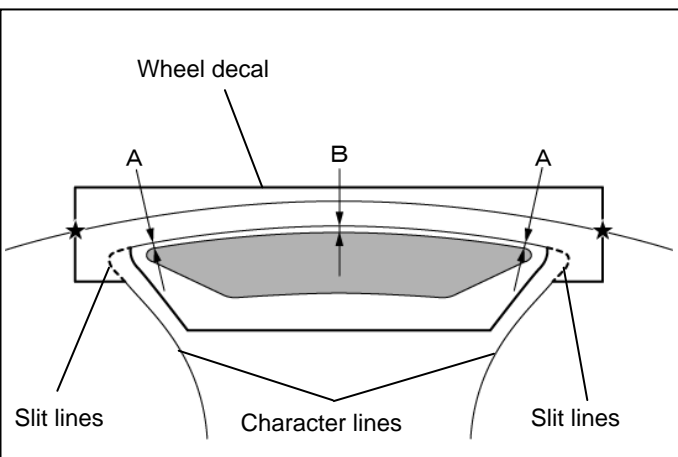
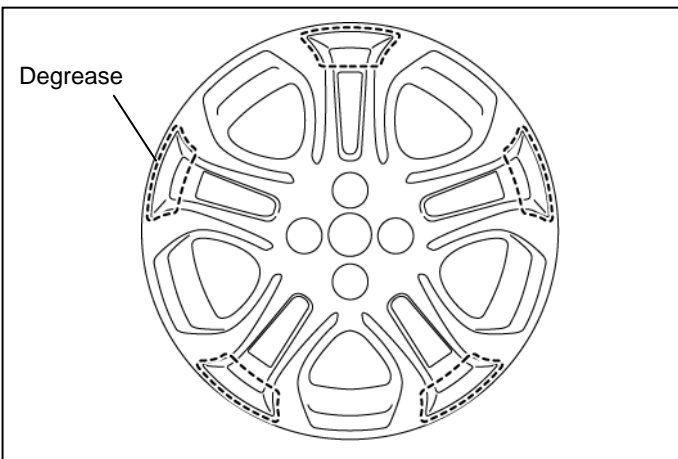
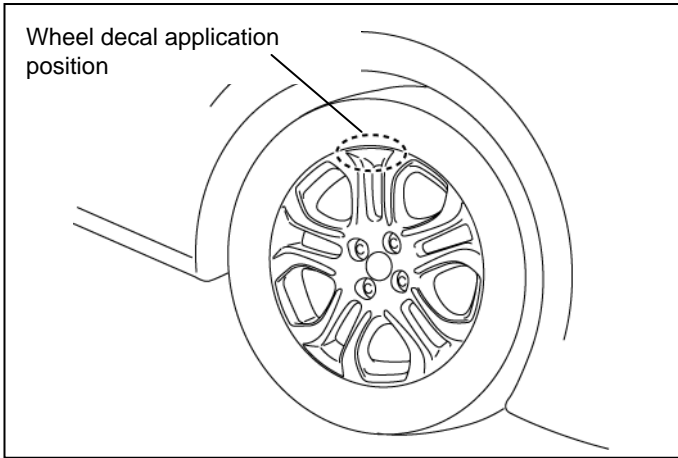


Caution

If dirt or grease is left on the application surface it will stick to the double-sided adhesive tape and decrease the tape's adhesive strength. Clean the application surface before applying the tape. Use mild detergent for the interior, and Isopropyl alcohol (IPA) for the exterior.



4. WHEEL DECAL APPLICATION



■ Before application

1. Turn the aluminum wheel so that the application position of the wheel decal is at the top.

2. Degrease the wheel decal application surface using isopropyl alcohol (IPA).

If dirt or grease is left on the application surface, it will decrease the adhesive strength. Completely degrease, otherwise, the wheel decal may peel off.

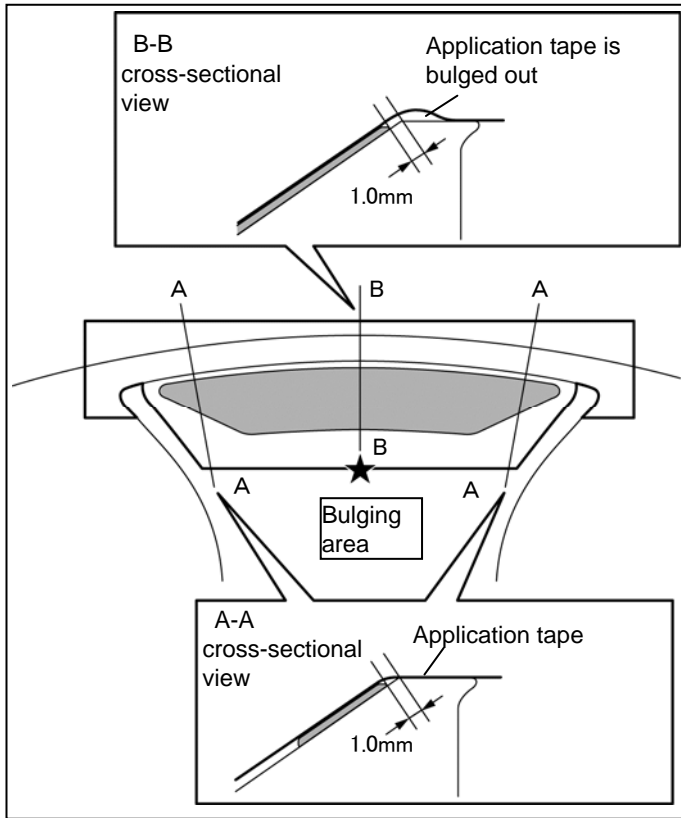
■ Application instructions

1. Peel off the tape backings.
2. Hold the locations indicated by the stars, align the slit lines of the wheel decal with the character lines of the aluminum wheel, and adhere the application tape to the general surface of the aluminum wheel.
3. Verify that the gaps between the character lines of the aluminum wheel and the wheel decal are the following dimensions.

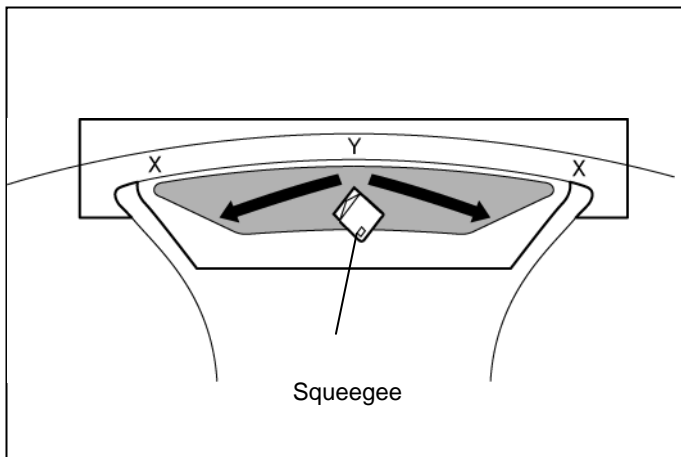
-A part: 1.0mm

-B part: 1.5mm

4. Verify that the wheel decal is even on both sides.



5. Hold the location indicated by the star, lightly flatten out the bulging area, and verify that the application tape is as shown in the figure. (A-A cross-sectional view, B-B cross-sectional view)



6. Lightly press parts X on both sides first, and then lightly press part Y in the center.
7. Slowly press the areas in the direction of the arrows using a squeegee.
8. After verifying that there is no area left unadhered, peel off the application tape.
9. Adhere all of the wheel decals using the same procedure.

Make sure to adhere all of the decals.

5. AFTER APPLICATION

Verify that all of the wheel decals are firmly pressed to the aluminum wheel.

Do not reuse a wheel decal. Once a wheel decal has been adhered and peeled off, the adhesive strength will be weakened.

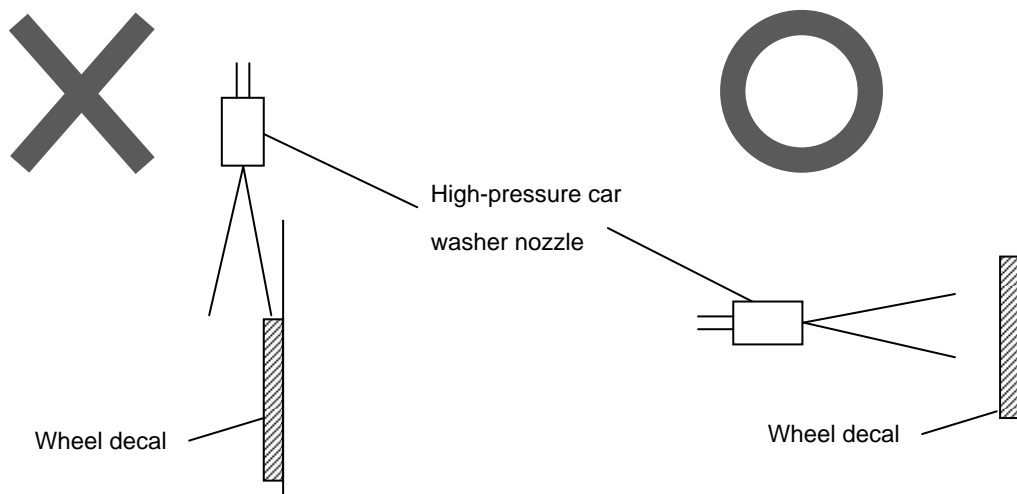
6. TO THE CUSTOMER

<CAUTION AND NOTE>

- If you have any questions about the usage of this accessory, contact the Mazda dealer where the accessory was purchased.
- Please keep these instructions so that they are available for future use.

<VERIFICATION AND CAUTIONS REGARDING USE>

- When using a high-pressure car washer, do not aim it at the wheel decal edge. If high water pressure is applied to the edge, the wheel decal may peel off.



- Be careful not to apply organic solvents to the wheel decal surface.
- Do not brush the wheel decal application surface using a hard brush. The wheel decal may be damaged.