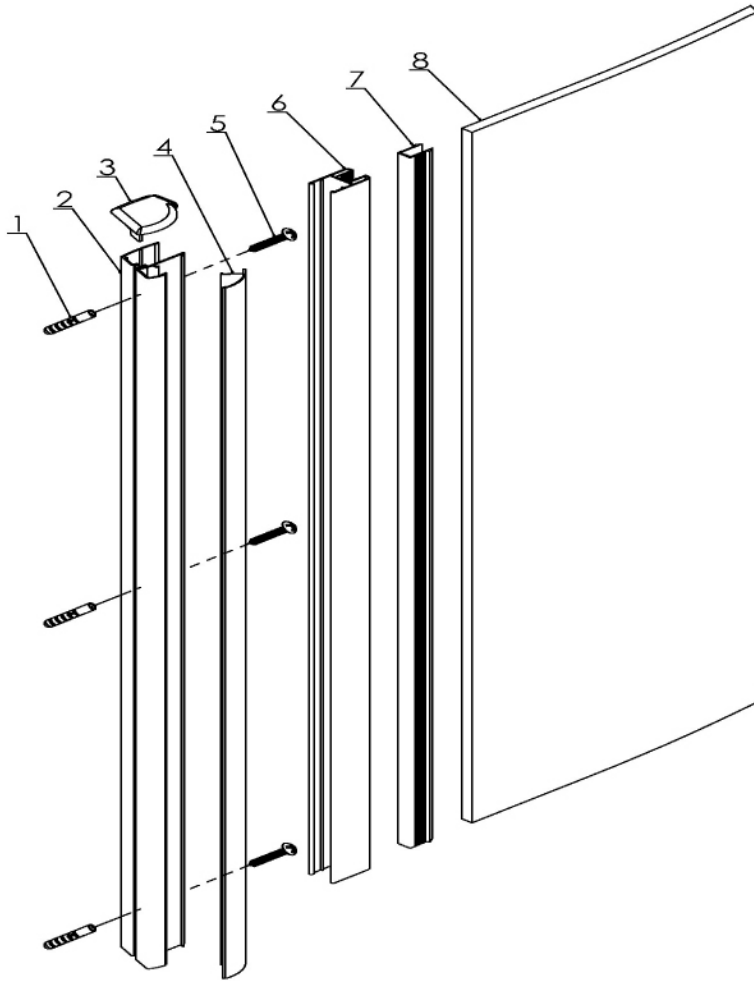


Assembly Instructions

Tempered glass side panel

Model Range SPT 10mm



Part List

1	Wall Plugs	6
2	Surface mount aluminium wall profile	1
3	Chromed plastic end cap	2
4	Aluminium screw cover	1
5	30mm screws	6
6	Vertical aluminium profile	1

7	Plastic U seal	1
8	Toughened Safety glass	1
9	15mm screws	4
10	8mm masonry drill	1
11	3mm metal drill	1

We recommend that installation is carried out by a fully qualified competent team of installers.

Essential tools required to complete the installation (Not supplied)

Hammer drill, Pozidrive screwdriver No2 and No1, Flatblade screwdriver med and small, Rubber mallet, Bathroom or sanitary grade silicone sealant, Spirit Level, a metric tape measure, a Pencil and scissors and a helpful assistant!.

Prior to assembly

These instructions are for your safety and to help with the correct assembly and installation of the unit.

Check this is the unit you ordered ensure it is the correct size and hand. The adjustment range is shown on the carton label if you are unsure please call our helpline.

Check the parts against the parts list and the contents of the fittings box against the fittings list. Do not attempt installation if parts are missing.

Check the parts and fittings for damage. Do not attempt installation if parts are damaged.

It is recommended that the enclosure is not fitted to walls which are more than 10mm out of true.

When handling tempered safety glass care must be taken to ensure it is not knocked or damaged. It is safer to store the glass vertically (not horizontally) leant against a solid structure resting on a suitable surface such as cardboard or carpet.

The screen must be fitted to walls that are sound and waterproof.

Use a high quality bathroom or sanitary grade silicone sealant to achieve the best results.

The fixings and masonry drills supplied are for solid walls such as brick or stone. If you are attempting to install this unit to any other type of wall use suitable fixings and if necessary seek professional advice.

Assembly

1. Install the shower tray in the desired position and connect the waste outlet pipes. It is a good idea to install the shower tray according to the manufacturers instructions to ensure it drains correctly and provides a level and stable base for the enclosure. The enclosures are designed to fit on to standard UK shower bases. However we only recommend these enclosures are installed on the dedicated Traditional and Contemporary shower tray as per our brochure. Due to the many and varied installation techniques commonly in use please ensure the enclosure will fit the tray **prior** to installation . The size and range of adjustment is shown on the label of the carton.

Two wall profiles are supplied one is designed to be hidden and fitted before the tiles are installed and one is for surface mounting after the wall has had a suitable waterproof finish applied such as tiles.

2. Fit the hidden wall profile to the wall using the 8mm drill, wall plugs and screws supplied. The wall profile must be fixed vertically. The wall profile is then filled with silicone sealant in the back section leaving the outer sections empty to allow space for the excess sealant to escape and remain unseen within the profile. The glass screen is then pushed into the wall profile and held firmly in position until the silicone has fully cured usually 24 hours.
3. Fit the surface mounting wall profile to the wall using the 8mm drill, wall plugs and 4 x

SPT

30mm screws supplied. The wall profile must be fixed vertically. The glass is then fixed into the vertical profile using the flat sealing strip from the front between the glass and the frame. The glass with frame is then fitted to the wall profile using the 3mm drill and 3 x 15mm screws.

4. The screen should also be sealed to the shower tray along the lower edge with a suitable silicone sealant and this should also be allowed 24 hours to dry.

Care and use

This screen is made from tempered safety glass. Do not use aggressive cleaning compounds such as scouring powders, cream cleaners, bleaches or solvent based products. Simple soap and warm water is the best cleaning solution.