

# SILVERLINE®

## DIY 1200W Circular Saw 185mm

UK - 845135 / EU - 932499

**FR** Scie circulaire 185 mm, 1 200 W

**DE** Kreissäge, 1200 W, 185 mm

**ES** Sierra circular 185 mm, 1200 W

**IT** Sega circolare da 185 mm -1200 W

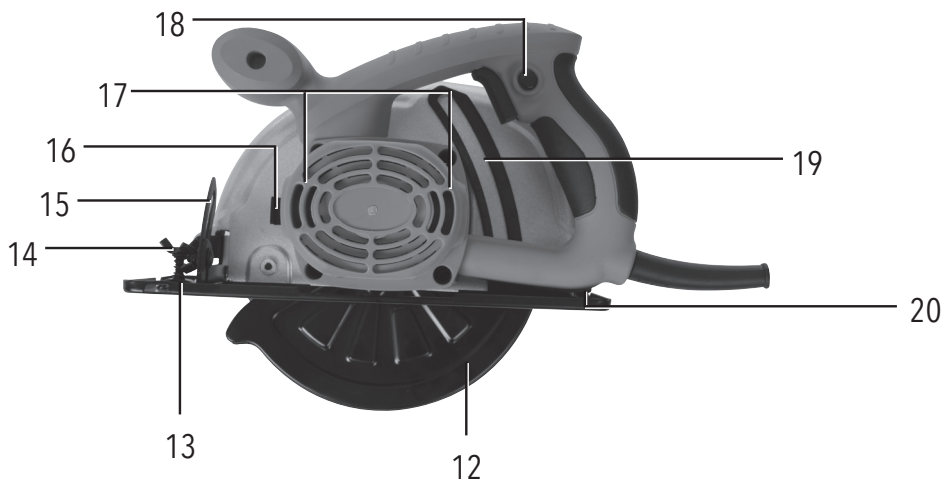
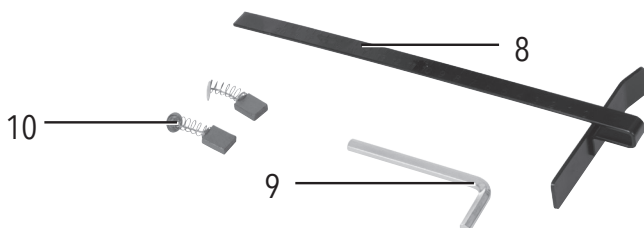
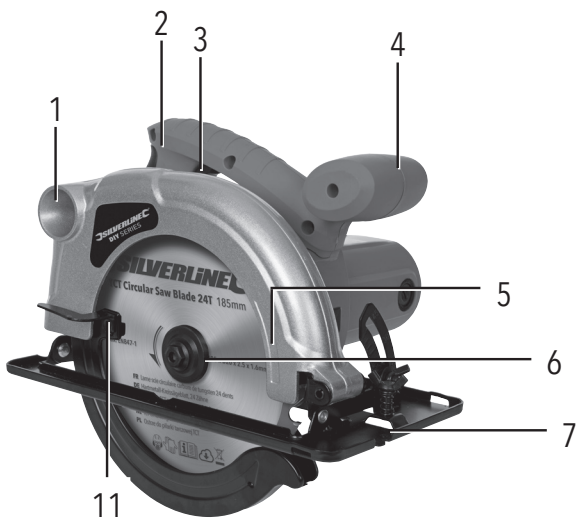
**NL** Doe-het-zelf 1200 W cirkelzaag, 185 mm

**PL** Ręczna pilarka tarczowa 1200 W, 185 mm



Register online: [silverlinetools.com](http://silverlinetools.com)





<b>English .....</b>	<b>4</b>
<b>Français .....</b>	<b>10</b>
<b>Deutsch.....</b>	<b>16</b>
<b>Español.....</b>	<b>22</b>
<b>Italiano .....</b>	<b>28</b>
<b>Nederlands .....</b>	<b>34</b>
<b>Polski .....</b>	<b>40</b>

## Introduction

Thank you for purchasing this Silverline tool. This manual contains information necessary for safe and effective operation of this product. This product has unique features and, even if you are familiar with similar products, it is necessary to read this manual carefully to ensure you fully understand the instructions. Ensure all users of the tool read and fully understand this manual.

## Description of Symbols

The rating plate on your tool may show symbols. These represent important information about the product or instructions on its use.



Wear hearing protection.  
Wear eye protection.  
Wear breathing protection.  
Wear head protection.



Wear hand protection.



Read instruction manual.



### Environmental Protection

Waste electrical products should not be disposed of with household waste. Please recycle where facilities exist. Check with your local authority or retailer for recycling advice.



Conforms to relevant legislation and safety standards.



Class II construction (double insulated for additional protection)



Caution!

## Technical Abbreviations Key

V	Volts
~	Alternating current
A	Ampere
$n_0$	No load speed
Hz	Hertz
W, kW	Watt, kilowatt
/min or min <sup>-1</sup>	(revolutions or reciprocation) per minute

## Specification

Voltage: .....	230V~50Hz
Power: .....	1200W
No load speed: .....	5500min <sup>-1</sup>
Blade diameter: .....	185mm
Bore diameter: .....	20mm
Supplied blade: .....	∅185 x ∅20 x 2.5mm x 24T
Max depth of cut: .....	63mm (90°)
.....	43mm (45°)
Bevel range: .....	0-45°
Ingress protection: .....	IP20
Protection class: .....	□
Dimensions (L x W x H): .....	330 x 240 x 250mm
Weight: .....	3.75kg

As part of our ongoing product development, specifications of Silverline products may alter without notice.

### Sound and vibration information:

Sound pressure $L_{pA}$ : .....	91dB(A)
Sound power $L_{WA}$ : .....	102dB(A)
Uncertainty K: .....	3dB(A)
Weighted vibration $a_{hV}$ : .....	ah (main handle) 3.14m/s <sup>2</sup>
Uncertainty K: .....	1.5m/s <sup>2</sup>

The sound intensity level for the operator may exceed 85dB(A) and sound protection measures are necessary.

As part of our ongoing product development, specifications of Silverline products may alter without notice.

The sound intensity level for the operator may exceed 85dB(A) and sound protection measures are necessary.

**WARNING:** Always wear ear protection where the sound level exceeds 85dB(A) and limit the time of exposure if necessary. If sound levels are uncomfortable, even with ear protection, stop using the tool immediately and check the ear protection is correctly fitted and provides the correct level of sound attenuation for the level of sound produced by your tool.

**WARNING:** User exposure to tool vibration can result in loss of sense of touch, numbness, tingling and reduced ability to grip. Long term exposure can lead to a chronic condition. If necessary, limit the length of time exposed to vibration and use anti-vibration gloves. Do not operate the tool with hands below a normal comfortable temperature, as vibration will have a greater effect. Use the figures provided in the specification relating to vibration to calculate the duration and frequency of operating the tool.

Sound and vibration levels in the specification are determined according to international standards. The figures represent normal use for the tool in normal working conditions. A poorly maintained, incorrectly assembled, or misused tool, may produce increased levels of noise and vibration. [www.osha.europa.eu](http://www.osha.europa.eu) provides information on sound and vibration levels in the workplace that may be useful to domestic users who use tools for long periods of time.

## General Safety

**WARNING** Read all safety warnings and all instructions. Failure to follow the warnings and instructions may result in electric shock, fire and/or serious injury.

**WARNING:** This appliance is not intended for use by persons (including children) with reduced, physical or mental capabilities or lack of experience or knowledge unless they have been given supervision or instruction concerning use of the appliance by a person responsible for their safety. Children must be supervised to ensure that they do not play with the appliance.

Save all warnings and instructions for future reference.

The term "power tool" in the warnings refers to your mains-operated (corded) power tool or battery-operated (cordless) power tool.

### 1) Work area safety

- Keep work area clean and well lit.** Cluttered or dark areas invite accidents.
- Do not operate power tools in explosive atmospheres, such as in the presence of flammable liquids, gases or dust.** Power tools create sparks which may ignite the dust or fumes.
- Keep children and bystanders away while operating a power tool.** Distractions can cause you to lose control.

### 2) Electrical safety

- Power tool plugs must match the outlet. Never modify the plug in any way. Do not use any adapter plugs with earthed (grounded) power tools.** Unmodified plugs and matching outlets will reduce the risk of electric shock.
- Avoid body contact with earthed or grounded surfaces, such as pipes, radiators, ranges and refrigerators.** There is an increased risk of electric shock if your body is earthed or grounded.
- Do not expose power tools to rain or wet conditions.** Water entering a power tool will increase the risk of electric shock.
- Do not abuse the cord. Never use the cord for carrying, pulling or unplugging the power tool. Keep cord away from heat, oil, sharp edges or moving parts.** Damaged or entangled cords increase the risk of electric shock.
- When operating a power tool outdoors, use an extension cord suitable for outdoor use.** Use of a cord suitable for outdoor use reduces the risk of electric shock.
- If operating a power tool in a damp location is unavoidable, use a residual current device (RCD) protected supply.** Use of an RCD reduces the risk of electric shock.

### 3) Personal safety

- Stay alert, watch what you are doing and use common sense when operating a power tool. Do not use a power tool while you are tired or under the influence of drugs, alcohol or medication.** A moment of inattention while operating power tools may result in serious personal injury.
- Use personal protective equipment. Always wear eye protection.** Protective equipment such as dust mask, non-skid safety shoes, hard hat, or hearing protection used for appropriate conditions will reduce personal injuries.
- Prevent unintentional starting. Ensure the switch is in the off position before connecting to power source and/or battery pack, picking up or carrying the tool.** Carrying power tools with your finger on the switch or energising power tools that have the switch on invites accidents.
- Remove any adjusting key or wrench before turning the power tool on.** A wrench or a key left attached to a rotating part of the power tool may result in personal injury.
- Do not overreach. Keep proper footing and balance at all times.** This enables better control of the power tool in unexpected situations.
- Dress properly. Do not wear loose clothing or jewellery. Keep your hair, clothing and gloves away from moving parts.** Loose clothes, jewellery or long hair can be caught in moving parts.
- If devices are provided for the connection of dust extraction and collection facilities, ensure these are connected and properly used.** Use of dust collection can reduce dust-related hazards.

### 4) Power tool use and care

- Do not force the power tool. Use the correct power tool for your application.** The correct power tool will do the job better and safer at the rate for which it was designed.
- Do not use the power tool if the switch does not turn it on and off.** Any power tool that cannot be controlled with the switch is dangerous and must be repaired.
- Disconnect the plug from the power source and/or the battery pack from the power tool before making any adjustments, changing accessories, or storing power tools.** Such preventive safety measures reduce the risk of starting the power tool accidentally.
- Store idle power tools out of the reach of children and do not allow persons unfamiliar with the power tool or these instructions to operate the power tool.** Power tools are dangerous in the hands of untrained users.
- Maintain power tools. Check for misalignment or binding of moving parts, breakage of parts and any other condition that may affect the power tool's operation. If damaged, have the power tool repaired before use.** Many accidents are caused by poorly maintained power tools.
- Keep cutting tools sharp and clean.** Properly maintained cutting tools with sharp cutting edges are less likely to bind and are easier to control.
- Use the power tool, accessories and tool bits etc. in accordance with these instructions, taking into account the working conditions and the work to be performed.** Use of the power tool for operations different from those intended could result in a hazardous situation.

**WARNING:** When used in Australia or New Zealand, it is recommended that this tool is ALWAYS

supplied via Residual Current Device (RCD) with a rated residual current of 30mA or less.

### 5) Service

- Have your power tool serviced by a qualified repair person using only identical replacement parts.** This will ensure that the safety of the power tool is maintained.

## Kickback Prevention and Operator Safety

- kickback is a sudden reaction to a pinched, bound or misaligned saw blade, causing an uncontrolled saw to lift up and out of the workpiece toward the operator;
- when the blade is pinched or bound tightly by the kerf closing down, the blade stalls and the motor reaction drives the unit rapidly back toward the operator;
- if the blade becomes twisted or misaligned in the cut, the teeth at the back edge of the blade can dig into the top surface of the wood causing the blade to climb out of the kerf and jump back toward the operator

Kickback is the result of saw misuse and/or incorrect operating procedures or conditions and can be avoided by taking precautions as follows:

- Maintain a firm grip with both hands on the saw and position your arms to resist kickback forces. Position your body to either side of the blade, but not in line with the blade.** Kickback could cause the saw to jump backwards, but kickback forces can be controlled by the operator, if proper precautions are taken.

**Note:** For circular saws with 140 mm or smaller diameter blades, the words "with both hands" may be omitted.

- When the blade is binding, or when interrupting a cut for any reason, release the trigger and hold the saw motionless in the material until the blade comes to a complete stop. Never attempt to remove the saw from the work or pull the saw backward while the blade is in motion or kickback may occur.** Investigate and take corrective actions to eliminate the cause of blade binding.
- When restarting a saw in the workpiece, centre the saw blade in the kerf and check that the saw teeth are not engaged into the material.** If saw blade is binding, it may walk up or kickback from the workpiece as the saw is restarted.
- Support large panels to minimise the risk of blade pinching and kickback.** Large panels tend to sag under their own weight. Supports must be placed under the panel on both sides, near the line of cut and near the edge of the panel
- Do not use dull or damaged blades.** Unsharpened or improperly set blades produce narrow kerf causing excessive friction, blade binding and kickback.
- Blade depth and bevel adjusting locking levers must be tight and secure before making a cut.** If blade adjustment sticks while cutting, it may cause binding and kickback.
- Use extra caution when sawing into existing walls or other blind areas.** The protruding blade may cut objects that can cause kickback.
- Check the lower guard before each use and do not use if it does not close freely, ensuring that the blade does not touch any part of the guard or tool in all angles and depths of cut. Never clamp or tie the lower guard in the open position.
- Check the operation of the lower guard spring. If the guard and the spring are not operating correctly, they must be serviced before use. The lower guard may operate sluggishly due to damaged parts, gummy deposits, or a build-up of debris.
- The lower guard should be retracted manually only for special cuts such as 'plunge cuts' and 'compound cuts'. Raise the lower guard by the retracting handle and as soon as the blade enters the material, the lower guard must be released. For all other sawing, the lower guard should operate automatically.
- Ensure that the lower guard is covering the blade before placing the saw down. An unprotected, coasting blade will cause the saw to 'propel backwards', cutting whatever is in its path. Be aware of the time it takes for the blade to stop after the switch is released. Do not use abrasive wheels, doing so will void the warranty.
- If a circular saw features a riving knife it must be removed before plunge cutting. A riving knife will interfere with a plunge cut causing kickback. The riving knife must always be re-fitted after plunge cutting. A circular saw with a permanent, non-removable riving knife is NOT suitable for plunge cutting.

## Circular Saw Safety

**WARNING:** Before connecting a tool to a power source (mains switch power point receptacle, outlet, etc.) be sure that the voltage supply is the same as that specified on the nameplate of the tool. A power source with a voltage greater than that specified for the tool can result in serious injury to the user, and damage to the tool. If in doubt, do not plug in the tool. Using a power source with a voltage less than the nameplate rating is harmful to the motor.

**⚠ DANGER: Keep hands away from cutting area and the blade. Keep your second hand on the auxiliary, or motor housing.** If both hands are holding the saw, they cannot be cut by the blade.

**Note:** For circular saws with 140 mm or smaller diameter blades, the "keep your second hand on auxiliary handle, or motor housing" may be omitted.

**Do not reach underneath the workpiece.** The guard cannot protect you from the blade below the workpiece.

**Adjust the cutting depth to the thickness of the workpiece.** Less than a full tooth of the blade teeth should be visible below the workpiece.

**Never hold piece being cut in your hands or across your leg. Secure the workpiece to a stable platform.** It is important to support the work properly to minimise body exposure, blade binding, or loss of control.

**Hold the power tool by insulated gripping surfaces only, when performing an operation where the cutting tool may contact hidden wiring or its own cord.** Contact with a "live" wire will also make exposed metal parts of the power tool "live" and could give the operator electric shock.

**When ripping, always use a rip fence or straight edge guide.** This improves the accuracy of cut and reduces the chance of blade binding.

**Always use blades with correct size and shape (diamond versus round) of arbour holes.** Blades that do not match the mounting hardware of the saw will run eccentrically, causing loss of control.

**Never use damaged or incorrect blade washers or bolt.** The blade washers and bolt were specially designed for your saw, for optimum performance and safety of operation.

- a) Do not allow anyone under the age of 18 years to operate this saw
- b) When operating the saw, use safety equipment including safety goggles or shield, ear protection, dust mask and protective clothing including safety gloves
- c) Hand-held power tools may produce vibration. Vibration can cause disease. Gloves may help to maintain good blood circulation in the fingers. Hand-held tools should not be used for long periods without a break
- d) Whenever possible, use a vacuum dust extraction system to control dust/waste
- e) Do not attempt to cut material thicker than detailed in the Specifications section of this manual
- f) Adjust the cutting depth to the thickness of the workpiece i.e. less than a full tooth of the blade should be visible below the workpiece
- g) Ensure that work is correctly supported. Large panels may sag under their own weight and bind the saw blade. Supports must be placed under the panel on both sides, close to the line of cut and near the edge of the panel
- h) Ensure all supports and power cables are completely clear of the cutting path
- i) Always secure the workpiece to a stable platform, ensuring body exposure is minimised, avoiding blade binding, or loss of control
- j) Always stand at an angle to the tool when operating
- k) Be aware that the blade will project from the underside of the workpiece
- l) Do not reach beneath the workpiece where the guard cannot protect you from the blade
- m) Note the direction of rotation of the motor and the blade
- n) Inspect the workpiece and remove all nails and other embedded objects prior to starting work
- o) Do not apply any sideways or twisting force to the blade whilst cutting
- p) If a cut does not extend to the edge of the workpiece, or if the blade binds in the cut, allow the blade to come to a complete stop and lift the saw out of the workpiece
- q) Do not attempt to free a jammed blade before first disconnecting the machine from power
- r) Do not move the saw backwards at any time whilst cutting
- s) Beware of projected waste. In some situations, waste material may be projected at speed from the cutting tool. It is the user's responsibility to ensure that other people in the work area are protected from the possibility of projected waste
- t) If you are interrupted when operating the saw, complete the process and switch off before diverting your attention
- u) Check the lower guard for proper closing before each use. Do not operate the saw if the lower guard does not move freely and close instantly. Never clamp or tie the lower guard into the open position. If the saw is accidentally dropped, the lower guard may be bent. Raise the lower guard with the retracting handle and make sure it moves freely and does not touch the blade or any other part, in all angles and depths of cut
- v) Always observe that the lower guard is covering the blade before resting the saw on a surface after use. An unprotected, coasting blade will cause the saw to move backwards, cutting whatever is in its path. Be aware of the time it takes for the blade to stop after the trigger switch is released
- w) Periodically check that all nuts, bolts and other fixings have not loosened, tighten where necessary

The tool must be used only for its prescribed purpose. Any use other than those mentioned in this manual will be considered a case of misuse. The user, and not the manufacturer, shall be liable for any damage or injury resulting from such cases of misuse.

The manufacturer shall not be liable for any modifications made to the tool nor for any damage resulting from such modifications.

Even when the tool is used as prescribed it is not possible to eliminate all residual risk

## Product Familiarisation

1	Dust Extraction Port
2	Main Handle
3	On/Off Trigger Switch
4	Front Handle
5	Blade Direction Indicator
6	Blade Securing Bolt (with flange)
7	Base Plate
8	Parallel Guide Fence
9	Hex Key
10	Spare Carbon Brushes
11	Guard Retraction Lever
12	Blade Guard
13	Bevel Angle Locking Screw
14	Guide Locking Screw
15	Bevel Angle Scale
16	Spindle Lock Lever
17	Brush Access Plugs
18	Lock Off Button
19	Cutting Depth Scale
20	Depth Locking Lever

## Intended Use

Hand-held corded electric circular saw for light to medium duty cross, rip and bevel cutting of hard and softwood timber and sheet material.

**WARNING:** This circular saw is suitable for cutting wood, MDF, chipboard and similar materials only; it is NOT suitable for cutting metal or wood with nails.

## Unpacking Your Tool

- Carefully unpack and inspect your tool. Fully familiarise yourself with all its features and functions
- Ensure that all parts of the tool are present and in good condition. If any parts are missing or damaged, have such parts replaced before attempting to use this tool

## Before Use

**WARNING:** ALWAYS disconnect the machine from the power supply before fitting or removing any accessory or making adjustments.

### Dust extraction

- For a cleaner, safer work environment connect a dust extraction system or workshop vacuum cleaner to the Dust Extraction Port (1)

#### Notes:

- Before you use your saw, it is recommended that you practise on scrap material. The settings of the machine are crucial to achieving a good quality finish, and your work could easily be damaged by using an incorrect setting
- The supplied blade comes pre-fitted. Make sure the Blade Securing Bolt (6) is tightened securely before first use

## Fitting and removing blades

⚠ **WARNING:** ALWAYS wear cut-proof gloves when handling saw blades.

- ALWAYS check the blade being fitted is suitable for the material you intend to cut
  - ONLY fit blades that are in perfect condition. Blunt, bent, and cracked blades should be discarded
1. Push the Spindle Lock Lever (16) inwards, and turn the blade by hand until you feel the spindle lock engage

2. Unscrew the Blade Securing Bolt (6) anti-clockwise, using the supplied Hex Key (9)
3. Release the Spindle Lock Lever and remove the Blade Securing Bolt and the blade flange
4. Use the Guard Retraction Lever (11) to rotate the Blade Guard (12) out of the way, and remove the blade
5. Fit the new blade, ensuring the arrow on the blade matches the direction indicated by the Blade Direction Indicator (5)
6. Refit the blade flange, ensuring a form-fit to the flattened part of the spindle, and refit the Blade Securing Bolt
7. Press the Spindle Lock Lever and tighten the Blade Securing Bolt using the Hex Key
8. Release the Spindle Lock Lever and ensure the blade is secure before use

## Adjusting the bevel angle

**Note:** This saw is equipped with a tilting Base Plate (7).

- To alter the angle of the base plate:
  1. Loosen the Bevel Angle Locking Screw (13). The base plate will now be free to pivot
  2. Select the angle required (0-45°), using the Bevel Angle Scale (15)
  3. Tighten the Bevel Angle Locking Screw

**Note:** To ensure accuracy, the angle between the blade and the base plate should be checked using a suitable protractor.

## Adjusting the cutting depth

**Note:** This saw is equipped with a cutting depth adjustment mechanism.

- To alter the depth of the cut:
  1. Loosen the Depth Locking Lever (20) by pushing it upwards. The Base Plate (7) is now free to adjust to the required cutting depth
  2. Adjust the Base Plate to the required depth using the Cutting Depth Scale (19) or a ruler
  3. Push down the Depth Locking Lever firmly, to lock the Base Plate into position

**Note:** When set correctly, the blade teeth should not protrude any further than approximately 3mm beneath the workpiece.

## Operation

### Handling your circular saw

- ALWAYS hold the saw securely, with both hands, by the handles provided
- ALWAYS allow the blade to come to a complete stop before placing the machine down
- ALWAYS unplug the machine if it is to be left unattended
- ALWAYS make sure that work will not move whilst being cut. Use clamps where appropriate

### Making a cut

1. Hold the saw securely and rest the front edge of the Base Plate (7) on the edge of the workpiece
2. Check that the blade is not in contact with the workpiece, or any other object
3. Start the machine by pressing in the Lock Off Button (18) and squeezing the On/Off Trigger Switch (3)
4. Allow the motor to reach full speed, and push the saw smoothly forward, across the workpiece
5. Maintain a steady movement and ensure the Base Plate is kept pressed against the work

**NOTE:** The front edge of the Base Plate features a guide notch. For normal cutting align the notch marked '0°' with the intended cutting line; for 45° bevel cutting align the notch marked '45°' with the cutting line.

6. Allow the blade to pass through the material and release the On/Off Trigger Switch. Alternatively, if the cut does not reach the edge of the workpiece, release the On/Off Trigger Switch and allow the blade to stop moving before lifting out of the cut

**WARNING:** DO NOT place the machine down until the blade has stopped completely.

### Using the parallel guide fence

- When working parallel to an edge, the Parallel Guide Fence (8) can be used to help guide the saw
- Attach the Parallel Guide Fence to the Base Plate (7), and secure it by tightening the Guide Locking Screw (14). Ensure the Parallel Guide Fence is attached securely
- The position of the Parallel Guide Fence can be adjusted to suit different tasks
- To follow an edge, keep the vertical foot of the Parallel Guide Fence pressed against the vertical edge as the cut is made

## Accessories

- A full range of accessories including circular saw blades, straight edges and rip-cut guides is available from your Silverline stockist. Spare parts can be obtained from [toolsparsonline.com](http://toolsparsonline.com)

## Maintenance

**WARNING:** ALWAYS disconnect from the power supply before carrying out any maintenance or cleaning.

### Cleaning

**WARNING:** ALWAYS wear protective equipment including eye protection and gloves when cleaning this tool.

- Keep your tool clean at all times. Dirt and dust will cause internal parts to wear quickly, and shorten the device's service life
- Clean the body of your machine with a soft brush, or dry cloth
- Never use caustic agents to clean plastic parts. If dry cleaning is not sufficient, a mild detergent on a damp cloth is recommended
- Water must never come into contact with the tool
- Ensure the tool is thoroughly dry before using it
- If available, use clean, dry, compressed air to blow through the ventilation holes (where applicable)

### Brushes

- Over time the carbon brushes inside the motor may become worn
- Excessively worn brushes may cause loss of power, intermittent failure, or visible sparking
- To replace the brushes, remove the Brush Access Plugs (17) from both sides of the machine. Remove the worn brushes and replaced with new. Replace brush access plugs. Alternatively, have the machine serviced at an authorised Silverline service centre

### Contact

For technical or repair service advice, please contact the helpline on (+44) 1935 382 222

**Web:** [silverlinetools.com/en-GB/Support](http://silverlinetools.com/en-GB/Support)

### Address:

Toolstream Ltd.  
Boundary Way  
Lufton Trading Estate  
Yeovil, Somerset  
BA22 8HZ, United Kingdom

### Storage

- Store this tool carefully in a secure, dry place out of the reach of children

### Disposal

Always adhere to national regulations when disposing of power tools that are no longer functional and are not viable for repair.

- Do not dispose of power tools, or other waste electrical and electronic equipment (WEEE), with household waste
- Contact your local waste disposal authority for information on the correct way to dispose of power tools





## Silverline Tools Guarantee

### This Silverline product comes with a 3 year guarantee

Register this product at [www.silverlinetools.com](http://www.silverlinetools.com) within 30 days of purchase in order to qualify for the 3 year guarantee. Guarantee period begins according to the date of purchase on your sales receipt.

### Registering your purchase

Registration is made at [silverlinetools.com](http://silverlinetools.com) by selecting the Guarantee Registration button. You will need to enter:-

- Your personal details
- Details of the product and purchase information

Once this information is entered your guarantee certificate will be created in PDF format for you to print out and keep with your purchase.

## Terms & Conditions

Guarantee period becomes effective from the date of retail purchase as detailed on your sales receipt.

### PLEASE KEEP YOUR SALES RECEIPT

If this product develops a fault within 30 days of purchase, return it to the stockist where it was purchased, with your receipt, stating details of the fault. You will receive a replacement or refund.

If this product develops a fault after the 30 day period, return it to:

**Silverline Tools Service Centre**

**PO Box 2988**

**Yeovil**

**BA21 1WU, UK**

The guarantee claim must be submitted during the guarantee period.

You must provide the original sales receipt indicating the purchase date, your name, address and place of purchase before any work can be carried out.

You must provide precise details of the fault requiring correction.

Claims made within the guarantee period will be verified by Silverline Tools to establish if the deficiencies are related to material or manufacturing of the product.

Carriage will not be refunded. Items for return must be in a suitably clean and safe state for repair, and should be packaged carefully to prevent damage or injury during transportation. We may reject unsuitable or unsafe deliveries.

All work will be carried out by Silverline Tools or its authorized repair agents.

The repair or replacement of the product will not extend the period of guarantee

Defects recognised by us as being covered by the guarantee shall be corrected by means of repair of the tool, free of charge (excluding carriage charges) or by replacement with a tool in perfect working order.

Retained tools, or parts, for which a replacement has been issued, will become the property of Silverline Tools.

The repair or replacement of your product under guarantee provides benefits which are additional to and do not affect your statutory rights as a consumer.

### What is covered:

The repair of the product, if it can be verified to the satisfaction of Silverline Tools that the deficiencies were due to faulty materials or workmanship within the guarantee period.

If any part is no longer available or out of manufacture, Silverline Tools will replace it with a functional replacement part.

Use of this product in the EU.

### What is not covered:

Silverline Tools does not guarantee repairs required as a result of:

Normal wear and tear caused by use in accordance with the operating instructions eg blades, brushes, belts, bulbs, batteries etc.

The replacement of any provided accessories drill bits, blades, sanding sheets, cutting discs and other related items.

Accidental damage, faults caused by negligent use or care, misuse, neglect, careless operation or handling of the product.

Use of the product for anything other than normal domestic purposes.

Change or modification of the product in any way.

Use of parts and accessories which are not genuine Silverline Tools components.

Faulty installation (except installed by Silverline Tools).

Repairs or alterations carried out by parties other than Silverline Tools or its authorized repair agents.

Claims other than the right to correction of faults on the tool named in these guarantee conditions are not covered by the guarantee.

## Introduction

Nous vous remercions d'avoir choisi cet équipement Silverline. Ces instructions contiennent les informations nécessaires pour vous en garantir un fonctionnement efficace et en toute sécurité. Veuillez lire attentivement ce manuel pour vous assurer de tirer pleinement avantage des caractéristiques uniques de votre nouvel équipement.

Gardez ce manuel à portée de main et assurez-vous que tous les utilisateurs l'aient lu et bien compris avant toute utilisation. Conservez-le pour toute référence ultérieure.

## Description des symboles

La plaque signalétique figurant sur votre outil peut présenter des symboles. Ces symboles constituent des informations importantes relatives au produit ou des instructions concernant son utilisation.



Port de protection auditive  
Port de lunettes de sécurité  
Port de masque respiratoire  
Port de casque



Port de gants



Lire le manuel d'instructions



### Protection de l'environnement

Les produits électriques usagés ne doivent pas être jetés avec les ordures ménagères. Veuillez les recycler dans les centres prévus à cet effet. Pour de plus amples informations, veuillez contacter votre municipalité ou point de vente.



Conforme à la réglementation et aux normes de sécurité pertinentes



Construction de classe II (double isolation pour une protection supplémentaire)



Attention !

## Abréviations pour les termes techniques

V	Volts
~	Courant alternatif
A	Ampère
$n_b$	Vitesse à vide
Hz	Hertz
W, kW	Watt, kilowatt
/min or min <sup>-1</sup>	tour par minute

## Caractéristiques techniques

Tension:	230 V; 50 Hz
Puissance:	1200 W
Vitesse à vide:	5 500 min <sup>-1</sup>
Diamètre max. de la lame:	185 mm
Diamètre d'alésage:	20 mm
Dimension de la lame fournie:	ø185 x ø20 x 2,5 mm x 24 dents
Profondeur max. de coupe:	.63 mm (90°)
	43 mm (45°)
Réglage du biseau:	0 - 45°
Indice de protection:	IP20
Classe de protection:	□
Dimension (L x l x H):	330 x 240 x 250 mm
Poids:	3,75 kg

Du fait de l'évolution constante de nos produits, les caractéristiques des produits Silverline peuvent changer sans notification préalable.

### Informations relatives au niveau d'intensité sonore et vibratoire

Pression acoustique L <sub>pa</sub> :	91 dB (A)
Puissance acoustique L <sub>wa</sub> :	102 dB (A)
Incertitude:	3 dB (A)
Vibration pondérée:	ah, CH <sub>eq</sub> (poignée principale) 3,14 m/s <sup>2</sup>
Incertitude K:	1,5 m/s <sup>2</sup>

L'intensité sonore peut dépasser 85 dB(A) et il est nécessaire que l'utilisateur porte des protections auditives.

**AVERTISSEMENT :** Toujours porter des protections auditives lorsque le niveau d'intensité est supérieur à 85 dB(A) et limiter le temps d'exposition si nécessaire. Si l'intensité sonore devient inconfortable, même avec les protections, arrêter immédiatement d'utiliser l'appareil, vérifier que les protections sont bien mises et qu'elles sont adaptées au niveau sonore produit par l'appareil.

**AVERTISSEMENT :** L'exposition de l'utilisateur aux vibrations peut engendrer une perte du toucher, des engourdissements, des picotements et réduire la capacité de préhension. L'exposition à long terme peut conduire à des symptômes chroniques. Si nécessaire, limiter le temps d'exposition aux vibrations, et portez des gants anti-vibrations. Ne pas utiliser cet appareil à mains nues lorsque les températures sont en dessous d'un niveau normal et confortable, puisque l'effet vibratoire en est accentué. Se référer aux données fournies par les caractéristiques relatives aux vibrations pour calculer le temps et fréquence d'utilisation de l'appareil.

Les niveaux sonores et vibratoires indiqués dans la section « Caractéristiques techniques » du présent manuel sont déterminés en fonction de normes internationales. Ces données correspondent à un usage normal de l'appareil, et ce dans des conditions de travail normales. Un appareil mal entretenir, mal assemblé ou mal utilisé peut augmenter les niveaux sonores et vibratoires. Le site [www.osha.europa.eu](http://www.osha.europa.eu) offre de plus amples informations sur les niveaux sonores et vibratoires sur le lieu de travail, celles-ci pourront être utiles à tout particulier utilisant des outils électriques pendant des périodes prolongées.

## Consignes générales de sécurité

**AVERTISSEMENT** Veuillez lire l'intégralité des consignes de sécurité et des instructions. Le non-respect de ces consignes et instructions peut entraîner un risque de choc électrique, d'incendie et/ou se traduire par des blessures graves.

**AVERTISSEMENT** : Cet appareil n'est pas conçu pour être utilisé par des personnes (enfants compris) ayant des capacités physiques ou mentales réduites, ou n'ayant pas la connaissance ou l'expérience requise, à moins d'être sous la supervision d'une personne responsable de leur sécurité ou d'avoir reçu les instructions nécessaires. Les enfants ne doivent pas s'approcher et jouer avec cet appareil. Veuillez conserver ces instructions et consignes de sécurité pour référence ultérieure.

L'expression « appareil électrique » employée dans les présentes consignes recouvre aussi bien les appareils filaires à brancher sur le secteur que les appareils sans fils fonctionnant sous batterie.

### 1) Sécurité sur la zone de travail

- Maintenez une zone de travail propre et bien éclairée.** Des zones encombrées et mal éclairées sont sources d'accidents.
- Ne pas utiliser d'outils électriques dans des environnements explosifs, tels qu'à proximité de liquides, de gaz ou de poussières inflammables.** Les appareils électriques produisent des étincelles susceptibles d'enflammer la poussière ou les vapeurs présentes.
- Éloigner les enfants et les passants pendant l'utilisation d'un appareil électrique.** Ceux-ci peuvent provoquer une perte d'attention et faire perdre la maîtrise de l'appareil.

### 2) Sécurité électrique

- La prise d'un appareil électrique doit être adaptée à la prise du secteur. Ne jamais modifier la prise en aucune façon. Ne jamais utiliser d'adaptateur sur la prise électrique d'appareil mis à la terre.** Des prises non modifiées, adaptées aux boîtiers de prise de courant, réduiront le risque de décharge électrique.
- Éviter le contact corporel avec les surfaces mises à la terre telles que tuyaux, radiateurs, cuisiniers et réfrigérateurs.** Le risque de décharge électrique est plus important si le corps est mis à la terre.
- Ne pas exposer l'appareil électrique à la pluie ou à l'humidité.** L'infiltration d'eau dans un appareil électrique accroît le risque de décharge électrique.
- Ne pas maltraiter le cordon électrique. Ne jamais utiliser le cordon électrique pour porter, tirer ou débrancher l'appareil. Protéger le cordon électrique de la chaleur, du contact avec l'essence, des bords tranchants et pièces rotatives.** Un cordon électrique endommagé ou entortillé accroît le risque de décharge électrique.
- Lors d'une utilisation de l'appareil électrique en extérieur, se servir d'une rallonge appropriée à une utilisation en extérieur.** Cela réduit le risque de décharge électrique.
- Si une utilisation de l'appareil électrique dans un environnement humide ne peut être évitée, utiliser une alimentation protégée par un disjoncteur différentiel.** L'utilisation d'un disjoncteur différentiel réduit le risque de décharge électrique.

### 3) Sécurité des personnes

- Rester vigilant et faire preuve de bon sens lors de la manipulation de l'appareil. Ne pas utiliser un appareil électrique lorsque l'on se trouve dans un état de fatigue, ou sous l'influence de drogues, d'alcool ou de médicaments.** Un moment d'inattention pendant l'utilisation d'un outil électrique peut se traduire par des blessures graves.
  - Porter un équipement de protection approprié. Toujours porter une protection oculaire.** Le port de masque à poussières, chaussures de sécurité antidérapantes, casque de sécurité et protections antibrûlures adaptés aux différentes conditions de travail réduisent le risque de blessures corporelles.
  - Éviter tout démarrage accidentel ou intempêtif. S'assurer que l'interrupteur marche-arrêt soit en position d'arrêt avant de brancher l'appareil sur l'alimentation secteur ou d'installer la batterie, de prendre l'appareil ou de le transporter.** Porter un appareil électrique tout en maintenant le doigt posé sur l'interrupteur ou brancher un appareil électrique dont l'interrupteur est sur la position de marche est source d'accidents.
  - Enlever toute clé et tout instrument de réglage avant de mettre l'appareil électrique en marche. Une clé ou un instrument de réglage laissé fixé à un élément en rotation de l'appareil électrique peut entraîner des blessures physiques.**
  - Ne pas essayer d'atteindre une zone hors de portée. Se tenir toujours en position stable permettant de conserver l'équilibre.** Cela permet de mieux contrôler l'appareil électrique dans des situations inattendues.
  - Porter des vêtements appropriés. Ne pas porter de vêtements amples ou des bijoux pendents. Éloigner cheveux, vêtements et gants des pièces en mouvement.** Les vêtements amples, les bijoux pendents et cheveux longs peuvent être happés par les pièces en rotation.
  - Si l'appareil est pourvu de dispositifs destinés au raccord d'équipements d'extraction et de récupération de la poussière/sciure, s'assurer qu'ils soient bien fixés et utilisés correctement.** L'utilisation de ces dispositifs peut réduire les risques dus à la poussière.
- ### 4) Utilisation et entretien des appareils électriques
- Ne pas forcer sur l'appareil électrique. Utiliser l'appareil électrique approprié au travail à effectuer.** Un appareil électrique adapté et employé au rythme pour lequel il a été conçu permettra de réaliser un travail de meilleure qualité et dans de meilleures conditions de sécurité.
  - Ne pas utiliser un appareil électrique dont l'interrupteur marche-arrêt est hors service.** Tout appareil électrique dont la commande ne s'effectue plus par l'interrupteur marche-arrêt est dangereux et doit être réparé.
  - Débrancher l'appareil électrique ou démonter sa batterie avant d'effectuer tout réglage ou changement d'accessoire et avant de le ranger.** De telles mesures préventives réduiront les risques de démarrage accidentel.

- Ranger les appareils électriques inutilisés hors de portée des enfants et ne pas permettre l'utilisation de cet appareil aux personnes non habituées à son maniement ou n'ayant pas lu les présentes instructions.** Les appareils électriques sont dangereux dans les mains d'utilisateurs inexpérimentés.
- Veiller à l'entretien des appareils électriques. Vérifier que les éléments rotatifs soient bien alignés et non grippés. S'assurer de l'absence de pièces cassées ou endommagées susceptibles de nuire au bon fonctionnement de l'appareil. Si l'appareil électrique est endommagé, le faire réparer avant toute utilisation.** De nombreux accidents sont dus à l'utilisation d'appareils électriques mal entretenus.
- Veiller à ce que les outils de coupe soient tenus affûtés et propres.** Des outils de coupe bien entretenus, aux tranchants bien affûtés, sont moins susceptibles de se gripper et sont plus faciles à contrôler.
- Utiliser l'appareil électrique, les accessoires et outils à monter conformément à ces instructions, en tenant compte des conditions de travail et de la tâche à réaliser.** Toute utilisation d'un appareil électrique autre que celle pour laquelle il a été conçu peut entraîner des situations à risque.

**ATTENTION** : Lorsque utilisé en Australie ou en Nouvelle Zélande, il est recommandé que cet appareil soit toujours alimenté via un disjoncteur différentiel ayant un courant résiduel de 30 mA ou moins.

### 5) Réparation

- Ne faire réparer votre appareil électrique que par un réparateur qualifié utilisant uniquement des pièces de rechange identiques.** Cela permet de maintenir la sécurité d'utilisation de l'appareil électrique.

## Rebond : Prévention et sécurité de l'utilisateur

Le rebond est une réaction soudaine de l'appareil survenant lorsque la lame vient se coincer ou se gripper dans la pièce à couper ou lorsqu'elle est mal centrée, entraînant un soulèvement de la scie une projection vers l'utilisateur. Le rebond provient d'une mauvaise utilisation et/ou de procédures ou de conditions d'utilisation inadéquates de l'appareil, qui peuvent être évitées en tenant compte des précautions suivantes :

- Exercer une prise en main sûre et ferme de la scie, des deux mains, en tenant les bras de manière à résister aux forces de rebond. Se placer d'un côté ou de l'autre de la lame, mais jamais dans son prolongement.** Le rebond peut entraîner un sursaut de la machine vers l'arrière, mais la mise en œuvre de précautions adéquates permettra à l'utilisateur de maîtriser les forces de rebond.
- Note** : Pour les scies circulaires de 140 mm ou dont les lames sont plus petites l'expression « avec les deux mains peut être omise.
- Lorsque la lame se gripe, ou lors de l'interruption d'une coupe pour une raison quelconque, relâcher la gâchette et maintenir la scie sur la pièce à couper, sans la déplacer, jusqu'à arrêter complètement de la lame. Ne jamais retirer la scie de la pièce en la soulevant ou en la faisant reculer dans le trait de coupe tant que la lame tourne.** Rechercher la cause du problème et prendre toutes les mesures permettant d'y remédier.
- Lors du redémarrage de l'appareil dans la pièce à couper, center la lame de la scie dans le trait de coupe et vérifier que les dents de la scie ne mordent pas dans le matériau, dans le cas contraire, la lame pourrait être projetée vers le haut ou rebondir au moment du redémarrage de la scie.**
- Placez des éléments de support sous les panneaux de grande taille de chaque côté de la ligne de coupe, à proximité de la ligne de coupe et à proximité des bords du panneau, afin d'empêcher l'affaissement du panneau.** Ceci réduit également le risque de pincement de la lame et de rebond.
- Ne pas utiliser de lames émoussées ou endommagées.** Les lames non affûtées ou mal montées produisent des traits de coupe plus étroits, entraînant un excès de frottement, un grippage de la lame et un risque de rebond.
- Les leviers de blocage de réglage de profondeur de lame et de réglage du biseau doivent être bien serrés avant de procéder à la coupe.** Tout dérèglement de la lame au cours de la coupe peut causer un grippage et de rebond.
- Procéder avec une prudence particulière lors de la réalisation de « coupes plongées » dans des parois ou autres zones non débouchantes.** La lame est susceptible de venir couper des objets pouvant occasionner un rebond.
- Vérifiez avant chaque utilisation que la protection inférieure ferme bien.** Ne mettez pas la scie en marche si la protection inférieure ne s'actionne pas librement et ne se ferme pas instantanément. Ne fixez jamais la protection inférieure en position ouverte par un moyen quelconque. Toute chute de la scie peut entraîner une déformation de la protection inférieure. Relever la protection inférieure à l'aide de la poignée de retrait pour vous assurer qu'elle n'est pas entravée et qu'elle ne vient pas toucher la lame ou tout autre partie de la scie, à tous les angles et toutes les profondeurs de coupe possibles.
- Vérifiez le bon fonctionnement du ressort de la protection inférieure.** Si la protection et son ressort ne fonctionnent pas correctement, faites les réparer avant toute utilisation. Une détérioration du fonctionnement de la protection inférieure peut provenir de l'endommagement des composants, de dépôts résineux ou d'une accumulation de débris.
- La protection inférieure ne doit se rétracter à la main que dans le cas de coupes spécifiques, telles que les coupes « plongées » et les coupes coupées (coupes d'onglets bisautées).** Soulevez la protection inférieure en rétractant la poignée et, dès que la lame pénètre dans le matériau, relâchez la protection inférieure. Dans tous les autres cas de sciage, laissez la protection inférieure procéder automatiquement.

k. Assurez-vous toujours que la protection inférieure recouvre bien la lame avant de déposer la scie. Une lame non protégée et en rotation peut entraîner une projection de la scie vers l'arrière, avec un risque de coupure des éléments avec lesquels elle viendrait en contact. N'oubliez pas que la lame met un certain temps à s'arrêter totalement une fois que la gâchette est relâchée. N'utilisez pas de meules ou disques de meuleuses à la place des lames de scie circulaire. Ceci annulerait votre garantie.

l. Si une scie circulaire possède un couteau diviseur, il doit être retiré avant d'effectuer une coupe plongeante. Un couteau diviseur entraverait le fonctionnement de la scie circulaire lors d'une coupe plongeante et qui pourrait causer un rebond. Le couteau diviseur doit toujours être réinstallé après une coupe plongeante. Une scie circulaire qui possède un couteau diviseur permanent et non-amovible n'est PAS adaptée aux coupes plongeantes.

## Consignes de sécurité supplémentaires pour les scies circulaires

**AVERTISSEMENT :** Avant de brancher l'outil sur l'alimentation secteur, bien vérifier que la tension d'alimentation est la même que celle indiquée sur la plaque signalétique de l'outil. Une alimentation électrique dont la tension est supérieure à celle indiquée sur l'outil risque d'entraîner des blessures chez l'utilisateur et des dommages sur l'outil. En cas de doute, ne pas brancher l'outil. L'utilisation d'une source de courant dont la tension est inférieure à celle indiquée sur l'outil peut endommager le moteur.

⚠ **AVERTISSEMENT :** Garder les mains éloignées de la zone de coupe et de la lame. Garder l'autre main sur la poignée auxiliaire, ou sur le boîtier du moteur. Si les deux mains tiennent la scie, elles ne peuvent pas être coupées par la lame.

**Note :** Pour les scies circulaires de 140 mm ou avec des disques de plus petit diamètre, la consigne "Garder votre seconde main sur la poignée auxiliaire, ou sur le boîtier du moteur" peut être omise.

**Ne pas essayer d'atteindre la pièce de travail par le dessous.** Le carter de protection ne peut pas vous protéger de la lame sous la pièce de travail.

**Régler la profondeur de coupe selon l'épaisseur de la pièce de travail.** Moins d'une dent entière de la lame doit être visible sous la pièce de travail.

**Ne jamais tenir la pièce à découper dans les mains ou entre les jambes. Immobiliser la pièce de travail sur une plateforme stable.** Il est important de soutenir la pièce correctement pour éviter les expositions du corps, contact avec la lame, ou une perte de contrôle.

**En fonctionnement, les outils électriques doivent toujours être tenus par les surfaces de préhension isolantes, ce qui garantit votre protection en cas de contact entre l'appareil et son cordon d'alimentation ou des fils électriques cachés.** Tout contact entre un fil sous tension et les parties métalliques apparentes de l'appareil peut entraîner un risque de choc électrique si l'utilisateur vient à toucher ces parties métalliques.

**Pour des références, toujours utiliser un guide à refendre ou le bord d'un guide droit.** Ceci améliore la précision de coupe et réduit les risques de contact avec la lame.

**Toujours utiliser les lames recommandées, de la taille indiquée et de l'alsage indiqué.** Les lames non adaptées aux éléments de montage prévus sur la scie présenteront des défauts de concentricité et conduiront à une mauvaise maîtrise de la machine.

**Ne jamais utiliser des rondelles ou des boulons de lame inadaptes ou endommagés.** Les rondelles et les boulons ont été spécifiquement conçus pour votre scie, pour une performance optimale et une sécurité de fonctionnement.

- Interdire à toute personne de moins de 18 ans d'utiliser cet appareil.
- L'utilisation d'une scie circulaire demande le port d'équipements de sécurité tels que lunettes ou visière de sécurité, casque anti-bruit et habillement protecteur tel que gants de sécurité.
- Les outils électriques portatifs produisent des vibrations. Les vibrations peuvent provoquer des maladies. En conservant la chaleur, des gants portés par l'utilisateur peuvent lui permettre de maintenir une bonne circulation sanguine dans les doigts. Les outils portatifs ne doivent pas être utilisés pendant de longues périodes sans marquer une pause.
- Dans la mesure du possible, utiliser un système d'extraction des poussières pour contrôler la poussière/les déchets.
- Ne pas tenter de couper des matériaux plus épais que ceux recommandés dans ce manuel.
- Adapter la profondeur de coupe en fonction de l'épaisseur de la pièce à couper, c'est-à-dire que la lame ne doit ressortir sous la pièce à couper que sur une longueur inférieure à la taille d'une dent.
- S'assurer que la pièce à couper se trouve sur des supports adéquats. Les grosses pièces peuvent ployer sous leur propre poids et ainsi coincer la lame. Les panneaux et pièces de grande taille doivent être soutenus de manière adéquate de chaque côté de la ligne de coupe, bien à proximité de celle-ci, ainsi que sur les bords.
- S'assurer que tous les supports et les câbles électriques se trouvent en dehors du trait de coupe.

- Toujours immobiliser la pièce à couper sur une surface stable à l'aide d'instruments afin d'être libre de ses mouvements, en les plaçant de manière qu'ils n'entraînent pas le grippage de la lame ou la perte du contrôle de la machine.
- Toujours se tenir avec un angle par rapport à l'appareil en utilisation.
- Tenez compte du fait que la lame ressortira en dessous de la pièce à couper.
- Ne pas placer vos doigts sous la pièce à couper car le carter de protection de lame ne permettra pas de vous en protéger.
- Tenir compte du sens de rotation du moteur et de la lame.
- Examiner préalablement la pièce à couper et retirer les clous et autres objets étrangers.
- Ne jamais appliquer de force latérale ou de torsion sur la lame lors de la coupe.
- Si la coupe entreprise ne doit pas parvenir jusqu'au bord de la pièce à couper, ou si la lame se grippe en cours de coupe, laisser la lame s'arrêter complètement avant de lever la scie.
- Ne jamais commencer à dégager une lame coincée avant d'avoir débranché la machine.
- Ne jamais faire reculer la scie lors de la coupe.
- Attention aux projections de débris. Dans certaines circonstances, des éclats de matériau peuvent se trouver projetés à grande vitesse. Il appartient à l'utilisateur de s'assurer que toute personne également présente dans la zone de travail soit protégée contre ces projections.
- La coupe est interrompue, finir l'action entreprise et éteindre la machine avant de lever les yeux de l'ouvrage.
- Inspecter régulièrement le carter de protection de la lame. Si le carter ne revient pas automatiquement sur la lame, faire réviser l'appareil avant toute utilisation. Ne jamais utiliser un dispositif quelconque pour maintenir le carter de protection de la lame en position ouverte. Si la scie tombe, le carter de protection peut être tordu. Soulever le carter de protection à l'aide du levier du carter de protection et s'assurer qu'il peut se déplacer librement et ne touche pas la lame ou une autre pièce, à tous les angles et toutes les profondeurs de coupe.
- Toujours vérifier que le carter de protection recouvre la lame avant de poser la scie sur une surface après utilisation. Une lame en mouvement non protégée par le carter de protection déplacerait la scie vers l'arrière, coupant tout ce qui se trouve sur son passage. Tenir en compte que la lame de la scie reste en mouvement pendant un certain temps après que la gâchette marche-arrêt ait été relâchée.
- Vérifier régulièrement que toutes les fixations par écrous, boulons et autres soient bien serrées.

L'outil doit être uniquement utilisé dans son but prescrit. Toute autre utilisation que celle indiquée dans le présent manuel sera considérée impropre. Tout dommage et toute lésion découlant d'une quelconque utilisation impropre de l'outil relèvera de la responsabilité de l'utilisateur et non pas de celle du fabricant.

Le fabricant ne saurait être responsable d'aucune modification apportée à l'outil ni d'aucun dommage résultant de telles modifications.

Même lorsque l'outil est utilisé comme indiqué, il est impossible d'éliminer tous les facteurs de risque résiduels. De par sa fabrication et sa conception, cet outil peut entraîner les risques suivants.

## Descriptif du produit

1.	Tubulure d'extraction de la poussière
2.	Poignée principale
3.	Gâchette marche-arrêt
4.	Poignée avant
5.	Indicateur du sens de rotation de la lame
6.	Boulon de fixation de la lame (avec bride)
7.	Embase
8.	Guide parallèle
9.	Clé six pans
10.	Balais de charbon de recharge
11.	Levier du carter de protection
12.	Carter de protection de la lame
13.	Molette de verrouillage de l'angle du biseau
14.	Molette de verrouillage du guide
15.	Échelle de réglage de l'angle du biseau
16.	Levier de verrouillage de l'arbre
17.	Capuchons d'accès aux balais de charbon
18.	Bouton de verrouillage
19.	Échelle de profondeur de coupe
20.	Levier de verrouillage de profondeur

## Usage conforme

Scie circulaire électrique portable à fil pour les tâches légères et moyennes de coupes transversales, de coupes longitudinales et de coupes en biseaux sur des bois durs et tendres et les panneaux de bois.

**ATTENTION :** Cette scie circulaire est adaptée pour couper le bois, le MDF les panneaux agglomérés uniquement ; elle n'est pas adaptée pour couper le métal ou le bois avec des clous.

## Déballage

- Déballer le produit avec soin. Veillez à retirer tout le matériel d'emballage et familiarisez-vous avec toutes les caractéristiques du produit.
- Assurez-vous que toutes les pièces sont présentes et en bonne condition. Si des pièces sont endommagées ou manquantes, faites-les réparer ou remplacer avant d'utiliser l'appareil.

## Avant utilisation

**AVERTISSEMENT :** Débranchez toujours la machine de l'alimentation secteur avant d'installer ou de retirer un accessoire ou d'effectuer des réglages.

## Extraction de la poussière

- Pour travailler dans un environnement plus propre et sain, branchez un système d'extraction de la poussière sur la tubulure d'extraction (1).

### Remarques :

- Il est recommandé de s'entraîner sur une chute de matériau avant d'utiliser la scie. Régler la scie est important pour obtenir un travail de qualité, et une scie mal réglée peut endommager votre pièce de travail.
- La lame fournie est préinstallée. Cependant, vérifiez bien que le boulon de fixation de la lame (6) soit bien serré avant la première utilisation.

## Fixer et retirer une lame

⚠ **AVERTISSEMENT :** Portez toujours des gants de protection anti-coupures lorsque vous manipulez des lames de scie

- Vérifiez toujours que la lame à fixer est adéquate avec le matériau à couper
  - Fixez uniquement des lames en bonne condition. Des lames émoussées, pliées, ou fissurées doivent être rejetées.
1. Poussez le levier de verrouillage de l'arbre (16) vers l'intérieur, et tournez la lame à la main jusqu'à ce que vous sentiez que le verrouillage de l'arbre est enclenché.
  2. Dévissez le boulon de fixation de la lame (6) dans le sens inverse des aiguilles d'une montre, en vous servant de la clé six pans fournie (9).
  3. Relâchez le levier de verrouillage de l'arbre et enlevez le boulon de fixation de la lame et la bride de la lame.
  4. Servez-vous du levier du carter de protection (11) pour faire pivoter le carter de protection de la lame (12) afin de pouvoir enlever la lame.
  5. Fixez la nouvelle lame, en vous assurant que la flèche sur la lame soit dans la même direction que l'Indicateur du sens de rotation de la lame (5).
  6. Réinstallez la bride de la lame, en faisant correspondre à la partie aplatie de l'arbre, et réinstallez le boulon de fixation de la lame.
  7. Poussez le levier de verrouillage de l'arbre et serrez le boulon de fixation de la lame avec la clé six pans.
  8. Relâchez le levier de verrouillage de l'arbre et assurez-vous que la lame soit sécurisée avant utilisation.

## Réglage de l'angle de biseau

**Remarque :** Cette scie est équipée d'une embase pivotante (7).

- Pour changer l'angle d'inclinaison de l'embase :
1. Desserrez la molette de verrouillage de l'angle du biseau (13). L'embase est maintenant prête à pivoter.
  2. Réglez l'angle requis (0-45°) en vous aidant de l'échelle de réglage de l'angle du biseau (15).
  3. Resserrez la molette de verrouillage de l'angle du biseau.

**Remarque :** Pour un réglage précis de l'angle de biseau, il est recommandé d'utiliser un rapporteur entre l'embase et la lame.

## Réglage de la profondeur de coupe

**Remarque :** Cette scie est équipée d'un mécanisme de réglage la profondeur de coupe.

- Pour changer la profondeur de coupe :
1. Desserrez le levier de verrouillage de profondeur (20) en le poussant vers le haut. L'embase (7) est maintenant prête à régler à la profondeur de coupe requise.
  2. Pour régler la profondeur, utilisez l'échelle de profondeur de coupe (19) ou une règle.
  3. Poussez fermement le levier de verrouillage de profondeur vers le bas pour verrouiller l'embase en place.

**Remarque :** Lorsque le réglage est correct, les dents de la lame ne doivent pas dépasser de plus de 3 mm sous la pièce de travail.

## Instructions d'utilisation

### Manipuler la scie

- TOUJOURS maintenir la scie fermement, avec une main sur chaque poignée.
- TOUJOURS attendre l'arrêt complet de la lame avant de reposer la scie.
- TOUJOURS débrancher la scie si elle n'est plus sous surveillance.
- TOUJOURS immobiliser votre pièce de travail pour effectuer une coupe. Utiliser des serre-joints si approprié.

### Effectuer une coupe

1. Maintenir la scie fermement et posez l'avant de l'embase (7) sur le bord de la pièce de travail.
2. Vérifier que la lame ne soit pas en contact avec la pièce de travail ou tout autre objet.
3. Démarrer la scie en appuyant sur le bouton de verrouillage (18) et appuyer sur la gâchette marche/arrêt (3).
4. Laisser le moteur atteindre sa vitesse maximale, et pousser sur la scie de façon régulière sur la pièce de travail.
5. Maintenir un mouvement constant et s'assurer que l'embase de la scie repose bien contre la pièce de travail

**REMARQUE :** L'avant de l'embase possède une encoche de guidage. Pour des coupes normales aligner l'encoche marquée '0' avec la ligne de coupe ; pour les coupes en biseau à 45° aligner l'encoche marquée '45' avec la ligne de coupe.

6. Attendre que la lame ait fini la coupe avant de relâcher la gâchette marche/arrêt. Si la coupe ne se fait pas d'un bord à l'autre, relâcher la gâchette marche-arrêt et attendre que la lame s'arrête avant de soulever la scie de la pièce de travail.

**AVERTISSEMENT :** NE PAS reposer la scie tant que la lame ne s'est pas complètement arrêtée.

### Utilisation du guide parallèle

1. Pour faire une coupe parallèle par rapport à un bord, il est possible d'utiliser le guide parallèle (8) pour aider à guider la scie.
2. Fixer le guide parallèle sur l'embase (7) et le sécuriser en serrant avec la molette de verrouillage du guide (14). Vérifier que le guide parallèle soit bien fixé.
3. Le guide parallèle peut se régler en fonction de la coupe à effectuer.
4. Pour suivre un bord, garder le pied vertical du guide parallèle appuyé contre le bord vertical de la pièce lors de la coupe.

## Accessoires

- Une gamme complète d'accessoires comprenant des lames de scie circulaires, des guides droits et des guides pour coupe longitudinale sont disponibles chez votre revendeur Silverline. Des pièces de rechange sont disponibles sur [toolsparsonline.com](http://toolsparsonline.com).

## Entretien

**AVERTISSEMENT :** TOUJOURS débrancher l'appareil de sa source d'alimentation avant de le nettoyer ou de l'entretenir.

### Nettoyage

**AVERTISSEMENT :** TOUJOURS porter un équipement de protection comprenant des lunettes de sécurité et des gants de travail lors du nettoyage de cet outil.

- Garder l'appareil propre. La poussière et la saleté provoquent l'usure rapide des éléments internes de l'appareil et réduit sa durabilité.
- Utiliser une brosse souple ou un chiffon sec pour le nettoyage.
- Nettoyer le boîtier de la machine avec un chiffon doux et humide.
- Ne jamais utiliser d'agents caustiques sur les parties plastiques. Si un nettoyage sec ne suffit pas, il est recommandé d'utiliser un détergent doux sur un chiffon humide.
- L'appareil ne doit jamais être mis en contact avec de l'eau.
- S'assurer que l'appareil soit complètement sec avant de l'utiliser.
- Si possible, nettoyer les orifices de ventilation à l'air comprimé propre et sec (si applicable).

### Remplacement des balais

- Avec le temps, les balais de charbon du moteur s'usent. Ce processus d'usure est accéléré si la machine est surchargée ou utilisée dans des environnements poussiéreux
- Si les balais sont excessivement usés, le rendement du moteur peut diminuer, la machine peut ne pas démarrer ou une quantité anormale d'étincelles peut être observée
- Pour remplacer les balais, retirer les capchons d'accès aux balais de charbon (17) de chaque côté de l'appareil. Enlever les deux balais usés, et les remplacer par les nouveaux. Autrement, il est possible de les faire remplacer dans un centre d'entretien Silverline agréé.

## Contact

Pour tout conseil technique ou réparation, veuillez nous contacter :

**Téléphone :** (+44) 1935 382 222

**Site web :** [www.silverlinetools.com/fr-FR/Support](http://www.silverlinetools.com/fr-FR/Support)

**Adresse :**

Powerbox  
Boundary Way  
Lufton Trading Estate  
Yeovil, Somerset  
BA22 8HZ, United Kingdom (Royaume-Uni)

## Rangement

- Ranger cet outil dans un endroit sûr, sec et hors de portée des enfants

## Recyclage

Lorsque l'appareil n'est plus en état de fonctionner et qu'il n'est pas réparable, recycler l'appareil en accord avec les directives nationales.

- Ne pas jeter les outils électriques et autres équipements électriques ou électroniques (DEEE) avec les ordures ménagères.
- Contacter les autorités locales compétentes en matière de gestion des déchets pour des informations relatives à la procédure à suivre pour recycler les outils électriques.

## Garantie des outils Silverline

### Ce produit Silverline bénéficie d'une garantie de 3 ans

Enregistrez ce produit sur le site [silverlinetools.com](http://silverlinetools.com) dans les 30 jours suivant l'achat afin de bénéficier de la garantie de 3 ans. La période de garantie commence à partir de la date d'achat figurant sur votre facture.

Rendez-vous sur [silverlinetools.com](http://silverlinetools.com) pour enregistrer votre produit. Il vous faudra saisir :

- Vos informations personnelles
- Les informations concernant le produit et l'achat

Vous recevrez le certificat de garantie au format PDF. Veuillez l'imprimer et le conserver avec votre article.

La période de garantie prend effet à compter de la date de l'achat en magasin indiquée sur votre facture.

## Conditions générales

La période de garantie prend effet à compter de la date de l'achat en magasin indiquée sur votre facture.

### VEUILLEZ CONSERVER VOTRE PREUVE D'ACHAT.

Si ce produit est défectueux pendant les 30 jours qui suivent l'achat, retournez-le au magasin où vous l'avez acheté, avec votre facture, en expliquant en détail le problème. Le produit sera remplacé ou vous serez remboursé(e).

Si ce produit est défectueux après cette période de 30 jours, retournez-le à :

**Silverline Tools Service**  
Centre PO Box 2988

Yeovil

BA21 1WU, Royaume-Uni

Toute demande de service sous garantie doit être soumise pendant la période de garantie.

Avant toute intervention sous garantie, vous devez présenter la facture originale sur laquelle doivent figurer la date d'achat, votre nom, votre adresse et le lieu d'achat.

Vous devez expliquer en détail la défaillance nécessitant réparation.

Les demandes de service sous garantie faites pendant la période de garantie seront vérifiées par Silverline Tools pour établir si la défaillance du produit est liée à un vice de matériau ou de fabrication.

Les frais de port ne seront pas remboursés. Les articles retournés doivent être convenablement propres et sûrs pour être réparés et devraient être emballés soigneusement pour éviter tout dommage ou toute blessure pendant le transport. Nous pouvons refuser les livraisons qui ne sont pas convenables ou sûres.

Toute intervention sera effectuée par Silverline Tools ou ses agents de réparation agréés.

La réparation ou le remplacement du produit ne prolongera pas la période de garantie.

Les anomalies que nous reconnaissons être couvertes par la garantie seront rectifiées par la réparation de l'outil, sans frais (hormis les frais de port) ou par son remplacement par un outil en parfait état de fonctionnement.

Les pièces ou les outils remplacés deviendront la propriété de Silverline Tools.

La réparation ou le remplacement de votre produit sous garantie vous apporte des avantages ; ces avantages s'ajoutent à vos droits statutaires en tant que consommateur sans les affecter aucunement.

### La présente garantie couvre :

La réparation du produit, s'il peut être vérifié, à la satisfaction de Silverline Tools, que les défaillances du produit ont été provoquées par un vice de matériau ou de fabrication au cours de la période de garantie.

Si une pièce n'est plus disponible ou n'est plus fabriquée, Silverline Tools la remplacera par une pièce de rechange opérationnelle.

Une utilisation de ce produit dans l'UE.

### La présente garantie ne couvre pas :

Le remplacement de tout accessoire fourni tel que les forêts, les lames, les feuilles abrasives, les outils de coupe et autres articles similaires.

Les dommages et les défaillances accidentels causés par des négligences à l'utilisation ou à l'entretien, une mauvaise utilisation, un manque d'entretien ou une utilisation ou une manipulation abusive du produit.

L'utilisation du produit à des fins autres que son utilisation domestique normale.

Le moindre changement ou la moindre modification du produit.

L'utilisation de pièces et d'accessoires qui ne sont pas des composants d'origine Silverline Tools.

Une installation défectueuse (sauf si l'installation a été réalisée par Silverline Tools).

Les réparations ou les modifications réalisées par des tiers autres que Silverline Tools ou ses agents de réparation agréés.

Les demandes de service autres que le droit de rectifier les défaillances de l'outil indiquées dans les présentes conditions de garantie ne sont pas couvertes par cette garantie.

## Einführung

Vielen Dank, dass Sie sich für dieses Silverline-Produkt entschieden haben. Dieses Produkt verfügt über einzigartige Funktionen. Die vorliegende Anleitung enthält wichtige Informationen für das sichere und effektive Arbeiten mit diesem Produkt. Selbst wenn Sie bereits mit ähnlichen Produkten vertraut sind, lesen Sie diese Anleitung bitte sorgfältig durch, um den größtmöglichen Nutzen aus diesem Werkzeug ziehen zu können. Bewahren Sie diese Anleitung griffbereit auf und sorgen Sie dafür, dass alle Benutzer dieses Geräts sie gelesen und verstanden haben.

## Symbolerklärung

Auf dem Typenschild des Produkts sind möglicherweise Symbole abgebildet. Sie vermitteln wichtige Informationen über das Produkt oder dienen als Gebrauchsanweisung.



Gehörschutz tragen  
Augenschutz tragen  
Atemschutz tragen  
Kopfschutz tragen



Schutzhandschuhe tragen



Bedienungsanleitung sorgfältig lesen



### Umweltschutz

Elektroaltgeräte dürfen nicht über den Haushaltsmüll entsorgt werden. Nach Möglichkeit bitte über entsprechende Einrichtungen entsorgen. Lassen Sie sich bezüglich der sachgemäßen Entsorgung von Elektrowerkzeugen von der zuständigen Behörde oder dem Händler beraten.



Erfüllt die einschlägigen Rechtsvorschriften und Sicherheitsnormen



Schutzklasse II (doppelt isoliert)



Achtung, Gefahr!

## Verzeichnis der technischen Symbole und Abkürzungen

V	Volt
~	Wechselspannung
A	Ampere
$n_b$	Leerlaufdrehzahl
Hz	Hertz
W, kW	Watt, kilowatt
/min oder min <sup>-1</sup>	(Umdrehungen) pro Minute

## Technische Daten

Spannung:	230 V~, 50 Hz
Leistung:	1200 W
Leerlaufdrehzahl:	5.500 min <sup>-1</sup>
Sägeblatt:	ø 185 mm
Bohrung:	ø 20 mm
Mittelliefertes Sägeblatt:	ø 185 x ø 20 x 2,5 mm x 24 ZpZ
Schnitttiefe:	bei 90° max. 63 mm
	bei 45° max. 37 mm
Gehrungswinkelbereich:	0–45°
Schutzart:	IP 20
Schutzklasse:	□
Abmessungen (L x B x H):	330 x 240 x 250 mm
Gewicht:	3,75 kg

Aufgrund der fortlaufenden Weiterentwicklung unserer Produkte können sich die technischen Daten von Silverline-Produkten ohne vorherige Ankündigung ändern.

### Geräusch- und Vibrationsinformationen

Schalldruckpegel $L_{pA}$ :	91 dB(A)
Schallleistungspegel $L_{WA}$ :	102 dB(A)
Unsicherheit $K_1$ :	3 dB(A)
Hand-Arm-Vibration $a_{hveg}$ (Hauptgriff):	3,14 m/s <sup>2</sup>
Unsicherheit $K_2$ :	1,5 m/s <sup>2</sup>

Der Schallintensitätspegel kann für den Bediener 85 dB(A) übersteigen und Lärmschutzmaßnahmen sind notwendig.

**WARNING!** Tragen Sie in Bereichen, in denen der Lärmpegel 85 dB(A) überschreitet, unbedingt angemessenen Gehörschutz und begrenzen Sie nach Möglichkeit die Belastungsdauer. Sollte trotz Gehörschutz Unbehagen irgendeiner Art auftreten, beenden Sie die Arbeit unverzüglich und überprüfen Sie den Gehörschutz auf korrekten Sitz und Funktion und stellen Sie sicher, dass dieser einen angemessenen Schutz für den Lärmpegel bietet, der von den verwendeten Werkzeugen ausgeht.

**WARNING!** Bei der Benutzung mancher Werkzeuge wird der Benutzer Vibrationen ausgesetzt, welche zum Verlust des Tastsinns, zu Taubheitsgefühl, Kribbeln und zu einer Verminderung der Handgrieffkraft führen können. Langfristige Belastung kann zu chronischen Beschwerden führen. Begrenzen Sie, falls nötig, die Exposition zu Vibrationen und tragen Sie vibrationsmindernde Handschuhe. Verwenden Sie dieses Werkzeug nicht mit kalten Händen, da Vibrationen bei Temperaturen unter dem individuellen Komfortbereich eine stärkere Wirkung zeigen. Beurteilen Sie die Vibrationsbelastung unter Zuhilfenahme der Technischen Daten des jeweiligen Werkzeuges und bestimmen Sie die zulässige Belastungsdauer und -häufigkeit.

Die in den Technischen Daten angegebenen Geräusch- und Vibrationsinformationen werden nach internationalen Standards bestimmt. Die angegebenen Werte beziehen sich auf eine normale Benutzung des Werkzeuges unter normalen Arbeitsbedingungen. Schlecht gewartete, inkorrekt montierte und unsachgemäß verwendete Werkzeuge können erhöhte Schallpegel und Vibrationswerte aufweisen. Weitere Informationen zur EU-Vibrationsrichtlinie und zu Schall- sowie Vibrationsbelastungen, die auch für Heimanwender relevant sein können, finden Sie auf den Seiten der Europäischen Agentur für Sicherheit und Gesundheitsschutz am Arbeitsplatz: [www.osha.europa.eu](http://www.osha.europa.eu).



## Allgemeine Sicherheitshinweise

**WARNUNG!** Lesen Sie alle Sicherheitshinweise und Anweisungen. Versäumnisse bei der Einhaltung der Sicherheitshinweise und Anweisungen können elektrischen Schlag, Brand und/oder schwere Verletzungen verursachen.

**WARNUNG!** Dieses Gerät darf nicht von Personen (wie z. B. Kindern) mit eingeschränkter körperlicher oder geistigen Fähigkeiten oder von Personen ohne Erfahrung im Umgang mit einem solchen Gerät betrieben werden, außer wenn sie von einer für ihre persönliche Sicherheit verantwortlichen Person in der Benutzung unterwiesen worden sind und dabei beaufsichtigt werden. Kinder müssen beaufsichtigt werden, um sicherzustellen, dass sie das Gerät nicht als Spielzeug verwenden.

Bewahren Sie alle Sicherheitshinweise und Anweisungen für die Zukunft auf.

Der in den Sicherheitshinweisen verwendete Begriff „Elektrowerkzeug“ bezieht sich auf netzbetriebene Elektrowerkzeuge (mit Netzkabel) und auf akkubetriebene Elektrowerkzeuge (ohne Netzkabel).

### 1) Arbeitsplatzsicherheit

- Halten Sie Ihren Arbeitsbereich sauber und gut beleuchtet.** Unordnung oder unbeleuchtete Arbeitsbereiche können zu Unfällen führen.
- Arbeiten Sie mit dem Elektrowerkzeug nicht in explosionsgefährdeter Umgebung, in der sich brennbare Flüssigkeiten, Gase oder Stäube befinden.** Elektrowerkzeuge erzeugen Funken, die den Staub oder die Dämpfe entzünden können.
- Halten Sie Kinder und andere Personen während der Benutzung des Elektrowerkzeugs fern.** Bei Ablenkung können Sie die Kontrolle über das Gerät verlieren.

### 2) Elektrische Sicherheit

- Der Anschlussstecker des Elektrowerkzeugs muss in die Steckdose passen.** Der Stecker darf in keiner Weise verändert werden. Verwenden Sie keine Adapterstecker gemeinsam mit schutzgeerdeten Elektrowerkzeugen. Unveränderte Stecker und passende Steckdosen verringern das Risiko eines elektrischen Schlages.
- Vermeiden Sie Körperkontakt mit geerdeten Oberflächen wie von Rohren, Heizungen, Herden und Kühlschränken.** Es besteht ein erhöhtes Risiko durch elektrischen Schlag, wenn Ihr Körper geerdet ist.
- Halten Sie Elektrowerkzeuge von Regen oder Nässe fern.** Das Eindringen von Wasser in ein Elektrowerkzeug erhöht das Risiko eines elektrischen Schlages.
- Zweckentfremden Sie das Kabel nicht, um das Elektrowerkzeug zu tragen, aufzuhängen oder um den Stecker aus der Steckdose zu ziehen.** Halten Sie das Kabel fern von Hitze, Öl, scharfen Kanten oder sich bewegenden Geräteteilen. Beschädigte oder verwickelte Kabel erhöhen das Risiko eines elektrischen Schlages.
- Wenn Sie mit einem Elektrowerkzeug im Freien arbeiten, verwenden Sie nur Verlängerungskabel, die auch für den Außenbereich geeignet sind.** Die Anwendung eines fern von den Außenbereich geeigneten Verlängerungskabels verringert das Risiko eines elektrischen Schlages.
- Wenn der Betrieb des Elektrowerkzeuges in feuchter Umgebung nicht vermeidbar ist, verwenden Sie einen Fehlerstromschutzschalter.** Der Einsatz eines Fehlerstromschutzschalters vermindert das Risiko eines elektrischen Schlages.

### 3) Sicherheit von Personen

- Seien Sie aufmerksam, achten Sie darauf, was Sie tun, und gehen Sie mit Vernunft an die Arbeit mit einem Elektrowerkzeug.** Benutzen Sie kein Elektrowerkzeug, wenn Sie müde sind oder unter dem Einfluss von Drogen, Alkohol oder Medikamenten stehen. Ein Moment der Unachtsamkeit beim Gebrauch des Elektrowerkzeuges kann zu ernsthaften Verletzungen führen.
  - Tragen Sie persönliche Schutzausrüstung und immer eine Schutzbrille.** Das Tragen persönlicher Schutzausrüstung, wie Staubmaske, rutschfeste Sicherheitsschuhe, Schutzhelm oder Gehörschutz, je nach Art und Einsatz des Elektrowerkzeuges, verringert das Risiko von Verletzungen.
  - Wennme Sie eine unbeabsichtigte Inbetriebnahme. Vergewissern Sie sich, dass das Elektrowerkzeug ausgeschaltet ist, bevor Sie es an die Stromversorgung und/oder den Akku anschließen, es aufnehmen oder tragen.** Wenn Sie beim Tragen des Elektrowerkzeuges den Finger am Schalter haben oder das Gerät eingeschaltet an die Stromversorgung anschließen, kann dies zu Unfällen führen.
  - Entfernen Sie Einstellwerkzeuge oder Schraubenschlüssel, bevor Sie das Elektrowerkzeug einschalten.** Ein Werkzeug oder Schlüssel, der sich in einem drehenden Geräteteil befindet, kann zu Verletzungen führen.
  - Vermeiden Sie eine unnatürliche Körperhaltung. Sorgen Sie für einen sicheren Stand und halten Sie jederzeit das Gleichgewicht.** Auf diese Weise lässt sich das Elektrowerkzeug in unerwarteten Situationen besser kontrollieren.
  - Tragen Sie geeignete Kleidung. Tragen Sie keine weite Kleidung oder Schmuck. Halten Sie Haare, Kleidung und Handschuhe fern von sich bewegenden Teilen.** Lockere Kleidung, Schmuck oder lange Haare können von sich bewegenden Teilen erfasst werden.
  - Wenn Staubsaug- und -auffangeinrichtungen montiert werden können, vergewissern Sie sich, dass diese angeschlossen sind und richtig verwendet werden.** Verwendung einer Staubsaugsaugung kann Gefährdungen durch Staub verringern.
- 4) **Verwendung und Behandlung des Elektrowerkzeugs**

- Überlasten Sie das Gerät nicht. Verwenden Sie für Ihre Arbeit das dafür bestimmte Elektrowerkzeug.** Mit dem passenden Elektrowerkzeug arbeiten Sie besser und sicherer im angegebenen Leistungsbereich.
- Benutzen Sie kein Elektrowerkzeug, dessen Schalter defekt ist.** Ein Elektrowerkzeug, das sich nicht mehr ein- oder ausschalten lässt, ist gefährlich und muss repariert werden.
- Ziehen Sie den Stecker aus der Steckdose und/oder entfernen Sie den Akku, bevor Sie Geräteeinstellungen vornehmen, Zubehörteile wechseln oder das Gerät weglegen.** Diese Vorsichtsmaßnahme verhindert den unbeabsichtigten Start des Elektrowerkzeuges.
- Bewahren Sie unbenutzte Elektrowerkzeuge außerhalb der Reichweite von Kindern auf. Lassen Sie Personen das Gerät nicht benutzen, die mit diesem nicht vertraut sind oder diese Anweisungen nicht gelesen haben.** Elektrowerkzeuge sind gefährlich, wenn sie von unerfahrenen Personen benutzt werden.
- Pflegen Sie Elektrowerkzeuge mit Sorgfalt. Kontrollieren Sie, ob bewegliche Teile einwandfrei funktionieren und nicht klemmen, ob Teile gebrochen oder so beschädigt sind, dass die Funktion des Elektrowerkzeuges beeinträchtigt ist. Lassen Sie beschädigte Teile vor dem Einsatz des Gerätes reparieren.** Viele Unfälle haben ihre Ursache in schlecht gewarteten Elektrowerkzeugen.
- Halten Sie Schneidwerkzeuge scharf und sauber.** Sorgfältig gepflegte Schneidwerkzeuge mit scharfen Schneidkanten verkleben sich weniger und sind leichter zu führen.
- Verwenden Sie Elektrowerkzeug, Zubehör, Einsatzwerkzeuge usw. entsprechend diesen Anweisungen.** Berücksichtigen Sie dabei die Arbeitsbedingungen und die ausführende Tätigkeit. Der Gebrauch von Elektrowerkzeugen für andere als die vorgesehenen Anwendungen kann zu gefährlichen Situationen führen.

**WARNUNG!** In Australien und Neuseeland darf dieses Gerät nur unter Verwendung einer Fehlerstromschutzrichtung (FI-Schalter) mit einem Bemessungsfehlerstrom von höchstens 30 mA an die Spannungsversorgung angeschlossen werden.

### 5) Service

- Lassen Sie Ihr Elektrowerkzeug nur von qualifiziertem Fachpersonal und nur mit Original-Ersatzteilen reparieren.** Damit wird sichergestellt, dass die Sicherheit des Elektrowerkzeuges erhalten bleibt.

## Vermeidung von Rückschlag: Benutzersicherheit

- ein Rückschlag ist die plötzliche Reaktion infolge eines hakenden, klemmenden oder falsch ausgerichteten Sägeblattes, die dazu führt, dass eine unkontrollierte Säge abhebt und sich aus dem Werkstück heraus in Richtung der Bedienperson bewegt;
- wenn sich das Sägeblatt in dem sich schließenden Sagespalt verhakt oder verklemt, blockiert es, und die Motorkraft schlägt die Säge in Richtung der Bedienperson zurück;
- wird das Sägeblatt im Sageschnitt verdreht oder falsch ausgerichtet, können sich die Zähne der hinteren Sägeblattkante in der Oberfläche des Werkstücks verhaken, wodurch sich das Sägeblatt aus dem Sagespalt herausbewegt und die Säge in Richtung der Bedienperson zurückspringt.

Ein Rückschlag ist die Folge eines falschen oder fehlerhaften Gebrauchs der Säge. Er kann durch geeignete Vorsichtsmaßnahmen, wie nachfolgend beschrieben, verhindert werden.

- Halten Sie die Säge mit beiden Händen fest und bringen Sie Ihre Arme in eine Stellung, in der Sie die Rückschlagkräfte abfangen können.** Halten Sie sich immer seitlich des Sägeblattes, nie das Sägeblatt in eine Linie mit Ihrem Körper bringen. Bei einem Rückschlag kann die Säge rückwärts springen, jedoch kann die Bedienperson durch geeignete Vorsichtsmaßnahmen die Rückschlagkräfte beherrschen.

**Anmerkung:** Bei Kreissägen mit Sägeblättern von maximal 140 mm Durchmesser müssen nicht zwingend beide Hände verwendet werden.

- Falls das Sägeblatt verklemt oder Sie die Arbeit unterbrechen, schalten Sie die Säge aus und halten Sie sie im Werkstoff ruhig, bis das Sägeblatt zum Stillstand gekommen ist. Versuchen Sie nie, die Säge aus dem Werkstück zu entfernen oder sie rückwärts zu ziehen, solange das Sägeblatt sich bewegt, sonst kann ein Rückschlag erfolgen.** Ermitteln und beheben Sie die Ursache für das Verklemmen des Sägeblattes.
- Wenn Sie eine Säge, die im Werkstück steckt, wieder starten wollen, zentrieren Sie das Sägeblatt im Sagespalt und überprüfen Sie, ob die Sägezähne nicht im Werkstück verhakt sind.** Klemmt das Sägeblatt, kann es sich aus dem Werkstück herausbewegen oder einen Rückschlag verursachen, wenn die Säge erneut gestartet wird.
- Stützen Sie große Platten ab, um das Risiko eines Rückschlages durch ein klemmendes Sägeblatt zu vermindern.** Große Platten können sich unter ihrem Eigengewicht durchbiegen. Platten müssen auf beiden Seiten abgestützt werden, sowohl in Nähe des Sagespalts als auch an der Kante.
- Verwenden Sie keine stumpfen oder beschädigten Sägeblätter.** Sägeblätter mit stumpfen oder falsch ausgerichteten Zähnen verursachen durch einen zu engen Sagespalt eine erhöhte Reibung, Klemmen des Sägeblattes und Rückschlag.
- Ziehen Sie vor dem Sägen die Schnitttiefe- und Schnittwinkelstellungen fest.** Wenn sich während des Sägens die Einstellungen verändern, kann sich das Sägeblatt verklemmen und ein Rückschlag auftreten.
- Seien Sie besonders vorsichtig beim Sägen in bestehende Wände oder andere nicht einsehbare Bereiche.** Das eintauchende Sägeblatt kann beim Sägen in verborgene Objekte blockieren und einen Rückschlag verursachen.
- Überprüfen Sie vor jeder Benutzung, ob die untere Schutzhaube richtig schließt.** Verwenden Sie die Säge nicht, wenn die untere Schutzhaube nicht bei allen Winklereinstellungen und Schnitttiefen frei beweglich ist und sich nicht sofort schließt. Klemmen oder binden Sie die

untere Schutzhaube niemals in geöffneter Position fest.

- i. Überprüfen Sie die Funktionsfähigkeit der Schutzhaubenfeder. Lassen Sie das Gerät vor dem Gebrauch warten, wenn Schutzhaube und Feder nicht einwandfrei arbeiten. Die untere Schutzhaube wird möglicherweise durch beschädigte Teile, klebrige Ablagerungen oder angesammeltes Sägemehl blockiert.
- j. Die untere Schutzhaube darf nur für besondere Anwendungen wie Tauchschnitte oder Schlitsschnitte manuell zurückgezogen werden. Heben Sie die untere Schutzhaube mithilfe des Blattschutzhebels an; sobald das Sägeblatt in den Werkstoff einschneidet, muss die untere Schutzhaube losgelassen werden. Für alle anderen Sägearbeiten sollte die untere Schutzhaube automatisch funktionieren.
- k. Achten Sie vor dem Ablegen der Säge immer darauf, dass die untere Schutzhaube das Sägeblatt bedeckt. Ein ungeschütztes, leer laufendes Sägeblatt führt dazu, dass die Säge rückwärts arbeitet und alles, was im Weg ist, durchsägt. Beachten Sie, dass es einige Zeit dauert, bis das Sägeblatt nach Freigabe der Taste zum Stillstand kommt. Verwenden Sie keine Schleifscheiben, da dies zum Erlöschen der Garantie führt.
- l. Wenn eine Kreissäge über einen Spaltkeil verfügt, muss dieser vor Tauchschnitten entfernt werden. Der Spaltkeil verursacht beim Tauchsägen Rückschlag. Der Spaltkeil ist unmittelbar nach Beendigung des Tauchschnittes wieder anzubringen. Eine Kreissäge mit fest montiertem, nicht herausnehmbarem Spaltkeil eignet sich nicht zum Tauchsägen.

## Zusätzliche Sicherheitshinweise für Kreissägen

**WARNUNG!** Vergewissern Sie sich vor Anschluss des Geräts an eine Stromquelle (Netzsteckdose, Verlängerungsleitung, Kabeltrommel usw.), dass die Versorgungsspannung mit der auf dem Leistungsschild des Elektrowerkzeugs angegebenen Spannung übereinstimmt. Eine Stromquelle mit höherer Spannung als der auf dem Gerät angegebene Spannung kann zu schweren Verletzungen des Bedieners führen und das Gerät beschädigen. Falls Sie sich nicht sicher sind, schließen Sie das Gerät nicht an die Stromquelle an. Die Nutzung einer Stromquelle mit einer geringeren Spannung als der auf dem Typenschild angegebenen ist schädlich für den Motor.

⚠ **GEFAHR ! Kommen Sie mit Ihren Händen nicht in den Sägebereich und an das Sägeblatt. Halten Sie mit Ihrer zweiten Hand den Zusatzgriff oder das Motorgehäuse.** Wenn beide Hände die Säge halten, können diese vom Sägeblatt nicht verletzt werden.

**Anmerkung:** Bei Kreissägen mit Sägeblättern von maximal 140 mm Durchmesser müssen nicht zwingend beide Hände verwendet werden.

**Greifen Sie nicht unter das Werkstück.** Die Schutzhaube kann Sie unter dem Werkstück nicht vor dem Sägeblatt schützen.

**Passen Sie die Schnitttiefe an die Dicke des Werkstücks an.** Es sollte weniger als eine volle Zahnhöhe unter dem Werkstück sichtbar sein.

**Halten Sie das zu sägende Werkstück niemals in der Hand oder über dem Bein fest.**

**Sichern Sie das Werkstück an einer stabilen Aufnahme.** Es ist wichtig, das Werkstück gut zu befestigen, um die Gefahr von Körperkontakt, Klemmen des Sägeblattes oder Verlust der Kontrolle zu minimieren.

**Fassen Sie das Elektrowerkzeug nur an den isolierten Griffflächen an, wenn Sie Arbeiten ausführen, bei denen das Einsatzwerkzeug verborgene Stromleitungen oder das eigene Netzkabel treffen kann.** Kontakt mit einer spannungsführenden Leitung setzt auch Metallteile des Elektrowerkzeugs unter Spannung und führt zu einem elektrischen Schlag.

**Verwenden Sie beim Längsschneiden immer einen Anschlag oder eine gerade Kantenführung.** Dies verbessert die Schnittgenauigkeit und verringert die Möglichkeit, dass das Sägeblatt klemmt.

**Verwenden Sie immer Sägeblätter in der richtigen Größe und mit passender Aufnahmebohrung (z. B. sternförmig oder rund).** Sägeblätter, die nicht zu den Montageteilen der Säge passen, laufen unruhig und führen zum Verlust der Kontrolle.

**Verwenden Sie niemals beschädigte oder falsche Sägeblatt-Unterlegscheiben oder -Schrauben.** Die Sägeblatt-Unterlegscheiben und -Schrauben wurden speziell für Ihre Säge konstruiert, für optimale Leistung und Betriebssicherheit.

- a) Erlauben Sie niemand unter 18 Jahren, dieses Werkzeug zu bedienen.
- b) Verwenden Sie bei der Bedienung der Säge Sicherheitsausrüstung einschließlich Schutzbrille oder -schild, Gehörschutz, Staubmaske und Schutzkleidung einschließlich Schutzhandschuhen.
- c) Tragbare Elektrowerkzeuge können starke Schwingungskräfte erzeugen. Diese Vibrationen können gesundheitsschädigend sein. Wärmende Handschuhe können zu einer guten Durchblutung der Finger beitragen. Tragbare Werkzeuge sollten nie über längere Zeiträume ohne Pausen verwendet werden.
- d) Verwenden Sie nach Möglichkeit ein Staubabsaugsystem, um anfallenden Staub und Abfall unter Kontrolle zu halten.
- e) Die Stärke des zu bearbeitenden Werkstücks darf die Angaben in den technischen Daten dieser Gebrauchsanweisung nicht übersteigen.
- f) Passen Sie die Schnitttiefe an die Stärke des Werkstücks an, d.h. unter dem Werkstück darf kein ganzer Sägeblattzahn sichtbar sein.
- g) Stellen Sie sicher, dass das Werkstück ordnungsgemäß abgestützt ist. Große Platten können unter ihrem Eigengewicht durchhängen und ein Verklammern des Sägeblattes verursachen. Stützvorrichtungen müssen beidseitig unter der zu bearbeitenden Platte nahe der Schnittlinie und den Plattenkanten aufgestellt werden.
- h) Sorgen Sie dafür, dass sich keine Netzkabel und Abstütz- bzw. Einspannvorrichtungen in der Schnittbahn befinden.

- i) Passen Sie das Werkstück stets auf einer stabilen Unterlage ein, damit die Berührungspunkte Ihres Körpers mit dem Werkstück auf ein Minimum beschränkt und ein Festhalten des Sägeblattes sowie ein Kontrollverlust vermieden werden.
- j) Stellen Sie sich bei der Bedienung der Säge immer seitlich zur Säge.
- k) Bedenken Sie, dass das Sägeblatt über die Unterseite des Werkstücks hinausreicht.
- l) Greifen Sie niemals unter das Werkstück, da die Schutzhaube dort keinen Schutz vor dem Sägeblatt bietet.
- m) Beachten Sie die Drehrichtung des Motors und des Sägeblattes.
- n) Untersuchen Sie das Werkstück und entfernen Sie alle Nägel und anderen Fremdkörper, bevor Sie mit der Arbeit beginnen.
- o) Wirken Sie während des Sägens nicht seitlich oder drehend auf das Sägeblatt ein.
- p) Wenn ein Schnitt nicht bis zur Werkstückkante reicht oder wenn das Sägeblatt verklemmt, lassen Sie das Sägeblatt zum völligen Stillstand kommen und heben Sie dann die Säge vom Werkstück ab.
- q) Schalten Sie immer das Gerät aus, bevor Sie ein verklemmtes Sägeblatt zu lösen versuchen.
- r) Bewegen Sie die Säge während des Schneidevorgangs niemals rückwärts.
- s) Seien Sie sich der Gefahr durch weggeschleudertes Ausschussmaterial bewusst. Unter Umständen können Verschnittstücke mit hoher Geschwindigkeit vom Schneidwerkzeug fortkatapultiert werden. Es liegt in der Verantwortung des Benutzers, andere Personen im Arbeitsbereich vor der Gefahr durch umherfliegende Schnittreste zu schützen.
- t) Falls Sie während des Sägens unterbrochen werden, beenden Sie den Arbeitsschritt und schauen Sie erst dann auf.
- u) Prüfen Sie die untere Sägeblattschutzhaube vor jedem Gebrauch auf ordnungsgemäße Schließfunktion. Betreiben Sie die Säge nicht, wenn sich die untere Sägeblattschutzhaube nicht frei bewegen lässt und nicht sofort schließt. Fixieren Sie die untere Sägeblattschutzhaube niemals in der geöffneten Stellung. Wird die Säge versehentlich fallengelassen, kann die Sägeblattschutzhaube dadurch verbiegen. Öffnen Sie die untere Sägeblattschutzhaube über den Rückziehebel und achten Sie dabei darauf, dass sie sich in allen Schrittwinkel- und Schnitttiefeinstellungen frei bewegt und das Sägeblatt oder andere Teile nicht berührt.
- v) Vergewissern Sie sich stets, dass die untere Sägeblattschutzhaube das Sägeblatt abdeckt, bevor Sie die Säge nach dem Gebrauch ablegen. Ein ungeschütztes, im Leerlauf laufendes Sägeblatt verursacht eine Rückwärtsbewegung der Säge, die in Folge alle in ihrer Schnittbahn befindlichen Objekte anschneidet. Berücksichtigen Sie, dass es eine Zeitlang dauert, bis das Sägeblatt nach Freigabe des Auslöseschalters zum völligen Stillstand kommt.
- w) Überprüfen Sie in regelmäßigen Abständen, dass alle Muttern, Schrauben und anderen Befestigungselemente fest angezogen sind.

Das Gerät darf nur für seinen bestimmungsgemäßen Zweck verwendet werden. Jede von der Beschreibung in dieser Gebrauchsanweisung abweichende Verwendung wird als missbräuchliche Verwendung angesehen. Der Bediener, nicht der Hersteller, ist für jegliche Schäden oder Verletzungen aufgrund missbräuchlicher Verwendung haftbar.

Der Hersteller ist weder für am Gerät vorgenommene Modifikationen noch für aus solchen Veränderungen resultierende Schäden haftbar.

Selbst bei Verwendung des Geräts entsprechend den Anweisungen ist es nicht möglich, alle verbleibenden Risikofaktoren auszuschließen.

## Geräteübersicht

1	Spanauswurf
2	Hauptgriff
3	Ein-/Ausschalter
4	Zusatzgriff
5	Drehrichtungsanzeiger
6	Spannschraube (mit Spannflansch)
7	Grundplatte
8	Parallelanschlag
9	Sechskantschlüssel
10	Ersatzkohlebürsten
11	Schutzhaubenhebel
12	Sägeblattschutzhaube
13	Winkelarretierung
14	Anschlagsarretierung
15	Winkelskala
16	Spindelarretierung
17	Kohlebürsten-Verschlussstopfen
18	Einschaltperrre
19	Schnitttiefskala
20	Schnitttieferarretierung

## Bestimmungsgemäße Verwendung

Handgeführte elektrische Kreissäge mit Netzabel für leichte bis mittlere Abläng-, Längs- und Winkelschnitte in Hart- und Weichholz sowie Plattenmaterialien.

**WARNUNG!** Diese Kreissäge ist ausschließlich für Sägeschnitte in Holz, MDF, Spanplatten und ähnliche Materialien konzipiert; sie darf nicht zur Bearbeitung von Metall oder Holz mit Nägeln verwendet werden.

## Auspacken des Gerätes

Packen Sie Ihr Werkzeug vorsichtig aus und überprüfen Sie es. Machen Sie sich vollständig mit allen seinen Eigenschaften und Funktionen vertraut.

Vergewissern Sie sich, dass sämtliche Teile des Werkzeugs vorhanden und in einwandfreiem Zustand sind. Sollten Teile fehlen oder beschädigt sein, lassen Sie diese ersetzen, bevor Sie das Werkzeug verwenden.

## Vor Inbetriebnahme

**WARNUNG!** Trennen Sie das Gerät stets vom Stromnetz, bevor Sie Zubehörteile wechseln oder Einstellungsänderungen vornehmen.

## Staubabsaugung

- Schließen Sie einen Staubfangbeutel oder eine Absauganlage an den Spanauswurf (1) an, um für eine sauberere, sicherere Arbeitsumgebung zu sorgen.

### Hinweise:

- Für hochwertige Arbeitsergebnisse sind die Sägeeinstellungen entscheidend. Durch falsche Einstellungen kann es zudem leicht zu Schäden am Werkstück kommen. Es wird daher empfohlen, vor Gebrauch der Säge an Restmaterial zu üben.
- Das im Lieferumfang enthaltene Sägeblatt ist ab Werk montiert. Kontrollieren Sie vor Inbetriebnahme, dass die Spannschraube (6) fest angezogen ist.

## Sägeblattwechsel

- ⚠ **WARNUNG!** Tragen Sie beim Umgang mit Sägeblättern stets schnittfeste Schutzhandschuhe.
- Vergewissern Sie sich stets, dass das Sägeblatt für den zu bearbeitenden Werkstoff geeignet ist.
- Montieren Sie nur Sägeblätter, die sich in einwandfreiem Zustand befinden. Stumpfe, verbogene und gerissene Sägeblätter müssen umgehend entsorgt werden.

1. Drücken Sie die Spindelarretierung (16) nach innen und drehen Sie das Sägeblatt von Hand, bis die Spindelarretierung greift.
2. Lösen Sie die Spannschraube (6) mit dem Sechskantschlüssel (9) durch Drehen im Gegenuhrzeigersinn.
3. Geben Sie die Spindelarretierung frei und entfernen Sie die Spannschraube und den Spannflansch.
4. Drehen Sie die Sägeblattschutzhaube (12) mittels Schutzhaubenhebel (11) aus dem Weg und nehmen Sie das Sägeblatt ab.
5. Bringen Sie das neue Sägeblatt an und achten Sie dabei darauf, dass der Pfeil am Sägeblatt und der Drehrichtungsanzeiger (5) in der angegebenen Richtung übereinstimmen.
6. Bringen Sie den Spannflansch wieder an und achten Sie dabei auf Formschlüssigkeit mit der Abflachung an der Spindel. Setzen Sie die Spannschraube anschließend ebenfalls wieder ein.
7. Halten Sie die Spindelarretierung gedrückt und ziehen Sie die Spannschraube mit dem Sechskantschlüssel fest.
8. Geben Sie die Spindelarretierung frei und vergewissern Sie sich vor dem Einschalten der Säge, dass das Sägeblatt fest sitzt.

## Winkeleinstellung

**Hinweis:** Diese Säge ist mit einer schwenkbaren Grundplatte (7) ausgestattet.

- Gehen Sie wie folgt vor, um den Neigungswinkel der Grundplatte zu verändern:
  1. Lösen Sie die Schraube der Winkelarretierung (13). Die Grundplatte lässt sich jetzt schwenken.
  2. Wählen Sie anhand der Winkelskala (15) den gewünschten Winkel (0–45°).
  3. Ziehen Sie die Winkelarretierungsschraube wieder an.

**Hinweis:** Es wird empfohlen, den Winkel zwischen Sägeblatt und Grundplatte mit einem geeigneten Winkelmessgerät zu überprüfen, um Genauigkeit zu gewährleisten.

## Schnitttiefeinstellung

**Hinweis:** Diese Säge verfügt über einen Mechanismus zur Einstellung der Schnitttiefe.

- Gehen Sie zum Ändern der Schnitttiefe wie folgt vor:
  1. Lösen Sie die Schnitttieferarretierung (20), indem Sie sie hochdrücken. Die Grundplatte (7) lässt sich jetzt auf die gewünschte Schnitttiefe einstellen.
  2. Bringen Sie die Grundplatte mithilfe der Schnitttiefskala (19) oder einem Lineal auf die benötigte Schnitttiefe.
  3. Drücken Sie die Schnitttieferarretierung kräftig herunter, um die Grundplatte zu fixieren.

**Hinweis:** Bei korrekter Einstellung reichen die Sägeblattzähne höchstens etwa 3 mm über die Unterseite des Werkstücks hinaus.

## Bedienung

### Handhabung der Kreissäge

- Halten Sie die Säge stets gut mit beiden Händen an den Handgriffen fest.
- Warten Sie stets, bis das Sägeblatt zum völligen Stillstand gekommen ist, bevor Sie die Säge ablegen.
- Ziehen Sie stets den Netzstecker der Säge, bevor die Säge unbeaufsichtigt gelassen wird.
- Sorgen Sie stets dafür, dass sich das Werkstück während des Sägens nicht verschieben kann. Setzen Sie bei Bedarf Schraubzwingen ein.

### Arbeitshinweise

1. Halten Sie die Säge gut fest und setzen Sie die Vorderkante der Grundplatte (7) auf die Werkstückkante.
2. Achten Sie darauf, dass das Sägeblatt weder das Werkstück noch andere Gegenstände berührt.
3. Schalten Sie die Säge ein, indem Sie die Einschaltperre (18) drücken und den Ein-/Ausschalter (3) betätigen.
4. Warten Sie, bis der Motor seine volle Drehzahl erreicht hat und schieben Sie die Säge dann gleichmäßig vorwärts in das Werkstück.
5. Achten Sie auf eine beständige Bewegung und halten Sie die Grundplatte fest gegen das Werkstück gedrückt.

**HINWEIS:** Die Vorderkante der Grundplatte verfügt über eine Führungskerbe. Richten Sie für herkömmliche Sägearbeiten die mit 0° markierte Kerbe auf die Schnittlinie aus. Für 45°-Gehrungsschnitte muss die mit 45° gekennzeichnete Kerbe auf die Schnittlinie ausgerichtet sein.

6. Geben Sie den Ein-/Ausschalter frei, sobald das Sägeblatt das Werkstück durchtrennt hat. Falls der Schnitt das Werkstück nicht durchtrennen soll, geben Sie den Ein-/Ausschalter zur Beendigung des Schnittes frei und warten Sie, bis das Sägeblatt zum völligen Stillstand gekommen ist, bevor Sie es aus dem Werkstück nehmen.

**WARNUNG!** Legen Sie die Säge erst ab, nachdem das Sägeblatt zum völligen Stillstand gekommen ist.

## Sägen mit Parallelanschlag

- Soll parallel zu einer Kante gesägt werden, empfiehlt sich die Verwendung des Parallelanschlags (8) zur Führung der Säge.
- Der Parallelanschlag wird an der Grundplatte (7) montiert und über die Anschlagsarretierung (14) fixiert. Überprüfen Sie den Parallelanschlag auf festen Sitz.
- Die Position des Parallelanschlags lässt sich der jeweils auszuführenden Aufgabe anpassen.
- Um an einer Kante entlangzusägen, halten Sie den senkrechten Fuß des Parallelanschlags während des Schnitts gegen die senkrechte Kante gedrückt.

## Zubehör

- Eine Reihe an Zubehör einschließlich Kreissägeblättern, Führungsschienen usw. ist über Ihren Silverline-Fachhändler erhältlich. Ersatzteile können über [toolsparesonline.com](http://toolsparesonline.com) bezogen werden.

## Instandhaltung

**WARNUNG!** Trennen Sie das Gerät stets vom Stromnetz, bevor Sie Wartungs- oder Reinigungsarbeiten durchführen.

### Reinigung

**WARNUNG!** Tragen Sie während der Reinigung dieses Gerätes stets Schutzausrüstung einschließlich Schutzbrille und Schutzhandschuhen.

- Halten Sie Ihr Gerät stets sauber. Durch Staub und Schmutz verschleßen die inneren Teile schnell und die Lebensdauer des Gerätes wird verkürzt.
- Säubern Sie das Gerätegehäuse mit einer weichen Bürste oder einem trockenen Tuch.
- Reinigen Sie Kunststoffteile niemals mit Ätzmitteln. Falls eine Trockenreinigung nicht ausreichend ist, sollte ein mildes Reinigungsmittel auf einem feuchten Lappen verwendet werden.
- Das Gerät darf niemals mit Wasser in Berührung kommen.
- Vergewissern Sie sich vor dem erneuten Gebrauch, dass das Gerät wieder vollkommen trocken ist.
- Die Entlüftungöffnungen gegebenenfalls mit sauberer, trockener Druckluft reinigen, sofern verfügbar.

### Kohlebürsten

- Mit der Zeit unterliegen die Kohlebürsten des Motors dem Verschleiß.
- Wenn der Verschleiß der Bürsten fortgeschritten ist, kann dadurch die Motorleistung abnehmen, die Maschine kurzzeitig ausfallen oder es kann zu sichtbarer Funkenbildung kommen.
- Nehmen Sie zum Wechseln der Kohlebürsten die Kohlebürsten-Verschlussstopfen (17) auf beiden Seiten des Gerätes ab. Die abgenutzten Bürsten können nun gegen die neuen ausgetauscht werden. Bringen Sie anschließend die Kohlebürsten-Verschlussstopfen wieder an. Das Gerät kann stattdessen auch von einem zugelassenen Silverline-Vertragskundendienst gewartet werden.

## Kontakt

Informationen zu Reparatur- und Kundendiensten erhalten Sie unter der Rufnummer (+44) 1935/382222.

**Webseite:** [silverlinetools.com/de-DE/Support](http://silverlinetools.com/de-DE/Support)

**Postanschrift:**  
Toolstream Ltd.  
Boundary Way  
Lufton Trading Estate  
Yeovil, Somerset  
BA22 8HZ  
Großbritannien

## Lagerung

- Bewahren Sie dieses Gerät an einem trockenen, sicheren Ort außerhalb der Reichweite von Kindern auf.

## Entsorgung

Beachten Sie bei der Entsorgung von defekten und nicht mehr reparablen Elektrowerkzeugen die geltenden Vorschriften und Gesetze.

- Elektrowerkzeuge und andere elektrische und elektronische Altgeräte nicht über den Hausmüll entsorgen.
- Lassen Sie sich von der zuständigen Behörde bezüglich der ordnungsgemäßen Entsorgung von Elektrowerkzeugen beraten.

## Silverline-Tools-Garantie

### Dieser Silverline-Artikel wird mit einer 3-Jahres-Garantie angeboten

Registrieren Sie diesen Artikel unter [silverlinetools.com](http://silverlinetools.com) innerhalb von 30 Tagen nach dem Kauf, um die 3-Jahres-Garantie zu aktivieren. Der Garantiezeitraum beginnt mit dem Kaufdatum auf Ihrem Kaufbeleg.

### Registrierung Ihres Kaufs

Gehen Sie auf [silverlinetools.com](http://silverlinetools.com), klicken Sie auf „Registrierung“ und geben Sie Folgendes ein:

- Ihre persönlichen Angaben
- Produktdetails und Kaufinformationen

Sobald dieser Artikel registriert worden ist, wird Ihre Garantiebescheinigung im PDF-Format erzeugt. Bitte drucken Sie aus und bewahren Sie sie zusammen mit Ihrem Produkt auf.

## Garantiebedingungen

Der Garantiezeitraum beginnt mit dem Kaufdatum im Einzelhandel, das auf dem Kaufbeleg angegeben ist.

### BITTE BEWAHREN SIE DEN KAUFBELEG AUF!

Falls dieser Artikel innerhalb von 30 Tagen nach dem Kauf einen Defekt aufweisen sollte, bringen Sie es bitte mit Ihrem Kaufbeleg zu dem Fachhändler, bei dem es gekauft wurde, und informieren Sie ihn über die Mängel. Das Gerät wird daraufhin ersetzt oder der Kaufpreis zurückerstattet.

Falls dieser Artikel nach Ablauf von 30 Tagen nach dem Kauf einen Mangel aufweist, senden Sie es bitte an:

**Silverline Tools Service Centre**  
**PO Box 2988**

**Yeovil**

**BA21 1WU, Großbritannien**

Der Garantieanspruch muss während der Garantiezeit gestellt werden.

Sie müssen den Originalkaufbeleg mit Angabe des Kaufdatums einreichen und Ihren Namen und Ihre Adresse sowie den Ort des Kaufs angeben, bevor etwaige Arbeiten durchgeführt werden können.

Sie müssen genaue Angaben über den zu behebenden Defekt machen.

Alle innerhalb der Garantiefrist gemachten Forderungen werden von Silverline Tools daraufhin überprüft werden, ob es sich bei den Mängeln um einen Material- oder Fertigungsfehler handelt.

Versandkosten werden nicht zurückerstattet. Alle Artikel sollten sich in sauberem und sicherem Zustand befinden und sorgfältig verpackt zur Reparatur eingeschickt werden, um Schäden oder Verletzungen während des Transports zu vermeiden. Die Annahme unangemessener oder unsicherer Lieferungen kann von uns verweigert werden.

Alle Arbeiten werden von Silverline Tools oder seinen autorisierten Reparaturwerkstätten durchgeführt.

Die Reparatur oder der Ersatz des Artikels führt nicht zur Verlängerung des Garantiezeitraums.

Mängel, bei denen unsere Prüfung ergibt, dass sie unter die Garantie fallen, werden durch kostenlose Reparatur des Werkzeugs (ohne Versandkosten) oder Ersatz durch ein Werkzeug in einwandfreiem Zustand behoben.

Einbehaltene Werkzeuge oder Teile, die ersetzt wurden, gehen in den Besitz von Silverline Tools über.

Die Reparatur bzw. der Ersatz Ihres Artikels unter dieser Garantie erfolgt zusätzlich zu Ihren gesetzlichen Rechten als Verbraucher und hat keine nachteiligen Folgen auf diese.

### Durch die Garantie abgedeckt ist:

Die Reparatur des Artikels, nachdem zur Zufriedenheit von Silverline Tools nachgewiesen wurde, dass der Defekt durch fehlerhaftes Material oder mangelhafte Arbeitsausführung bedingt ist und in den Garantiezeitraum fällt.

Wenn ein Ersatzteil nicht mehr erhältlich ist oder nicht mehr hergestellt wird, kann Silverline Tools es gegen einen funktionellen Ersatz austauschen.

Verwendung des Artikels innerhalb der EU.

### Durch die Garantie nicht abgedeckt ist:

Silverline Tools garantiert keine Reparaturen, die durch Folgendes erforderlich geworden sind:

Normale Verschleißerscheinungen, die trotz Verwendung entsprechend der Bedienungsanleitung entstehen, z.B. an Messern, Bürsten, Riemen, Glühbirnen, Batterien usw. Ersatz von mitgeliefertem Zubehör wie etwa Bohrspitzen, Klingen, Schleifblättern, Schneidscheiben und anderen zugehörigen Teilen.

Unfallschäden und Fehler, die durch unsachgemäße Verwendung oder Wartung, Missbrauch, Nachlässigkeit oder fahrlässige Bedienung oder Handhabung des Artikels entstanden sind.

Verwendung des Artikels für andere als normale Haushaltszwecke.

Jegliche Veränderungen oder Modifikationen des Artikels.

Die Verwendung von Teilen oder Zubehör, die keine Originalkomponenten von Silverline Tools sind.

Fehlerhafte Montage (außer, wenn von Silverline Tools vorgenommen).

Reparaturen oder Änderungen, die von anderen als Silverline Tools oder seinen autorisierten Reparaturwerkstätten durchgeführt wurden.

Ansprüche, die über die Rechte zur Behebung von Mängeln an dem in diesen Garantiebedingungen genannten Werkzeug hinausgehen.

nicht auf natürliche Abnutzung oder Schäden infolge von Unfällen, unsachgemäßer Verwendung oder Zweckentfremdung.

## Introducción

Gracias por haber elegido esta herramienta Silverline. Estas instrucciones contienen la información necesaria para utilizar este producto de forma segura y eficaz. Lea atentamente este manual para obtener todas las ventajas y características únicas de su nueva herramienta. Conserve este manual a mano y asegúrese de que todas las personas que utilicen esta herramienta lo hayan leído y entendido correctamente.

## Descripción de los símbolos

Los símbolos siguientes pueden aparecer en la placa de características de su herramienta. Estos representan información importante sobre el producto o instrucciones relativas a su uso.



Lleve protección auditiva  
Lleve protección ocular  
Lleve protección respiratoria  
Lleve un casco de seguridad



Lleve guantes de seguridad



Lea el manual de instrucciones



### Protección medioambiental

Los productos eléctricos usados no se deben mezclar con la basura convencional. Están sujetos al principio de recogida selectiva. Solicite información a su ayuntamiento o distribuidor sobre las opciones de reciclaje.



Conforme a las normas de seguridad y la legislación correspondiente.



Protección clase II (doble aislamiento para mayor protección)



¡Peligro!

## Abreviaturas de términos técnicos

V	Voltio/s
~	Corriente alterna
A	Amperio/s
n <sub>s</sub>	Velocidad sin carga
Hz	Hercio/s
W, kW	Vatio/s, kilovatio/s
/min or min <sup>-1</sup>	(Revoluciones o oscilaciones) por minuto

## Características técnicas

Tensión: .....	230 V, 50 Hz
Potencia: .....	1200 W
Velocidad sin carga: .....	5.500 min <sup>-1</sup>
Diámetro del disco: .....	185 mm
Diámetro del agujero: .....	20 mm
Disco suministrado: .....	ø185 x ø20 x 2,5 mm x 24 dientes
Profundidad máxima de corte: .....	.63 mm (90°)
.....	.43 mm (45°)
Ángulo de bisel: .....	0 - 45°
Grado de protección: .....	IP20
Clase de protección .....	II
Dimensiones (L x An x A): .....	330 x 240 x 250 mm
Peso .....	3,75 kg

Como parte de nuestra política de desarrollo de productos, los datos técnicos de los productos Silverline pueden cambiar sin previo aviso

### Información sobre ruido y vibración:

Presión acústica L <sub>WA</sub> : .....	91 dB(A)
Potencia acústica L <sub>WA</sub> : .....	102 dB(A)
Incertidumbre K: .....	3 dB(A)
Vibración ponderada a <sub>h</sub> : .....	ah, CHeq (empuñadura principal) 3,14 m/s <sup>2</sup>
Incertidumbre K: .....	1,5 m/s <sup>2</sup>

El nivel de intensidad sonora para el usuario puede exceder de 85 dB(A). Se recomienda usar medidas de protección sonora.

**ADVERTENCIA:** Utilice siempre protección auditiva cuando el nivel ruido exceda 85 dB(A) o cuando esté expuesto durante largos periodos de tiempo. Si por algún motivo nota algún tipo de molestia auditiva incluso llevando orejeras de protección, detenga inmediatamente la herramienta y compruebe que las orejeras de protección estén colocadas adecuadamente. Asegúrese de que el nivel de atenuación y protección de las orejeras sea adecuado dependiendo del tipo de herramienta y el trabajo a realizar.

**ADVERTENCIA:** La exposición a la vibración durante la utilización de una herramienta puede provocar pérdida del sentido del tacto, entumecimiento, hormigueo y disminución de la capacidad de sujeción. La exposición durante largos periodos de tiempo puede provocar enfermedad crónica. Si es necesario, limite el tiempo de exposición a la vibración y utilice guantes anti-vibración. No utilice la herramienta cuando sus manos estén muy frías, las vibraciones tendrán un mayor efecto. Utilice los datos técnicos de su herramienta para evaluar la exposición y medición de los niveles de ruido y vibración.

Los niveles de vibración y ruido están determinados según las directivas internacionales vigentes. Los datos técnicos se refieren al uso normal de la herramienta en condiciones normales. Una herramienta defectuosa, mal montada o desgastada puede incrementar los niveles de ruido y vibración. Para más información sobre ruido y vibración, puede visitar la página web [www.osha.europa.eu](http://www.osha.europa.eu)

## Instrucciones de seguridad relativas a las herramientas eléctricas

**ADVERTENCIA:** Lea siempre el manual de instrucciones y las advertencias de seguridad. No seguir estas advertencias e instrucciones puede causar descargas eléctricas, incendios y/o lesiones graves.

**ADVERTENCIA:** No permita que los niños, personas discapacitadas o personas no cualificadas utilicen esta herramienta. Mantenga esta herramienta fuera del alcance de los niños. **Conserve estas instrucciones de seguridad para futura referencia.**

La expresión "herramienta eléctrica" se refiere a su herramienta alimentada por corriente eléctrica (herramienta alámbrica) o una herramienta eléctrica alimentada por baterías (herramienta inalámbrica).

### 1) Seguridad en el área de trabajo

- Mantenga el área de trabajo limpia y bien iluminada. Las áreas de trabajo desordenadas y oscuras son peligrosas y pueden provocar un accidente.
- No utilice herramientas eléctricas en atmósferas explosivas que contengan líquidos, gases o polvos inflamables. Las herramientas eléctricas producen chispas que pueden incendiar el polvo o los vapores.
- Mantenga alejados a los niños y personas que se encuentren a su alrededor mientras esté trabajando con una herramienta eléctrica. Las distracciones pueden hacerle perder el control de la herramienta.

### 2) Seguridad eléctrica

- El enchufe de la herramienta eléctrica debe coincidir con la toma de corriente. No modifique nunca el enchufe de ninguna manera. No utilice ningún adaptador de enchufe sin toma de tierra. Los enchufes si modificar y el uso de tomas de corrientes adecuadas reducirán el riesgo de descargas eléctricas.
- Evite el contacto con materiales conductores tales como tuberías, radiadores, estufas y refrigeradores. El riesgo de descarga eléctrica se incrementa si su cuerpo está expuesto a materiales conductores.
- No exponga las herramientas eléctricas a la lluvia o la humedad. El contacto de agua en una herramienta eléctrica aumentará el riesgo de descargas eléctricas.
- No doble el cable de alimentación. No use nunca el cable de alimentación para transportar la herramienta eléctrica, tirar de ella o desenchufarla. Mantenga el cable de alimentación alejado de fuentes de calor, aceite, bordes afilados o de las piezas móviles. Los cables de alimentación dañados o enredados aumentan el riesgo de descargas eléctricas.
- Use un cable de extensión adecuado para exteriores cuando utilice una herramienta eléctrica en áreas exteriores. La utilización de un cable adecuado para exteriores reducirá el riesgo de descargas eléctricas.
- Si es inevitable trabajar con una herramienta eléctrica en lugares húmedos, use un suministro protegido por un interruptor diferencial o disyuntor por corriente diferencial o residual (RCD). El uso de un RCD reduce el riesgo de descargas eléctricas.

### 3) Seguridad personal

- Manténgase alerta, fíjese en lo que está haciendo y use el sentido común cuando esté utilizando una herramienta eléctrica. No use una herramienta eléctrica si se encuentra cansado o bajo la influencia de drogas, alcohol o medicamentos. Un momento de distracción mientras está utilizando una herramienta eléctrica puede provocar lesiones corporales graves.
- Utilice siempre equipo de protección personal. Use siempre protección ocular. El uso de dispositivos de seguridad personal (máscara antipolvo, calzado de seguridad antideslizante, casco resistente y protecciones auditivas adecuadas) reducirá el riesgo de lesiones corporales.
- Evite el arranque accidental. Asegúrese de que el interruptor esté en la posición de apagado antes de enchufar la herramienta. No transporte herramientas con el dedo en el interruptor o con el interruptor encendido, podría ocurrir un accidente.
- Retire todas las llaves de ajuste antes de encender la herramienta eléctrica. Una llave enganchada en una parte móvil de la herramienta eléctrica puede causar lesiones graves.
- No use adosptes forzadas. Manténgase en posición firme y en equilibrio en todo momento. De este modo, podrá controlar mejor la herramienta eléctrica en situaciones inesperadas.
- Vístase adecuadamente. No lleve ropa holgada ni joyas. Mantenga el pelo, la ropa y guantes alejados de las piezas móviles. La ropa holgada, las joyas o el pelo largo pueden quedar atrapados en las piezas móviles.
- Cuando utilice sistemas de extracción y recolección de polvo, asegúrese de que estén conectados y funcionen correctamente. El uso de estos dispositivos puede reducir los riesgos producidos por la inhalación de polvo.
- Uso y mantenimiento de las herramientas eléctricas
  - No fuerce la herramienta eléctrica. Utilice la herramienta eléctrica de forma adecuada. Utilice su herramienta únicamente para la tarea que haya sido destinada.
  - No use la herramienta eléctrica si el interruptor no la enciende o la apaga. Toda herramienta eléctrica que no se pueda controlar mediante el interruptor es peligrosa y debe ser reparada inmediatamente.
  - Desenchufe la herramienta o retire la batería antes de realizar cualquier ajuste, cambiar accesorios o almacenar la herramienta. Estas medidas de seguridad preventivas evitarán el arranque accidental de su herramienta eléctrica.
  - Guarde siempre las herramientas eléctricas fuera del alcance de los niños. No permita que las personas que no estén familiarizadas con estas instrucciones utilicen la herramienta. Las herramientas eléctricas son peligrosas en manos de personas que no estén capacitadas para su uso.

- Revise regularmente sus herramientas eléctricas. Compruebe que no haya piezas en movimiento mal alineadas o trabadas, piezas rotas o cualquier otro problema que pueda afectar el funcionamiento de la herramienta eléctrica. Si hay alguna pieza dañada, repare la herramienta antes de volver a utilizarla. Muchos accidentes son causados por herramientas eléctricas que carecen de un mantenimiento adecuado.
- Las herramientas de corte deben estar siempre afiladas y limpias. Las herramientas de corte correctamente afiladas son menos propensas a trabarse y son más fáciles de controlar.
- Utilice la herramienta eléctrica y los accesorios siguiendo el manual de instrucciones y teniendo en cuenta las condiciones y el trabajo que necesite realizar. El uso de la herramienta eléctrica con un propósito distinto al cual ha sido diseñada, podría ser peligroso.

**ADVERTENCIA:** Cuando utilice esta herramienta en Australia o Nueva Zelanda, se recomienda conectar esta herramienta en tomas de corriente protegida con dispositivo de protección de corriente diferencial residual de 30 mA o inferior.

### 5) Mantenimiento y reparación

- Repare siempre su herramienta eléctrica en un servicio técnico autorizado. Utilice únicamente piezas de recambio idénticas y homologadas. Esto garantizará un funcionamiento óptimo y seguro de su herramienta eléctrica.

## Contragolpe: Instrucciones de seguridad

- El contragolpe es una reacción repentina causada por una hoja apresada, atascada o mal alineada, que hace que la sierra se levante de manera incontrolada hacia arriba por encima de la pieza de trabajo hacia el usuario.
- Cuando la hoja de la sierra queda atrapada la reacción del motor provocará que la herramienta se dirija violentamente hacia el usuario.
- Un disco de corte doblado o mal alineado con la trayectoria de corte provocará que los dientes de la hoja queden atascados causando la pérdida de control de la herramienta.

El contragolpe es el resultado de un uso incorrecto de la sierra y se puede evitar si toma las precauciones apropiadas de la siguiente manera:

- Agarre firmemente la sierra con ambas manos y coloque sus brazos de forma que pueda contrarrestar la fuerza del contragolpe. Coloque su cuerpo a cada lado de la hoja, pero no en línea con la hoja. El contragolpe de la sierra puede provocar que la sierra salte hacia atrás, sin embargo, si se toman estas precauciones, la fuerza del contragolpe puede ser controlada por el usuario.

**Nota:** No necesitará sujetar la herramienta con ambas manos en sierras circulares con diámetro de disco inferior a 140 mm.

- Cuando la hoja esté atascada, o cuando se interrumpa un corte por cualquier razón, suelte el gatillo y mantenga la sierra inmóvil en la pieza de trabajo hasta que la hoja se detenga por completo. No intente retirar la sierra de la pieza de trabajo o tirar de la sierra hacia atrás mientras la hoja esté en movimiento. Intente buscar y corregir el problema.
- Al reiniciar una sierra en un corte incompleto, centre la hoja de la sierra en el corte y asegúrese de que los dientes de la sierra no están atascados con el material. Si la hoja de sierra está atascada, es posible que salga impulsada hacia arriba o que se produzca un retroceso con respecto a la pieza.
- Coloque soportes bajo grandes paneles en ambos lados, cerca de la línea del corte, y cerca del borde del panel para evitar la deformación. Esto minimizará el riesgo de contragolpe y de que la hoja quede apresada.
- No utilice hojas poco afiladas o que estén dañadas. Las hojas mal afiladas o mal ajustadas producen cortes estrechos, causando una fricción excesiva, atasco de la hoja y el contragolpe.
- Las palancas de bloqueo de la profundidad de corte y del ajuste de desplazamiento deben estar firmes y seguras antes de realizar un corte. Si el ajuste de la hoja se bisela durante el corte, puede causar atasco y por consecuencia un contragolpe.
- Tenga mucho cuidado al hacer un "corte profundo" en las paredes existentes u otros puntos ciegos. La hoja que puede cortar objetos que podrían producir un contragolpe. Compruebe que el protector inferior se cierra con seguridad antes de cada uso. No haga funcionar la sierra si el protector inferior no se mueve libremente y cierra al instante. Nunca deje el protector en posición abierta.
- Compruebe el funcionamiento del muelle del protector inferior. Si el protector y el muelle no funcionan correctamente, deben ser reparados antes de su uso. Es posible que el protector inferior pueda funcionar con lentitud debido a las piezas dañadas, depósitos pegajosos, o una acumulación de aserrín.
- El protector inferior debe retraerse manualmente solamente para cortes especiales, tales como los "cortes profundos" y cortes compuestos (de ingletes biselados). Levante el protector inferior al plegar la manija y tan pronto como la hoja entre en contacto con el material, el protector inferior deberá ser liberado. Para todos los otros tipos de aserrado, el protector inferior debe funcionar automáticamente.
- Asegúrese siempre de que el protector inferior esté cubriendo la hoja antes de bajar la sierra. Una hoja sin protección, que se desliza, hará que la sierra se impulse hacia atrás, cortando todo lo que encuentre a su paso. Tenga en cuenta el tiempo que tarda la hoja en detenerse después de haber apretado y soltado el interruptor. No utilice discos abrasivos, al hacerlo, se anulará automáticamente la garantía.
- Retire la cuña de separación de la sierra antes de realizar cortes de incisión. La cuña de separación puede causar el contragolpe. Vuelva a colocar la cuña de separación antes de realizar un corte de incisión. Las sierras circulares con cuñas de separación permanentes NO son compatibles para cortes de incisión.

## Instrucciones de seguridad para sierras circulares

**ADVERTENCIA:** Antes de conectar esta herramienta a la red eléctrica, asegúrese de que la tensión eléctrica sea la misma que el especificada en la placa de datos indicada en esta herramienta. No conecte esta herramienta a una fuente con una tensión inadecuada, podría dañar gravemente la herramienta y al usuario. Si tiene alguna duda, no enchufe la herramienta. Utilizar una fuente con un voltaje inferior al valor nominal indicado en la placa de datos será perjudicial para el motor.

**ATENCIÓN:** Mantenga las manos alejadas de la hoja y la trayectoria de corte. Coloque la otra mano en la empuñadura auxiliar o en la carcasa del motor. Asegúrese de que ambas manos estén sujetando la sierra.

**Nota:** No es obligatorio sujetar la herramienta con ambas manos en sierras circulares con diámetro de disco inferior a 140 mm.

**Nunca coloque sus manos por debajo de la pieza de trabajo.** El protector de la hoja solo puede proteger sus manos en la parte superior de la pieza de trabajo.

**Ajuste la profundidad de corte según el grosor de la pieza de trabajo.** Solamente la mitad de un diente de la hoja debe ser visible a través de la parte inferior de la pieza de trabajo.

**Nunca sujete la pieza de trabajo con sus manos o piernas. Sujete la pieza de trabajo en una plataforma estable.** Es importante sujetar la pieza de trabajo correctamente para evitar accidentes y la pérdida de control de la herramienta.

**Sujete siempre la herramienta por las partes aisladas para evitar el riesgo de descargas eléctricas.** El contacto de algunas de las piezas de la herramienta con un cable bajo tensión puede provocar descargas eléctricas.

**Utilice siempre discos de corte con la misma medida y forma que los agujeros de centro.** Los discos de corte que no sean adecuados para esta herramienta girarán excéntricamente, causando la pérdida de control.

**Nunca utilice pernos/arandelas para la hoja que estén dañados o sean incompatibles.** El perno de la hoja y las arandelas han sido diseñados especialmente para su sierra. Para lograr un rendimiento óptimo y garantizar la seguridad durante su funcionamiento.

- No permita que ninguna persona menor de 18 años utilice esta herramienta.
- Use equipo de protección como gafas de seguridad o una visera protectora, protección auditiva, mascarilla contra el polvo y ropa protectora, incluyendo guantes de seguridad.
- Las herramientas eléctricas pueden generar vibraciones y causar enfermedades. Utilice siempre guantes de seguridad para mejorar la circulación sanguínea. Las herramientas eléctricas no deben utilizarse durante largos periodos de tiempo sin descansar.
- Siempre que sea posible, utilice un sistema de extracción de polvo o una aspiradora.
- Asegúrese de que las manos están lejos de la zona de corte y de la hoja de sierra. Mantenga una mano sobre la empuñadura auxiliar, o la cubierta del motor.
- No intente cortar material con un grosor superior al especificado en este manual.
- Asegúrese de que la pieza de trabajo esté sujeta correctamente. Las piezas de trabajo de gran tamaño pueden hacer que la hoja de la sierra se pueda doblar. Deberá colocar siempre algún tipo de soporte debajo de la pieza a cortar, cerca de la línea de corte y del borde del panel.
- Asegúrese de que todos los cables y soportes estén fuera de la trayectoria de corte.
- Sujete siempre la pieza de trabajo sobre una plataforma estable, asegúrese de estar lo más lejos posible y evite que la hoja se doble o pierda el control.
- Colóquese siempre hacia uno de los lados de la sierra.
- Tenga en cuenta que la sierra se proyectará desde la parte inferior de la pieza de trabajo.
- No coloque la mano por debajo de la pieza de trabajo ya que la protección no podrá protegerle de la hoja de sierra.
- Tenga en cuenta el sentido de giro del motor y de la hoja de sierra.
- Inspeccione la pieza de trabajo y retire clavos u otros elementos antes de comenzar el trabajo.
- No intente empujar la sierra hacia los lados cuando esté cortando.
- Si el corte no puede llegar hasta el borde de la pieza de trabajo o la hoja se dobla, deje que se pare completamente y retírela.
- No intente retirar una hoja de sierra atascada sin antes haber desconectado la herramienta.
- No mueva la sierra hacia atrás mientras esté cortando.
- Tenga cuidado con los residuos que puedan ser proyectados. En algunas situaciones, el material puede ser expulsado a gran velocidad. Es responsabilidad del usuario asegurarse de que otras personas no estén situadas cerca de la zona de trabajo.
- Si se le interrumpe mientras trabaja con la sierra, complete el proceso y apague la herramienta antes de realizar otra acción.
- Compruebe que el protector inferior esté correctamente colocado. Nunca utilice la sierra si el protector inferior no funciona adecuadamente. Nunca sujete el protector inferior cuando esté en posición abierta. El protector puede doblarse si la sierra cae al suelo. Levante el protector inferior con la empuñadura retráctil y asegúrese de que se mueva libremente y que no entre en contacto con la hoja.
- Asegúrese de que el protector inferior cubra la hoja antes de utilizar la sierra. No tener la protección colocada podría hacer que la sierra recule y provocar lesiones graves. Tenga en cuenta que el disco seguirá girando durante unos segundos después de soltar el gatillo.
- Compruebe periódicamente que todas las tuercas, pernos y otras fijaciones estén bien apretados.

Esta herramienta sólo debe utilizarse para su finalidad prevista. Cualquier uso distinto a los mencionados en este manual se considerará un uso incorrecto. El usuario y no el fabricante será el responsable de cualquier daño o lesión causados por un uso incorrecto. El fabricante no se hace responsable de ningún daño causado por la modificación de este producto.

## Características del producto

1	Salida de extracción de polvo
2	Empuñadura principal
3	Interruptor de encendido/apagado
4	Empuñadura frontal
5	Indicador del sentido de la hoja
6	Tornillo de seguridad de la hoja (con brida)
7	Placa de base
8	Guía paralela
9	Llave hexagonal
10	Escobillas de carbón de repuesto
11	Palanca del protector de la hoja
12	Protector de la hoja
13	Perilla de bloqueo del ángulo de bisel
14	Perilla de bloqueo de la guía
15	Escala de bisel
16	Palanca del bloqueo del husillo
17	Acceso a las escobillas de carbón
18	Botón de bloqueo de seguridad
19	Escala de profundidad
20	Palanca de bloqueo de profundidad

## Aplicaciones

Sierra circular eléctrica para trabajos ligeros y medianos. Permitir realizar cortes rectos y a bisel en maderas blandas y duras, tablonos y paneles de madera.

**ADVERTENCIA:** Esta herramienta está diseñada para cortar madera, tableros DM, aglomerado y materiales similares. NUNCA utilice esta herramienta para cortar metal o maderas con clavos.

## Desembalaje

Desembale e inspeccione la herramienta con cuidado. Familiarícese con todas sus características y funciones. Asegúrese de que el embalaje contiene todas las partes y que están en buenas condiciones. Si faltan piezas o están dañadas, sustitúyalas antes de utilizar esta herramienta.

## Antes de usar

**ADVERTENCIA:** Desconecte siempre la sierra de la toma de corriente antes de realizar ajustes o cambiar cualquier accesorio.

## Salida de extracción de polvo

- Para mantener un entorno de trabajo limpio y seguro, conecte la salida de extracción de polvo (1) a un sistema de extracción de polvo o una aspiradora.

### Notas:

- Antes de utilizar esta herramienta, se recomienda practicar con un trozo de material desechable. Los ajustes correctos de esta herramienta serán cruciales para conseguir un acabado de buena calidad. Utilizar ajustes incorrectos podría dañar seriamente la pieza de trabajo.
- El disco de corte suministrado viene prefijado en la herramienta. Asegúrese de que el tornillo de seguridad de la hoja (6) esté apretado antes del primer uso.



## Instalación y sustitución de la hoja

⚠ **ADVERTENCIA:** Lleve SIEMPRE guantes de protección resistentes a los cortes cuando maneje discos de corte.

- Compruebe SIEMPRE que la hoja sea adecuada para tipo de material que vaya a cortar.
  - SOLO instale las hojas que se encuentren en perfectas condiciones. No utilice nunca hojas que estén desafiladas, dobladas o agrietadas.
1. Empuje la palanca de bloqueo del husillo (16) hacia delante y gire el disco con las manos hasta bloquear el husillo.
  2. Retire el tornillo de seguridad de la hoja (6) utilizando la llave hexagonal (9) suministrada.
  3. Suelte la palanca de bloqueo del husillo y retire el tornillo de seguridad de la hoja y la brida
  4. Utilice la palanca del protector de la hoja (11) para desplazar el protector de la hoja (12) y sacar el disco.
  5. Coloque el disco de corte nuevo y asegúrese de que el sentido de rotación sea el mismo que el del indicador de sentido de la hoja (5).
  6. Vuelva a colocar la brida colocando la parte plana en el husillo. A continuación, introduzca el tornillo de seguridad de la hoja.
  7. Presione la palanca de bloqueo del husillo y apriete el tornillo de seguridad de la hoja utilizando la llave hexagonal.
  8. Suelte la palanca de bloqueo del husillo y compruebe que la hoja está correctamente instalada.

## Ajuste del ángulo de bisel

**Nota:** La placa de base (7) de esta sierra se puede inclinar para realizar cortes a bisel.

- Para ajustar el ángulo de inclinación de la base.
1. Afloje la perilla de bloqueo del ángulo de bisel (13). Ahora podrá ajustar la inclinación de la base.
  2. Seleccione el ángulo requerido (0 - 45°) utilizando la escala de bisel (15).
  3. Vuelva a apretar la perilla de bloqueo del ángulo de bisel.

**Nota:** Para mayor precisión, utilice un transportador para verificar el ángulo entre la hoja y la base.

## Ajuste de profundidad de corte

**Nota:** Esta sierra esta dispone de mecanismo para ajustar la profundidad de corte.

- Para ajustar la profundidad de corte:
1. Afloje la palanca de ajuste de profundidad (20) empujándola hacia delante. Ahora la placa de base (7) se podrá ajustar a la profundidad requerida.
  2. Ajuste la placa de base a la profundidad requerida utilizando la escala de profundidad (19) o una regla.
  3. Vuelva a apretar la palanca de ajuste de profundidad para bloquear la placa de base en la posición requerida.

**Nota:** Una vez que esté correctamente ajustada, los dientes del disco no deberían sobresalir más de 3 mm sobre la parte inferior de la pieza de trabajo.

## Funcionamiento

### Funcionamiento de la sierra circular

- Sujete SIEMPRE la sierra por ambas empuñaduras con las dos manos.
- Asegúrese SIEMPRE de que la hoja se haya detenido completamente antes de dejar la herramienta.
- Desconecte siempre la herramienta cuando vaya a estar desatendida.
- Asegúrese siempre de que la pieza de trabajo no se mueva mientras está cortando. Utilice abrazaderas siempre que sea necesario.

### Realizar un corte

1. Sostenga bien la sierra y apoye el borde delantero de la placa de base (7) en el borde de la pieza de trabajo.
2. Compruebe que la hoja no esté en contacto con la pieza de trabajo o cualquier otro objeto.
3. Para encender la herramienta, presione el botón de bloqueo de seguridad (18) y apriete el interruptor de encendido/apagado (3).
4. Deje que el motor alcance la velocidad máxima y empuje la sierra suavemente hacia delante a través de la pieza de trabajo.
5. Mantenga un movimiento constante, asegurándose de que la placa de base haga presión sobre la pieza de trabajo.

**Nota:** Utilice la muesca de guía del borde delantero de la placa base para alinear el corte. Para corte normal, debe alinear la muesca marcada "0" con la línea a cortar. Para cortes biselados a 45°, debe alinear la muesca marcada "45" con la línea a cortar.

6. Deje que la hoja pase a través del material hasta el final de recorrido y suelte el interruptor de encendido/apagado (3). Alternativamente, si desea que el corte no alcance el borde de la pieza de trabajo, suelte el interruptor de encendido/apagado (3) y deje que la hoja se para por completo antes de levantarla y sacarla de la línea de corte.

**ADVERTENCIA:** NUNCA deje la herramienta hasta que la hoja se haya detenido por completo.

## Uso de la guía paralela

1. Cuando trabaje en paralelo a un borde, deberá utilizar la guía paralela (8) para guiar la sierra durante el corte.
2. Coloque la guía paralela a la placa de base (7) y fjela mediante la perilla de bloqueo de la guía (14). Asegúrese de que la guía está sujeta con seguridad antes de empezar el corte.
3. La posición de la guía paralela puede ajustarse para adecuarse a diferentes tareas.
4. Para seguir un borde mantenga la parte vertical de la guía presionando el borde vertical de la pieza de trabajo.

## Accesorios

Existen gran variedad de accesorios, discos de cortes y guías para esta herramienta disponibles en su distribuidor Silverline más cercano o a través de [www.toolsparonline.com](http://www.toolsparonline.com)

## Mantenimiento

**ADVERTENCIA:** Desconecte siempre la herramienta de la red eléctrica antes de realizar cualquier tarea de mantenimiento o limpieza.

### Limpieza

**ADVERTENCIA:** Utilice SIEMPRE guantes y protección ocular cuando limpie esta herramienta.

- Mantenga la herramienta siempre limpia. La suciedad y el polvo pueden dañar y reducir la vida útil su herramienta.
- Utilice un cepillo suave o un paño seco para limpiar la herramienta.
- Nunca utilice agentes cáusticos para limpiar las piezas de plástico. Se recomienda utilizar un paño humedecido con un detergente suave.
- Nunca deje que el agua entre en contacto con la herramienta.
- Asegúrese de que la herramienta esté completamente seca antes de utilizarla.
- Si dispone de un compresor de aire comprimido, sople con aire seco y limpio para limpiar los orificios de ventilación.

## Sustitución de las escobillas

- Con el tiempo, las escobillas de carbono del motor se desgastarán.
- Si las escobillas se han desgastado excesivamente, el rendimiento del motor puede disminuir, la herramienta tal vez no arranque o quizás observe una excesiva presencia de chispas.
- Para sustituir las escobillas, retire las tapas de acceso a las escobillas (17) situadas en cada lado de la herramienta. Retírelas y sustitúyalas por unas nuevas. Vuelva a colocar las tapas de las escobillas. Si tiene dudas sobre como sustituir las escobillas, lleve la herramienta a un servicio técnico autorizado.

## Contacto

Servicio técnico de reparación - Tel: (+44) 1935 382 222

Web: [www.silverlinetools.com/es-ES/Support](http://www.silverlinetools.com/es-ES/Support)

**Dirección:**  
Toolstream Ltd.  
Boundary Way  
Lufton Trading Estate  
Yeovil, Somerset  
BA22 8HZ, Reino Unido

## Almacenaje

- Guarde esta herramienta y accesorios en un lugar seco y seguro fuera del alcance de los niños.

## Reciclaje

Deshágase siempre de las herramientas eléctricas adecuadamente respetando las normas de reciclaje indicadas en su país.

- No deseche las herramientas y aparatos eléctricos junto con la basura convencional. Recíclelos siempre en puntos de reciclaje.
- Póngase en contacto con la autoridad local encargada de la gestión de residuos para obtener más información sobre cómo reciclar este tipo de herramientas correctamente.



## Garantía

### Este producto Silverline dispone de una garantía de 3 años.

Para obtener la garantía de 3 años, deberá registrar el producto en [www.silverlinetools.com](http://www.silverlinetools.com) antes de que transcurran 30 días. El periodo de garantía será válido desde la fecha indicada en su recibo de compra.

### Registro del producto

Visite: [silverlinetools.com](http://silverlinetools.com), seleccione el botón de registro e introduzca:

- Sus datos personales
- Detalles del producto e información de compra

El certificado de garantía le será enviado en formato PDF. Imprímalo y guárdelo con el producto.

## Condiciones

El periodo de garantía entra en vigor a partir de la fecha indicada en el recibo de compra.

### GUARDE EL RECIBO DE COMPRA

Si el producto se ha averiado antes de que transcurran 30 días desde la fecha de compra, deberá devolverlo a su lugar de compra, junto con el recibo de compra y los detalles de la avería. En este caso, le sustituiremos el producto o le reembolsaremos el importe.

Si el producto se ha averiado después de que transcurran 30 días desde la fecha de compra, devuélvalo a:

**Servicio Técnico Silverline Tools**

**PO Box 2988**

**Yeovil**

**BA21 1WU, Reino Unido.**

La reclamación siempre debe presentarse durante el periodo de garantía.

Antes de poder realizar cualquier trabajo de reparación, deberá entregar el recibo de compra original en el que se indica la fecha de compra, su nombre, dirección y el lugar donde lo adquirió.

También deberá indicar claramente los detalles del fallo a reparar.

Las reclamaciones presentadas dentro del periodo de garantía deberán ser verificadas por Silverline Tools para averiguar si las deficiencias son consecuencia de los materiales o de la mano de obra del producto.

Los gastos de transporte no son reembolsables. Los productos enviados deben estar limpios y en buenas condiciones para su reparación, deberán empaquetarse cuidadosamente con el fin de evitar que se produzcan daños durante el transporte. Silverline Tools se reserva el derecho a rechazar envíos incorrectos o inseguros.

Todas las reparaciones serán realizadas por Silverline Tools o por un servicio técnico autorizado.

La reparación o sustitución del producto no prolongará el periodo de garantía.

Si la avería está cubierta por la garantía, la herramienta será reparada sin cargo alguno (salvo los gastos de envío), o bien la sustituiremos por una herramienta en perfecto estado de funcionamiento.

Las herramientas o piezas que hayan sido sustituidas serán propiedad de Silverline Tools.

La reparación o sustitución del producto bajo garantía aporta beneficios adicionales a sus derechos legales como consumidor, sin afectarlos.

### Qué está cubierto:

Silverline Tools deberá comprobar si las deficiencias se deben a materiales o mano de obra defectuosos dentro del periodo de garantía.

En caso de que cualquier pieza no estuviera disponible o estuviera fuera de fabricación, Silverline Tools la sustituirá por una pieza funcional con las mismas características.

Uso del producto en la Unión Europea.

### Qué no está cubierto:

Silverline Tools no garantiza las reparaciones causadas por:

Desgaste normal por uso adecuado de la herramienta, por ejemplo hojas, escobillas, correas, bombillas, baterías, etc...

La sustitución de cualquier accesorio suministrado: brocas, hojas, papel de lija, discos de corte y otras piezas relacionadas.

Daño accidental, averías debidas a uso o cuidado negligente, uso incorrecto, negligencia, funcionamiento o manejo indebido del producto.

Utilizar del producto para una finalidad distinta.

Cualquier cambio o modificación del producto.

El uso de piezas y accesorios que no sean recambios originales de Silverline Tools.

Instalación incorrecta (excepto si fue realizada por Silverline Tools).

Reparaciones o alteraciones realizadas por servicios técnicos no autorizados por Silverline Tools.

Las reclamaciones distintas a las indicadas en las presentes condiciones de garantía no estarán cubiertas.

## Introduzione

Grazie per aver acquistato questo utensile Silverline. Queste istruzioni contengono informazioni utili per il funzionamento sicuro ed affidabile del prodotto. Per essere sicuri di utilizzare al meglio il potenziale dell'utensile si raccomanda pertanto di leggere a fondo questo manuale. Conservare il manuale in modo che sia sempre a portata di mano e accertarsi che l'operatore dell'elettro utensile lo abbia letto e capito a pieno.

## Descrizioni dei simboli

La targhetta sul vostro utensile può mostrare simboli. Questi rappresentano informazioni importanti riguardanti il prodotto o istruzioni sul suo utilizzo.



Indossare la protezione acustica  
Indossare occhiali di protezione  
Indossare una protezione per la respirazione  
Indossare il casco



Indossare la protezione delle mani



Leggere il manuale di istruzioni



### Protezione Ambientale

Gli apparecchi elettrici non devono essere smaltiti con i rifiuti domestici. Riciclare dove esistono strutture. Verificare con le autorità locali o con il vostro rivenditore per un consiglio sul riciclaggio.



Conforme alla legislazione e alle norme di sicurezza



Classe II di costruzione (doppio isolamento per la protezione supplementare)



Attenzione!

## Abbreviazioni tecniche

V	Volt
~	Corrente alternata
A	Ampere
$n_0$	Velocità a vuoto
Hz	Hertz
W, kW	Watt, kilowatt
/min or min <sup>-1</sup>	(rivoluzioni o reciprocità) al minuto

## Specifiche tecniche

Tensione:	230 V~ 50 Hz
Potenza:	1200 W
Velocità a vuoto:	5500 min <sup>-1</sup>
Dimensioni lama (max):	185 mm
Diametro foro:	20 mm
Lama in dotazione:	Ø185 x ø20 x 2,5mm x 24T
Profondità max di taglio:	63 mm (90 °)
	37 mm (45 °)
Gamma a smusso:	0-45 °
Protezione d'ingresso:	IP20
Classe di protezione:	II
Dimensioni (LxWxH):	330 x 240 x 250 mm
Peso:	3,75 kg

Come parte del nostro continuo sviluppo dei prodotti, le specifiche dei prodotti Silverline possono variare senza preavviso.

### Informazioni sul suono e sulle vibrazioni:

Pressione sonora $L_{pA}$ :	91 dB (A)
Potenza sonora $L_{WA}$ :	102 dB (A)
Tolleranza K:	3 dB (A)
Vibrazione ponderata $a_{hv}$ :	CHeq (impugnatura principale) 3,14 m/s <sup>2</sup>
Tolleranza K:	1,5 m/s <sup>2</sup>

Il livello di intensità del suono per l'operatore può superare i 85 dB (A) e le misure di protezione del suono sono necessari.

**ATTENZIONE:** Indossare sempre protezioni per le orecchie, dove il livello sonoro supera i 85 dB (A) e limitare il tempo di esposizione, se necessario. Se i livelli sonori sono scomodi, anche con la protezione per le orecchie, smettere di usare lo strumento immediatamente e controllare la protezione acustica sia montata correttamente e fornisce il corretto livello di isolamento acustico per il livello del suono prodotto dal vostro strumento.

**ATTENZIONE:** l'esposizione dell'utente alle vibrazioni dello strumento può causare la perdita del senso del tatto, intorpidimento, formicolio e riduzione della capacità di presa. Esposizione a lungo termine può portare ad una condizione cronica. Se necessario, limitare la lunghezza del tempo esposti a vibrazioni e utilizzare guanti anti-vibrazione. Non utilizzare lo strumento con le mani sotto ad una temperatura normale comoda, siccome le vibrazioni avranno un effetto maggiore. Utilizzare i dati forniti nella specifica relativa alle vibrazioni per calcolare la durata e la frequenza di funzionamento dello strumento.

I livelli sonori e le vibrazioni nella specifica sono determinati seguendo gli standard internazionali. Le figure rappresentano un normale utilizzo per l'utensile in normali condizioni di lavoro. Un utensile tenuto in cattive condizioni, montato in modo errato o utilizzato in maniera impropria può essere causa di un aumento dei livelli sonori e delle vibrazioni. [www.osha.europa.eu](http://www.osha.europa.eu) fornisce informazioni sui livelli sonori e delle vibrazioni nei luoghi di lavoro utili agli utenti domestici che utilizzano utensili per lunghi periodi di tempo.

## Norme generali di sicurezza

**AVVERTENZA:** Leggere ed assimilare tutte le istruzioni. La non osservanza delle seguenti istruzioni può causare scosse elettriche, incendi e/o lesioni gravi.

**ATTENZIONE:** Questo apparecchio non è destinato all'uso da parte di persone (inclusi i bambini) con capacità ridotta, fisico o mentali o con mancanza di esperienza o di conoscenza, a meno che non siano controllati e istruiti all'uso dell'apparecchio da una persona responsabile della loro sicurezza. I bambini devono essere sorvegliati per assicurarsi che non giochino con l'apparecchio.

Conservare tutte le avvertenze di pericolo e le istruzioni operative per ogni esigenza futura.

Il termine "elettroutensile" si riferisce all'utensile a rete fissa (con filo) o un utensile a batteria (senza filo).

### 1. Area di lavoro.

- Mantenere l'area di lavoro pulita e adeguatamente illuminata. Il disordine e le zone di lavoro non illuminate possono essere fonte di incidenti.
- Non usare gli elettroutensili in presenza di atmosfere esplosive, come liquidi, gas e polveri infiammabili. Gli elettroutensili producono scintille che potrebbero accendere le polveri o i fumi.
- Tenere altre persone e i bambini a distanza di sicurezza durante l'impiego dell'utensile elettrico. Eventuali distrazioni potrebbero far perdere il controllo dell'utensile all'operatore.

### 2. Sicurezza elettrica

- Le spine degli elettroutensili devono essere compatibili con le prese di corrente. Non modificare in alcun modo la spina dell'elettroutensile. Non usare adattatori con gli elettroutensili dotati di collegamento di messa a terra. L'uso delle spine originali non modificate e delle prese corrispondenti ridurrà il rischio di scosse elettriche.
- Evitare il contatto del corpo con le superfici collegate a massa come i tubi, i radiatori, le cucine e i frigoriferi. Se il corpo dell'operatore è collegato alla terra o alla massa il rischio di scosse elettriche è maggiore.
- Non esporre gli elettroutensili alla pioggia e non lasciarli in ambienti umidi o bagnati. L'ingresso dell'acqua in una macchina utensile aumenta il rischio di scosse elettriche.
- Non usare il cavo in modo improprio. Non afferre mai il cavo per trasportare, tirare o staccare l'elettroutensile dalla presa di corrente. Tenere il cavo lontano da fonti di calore, olio, e sostanze affini, bordi appuntiti o parti in movimento. I cavi danneggiati o attorcigliati aumentano il rischio di scosse elettriche.
- Qualora si voglia usare l'utensile all'aperto, usare cavi di prolunga compatibili con l'uso in ambienti esterni. Un cavo idoneo all'uso in ambienti esterni riduce il rischio di scosse elettriche.
- Se l'utilizzo di un elettroutensile in ambiente umido è inevitabile, utilizzare una fonte di alimentazione protetta da un dispositivo differenziale. L'uso di un dispositivo differenziale riduce notevolmente il rischio di scosse elettriche.

**NB:** Il termine "dispositivo di corrente residua (RCD)" può essere sostituito dal termine "circuito di guasto a terra (GFCI) "o" dispersione a terra interruttore (ELCB) ".

### 3. Sicurezza personale

- Quando si usa un elettroutensile lavorare sempre con la massima attenzione e concentrazione, lasciandosi guidare dal buon senso. Non usare mai un elettroutensile quando si è stanchi o sotto l'effetto di medicinali e/o sostanze alcoliche o stupefacenti. Quando si usa un elettroutensile un attimo di distrazione è sufficiente a causare gravi lesioni alle persone.
- Usare dispositivi per la protezione personale. Indossare sempre protezioni per gli occhi. I dispositivi per la sicurezza personale, come le mascherine antipolvere, le calzature di sicurezza antiscivolo, il casco e la cuffia, se usati in maniera appropriata, riducono i rischi di lesioni alle persone.
- Evitare l'avviamento accidentale. Garantire che l'interruttore è in posizione arresto (OFF) prima di attaccare la presa. Trasportare gli elettroutensili con il dito al di sopra dell'interruttore o attaccando l'elettroutensile con l'interruttore acceso, aumenta il rischio di accidenti.
- Ritornare tutte le chiavi di regolazione e le chiavi inglesi prima di accendere l'elettroutensile. Una chiave inglese o una chiave di regolazione collegata a una parte in movimento dell'elettroutensile potrebbe causare lesioni alle persone.
- Non andare oltre l'altezza consentita. In qualsiasi momento mantenere i piedi poggiati su superfici solide e un punto di appoggio sicuro. Un buon equilibrio consente di avere il massimo controllo sull'elettroutensile nelle situazioni inaspettate.
- Vestirsi con abbigliamento adeguato. Non indossare abiti larghi o gioielli. Tenere i capelli, vestiti e guanti lontano da parti in movimento.
- Se il dispositivo utilizzato è dotato di bocchetta per l'aspirazione della polvere accertarsi che sia collegato e utilizzato correttamente. L'uso di tali dispositivi riduce i rischi correlati alle polveri.

### 4. Maneggio ed impiego accurato di utensili elettrici

- Non forzare l'elettroutensile. Usare sempre l'elettroutensile corretto per il lavoro da eseguire. L'elettroutensile corretto sarà in grado di svolgere il lavoro in modo più efficiente e sicuro nell'ambito della gamma di potenza indicata.
- Non usare l'elettroutensile se l'interruttore di accensione non si accende e si spegne. Gli elettroutensili con un interruttore di accensione difettoso sono pericolosi e devono essere riparati immediatamente.
- Staccare la spina dalla presa di corrente prima di effettuare qualsiasi regolazione, sostituire gli accessori o riporre gli attrezzi a motore. Queste misure di sicurezza preventive riducono il rischio di avvio involontario.
- Conservare l'elettroutensile fuori dalla portata dei bambini e non lasciare che venga utilizzato da persone non adeguatamente addestrate e competenti nell'uso degli elettroutensili o che non

abbiano letto questo manuale di istruzioni. Gli elettroutensili diventano estremamente pericolosi nelle mani di persone non addestrate.

- Mantenere gli elettroutensili. Controllare per disallineamento o la legatura delle parti in movimento, la rottura di parti e altre condizioni che possono influire il funzionamento dell'apparecchio. In caso di danneggiamento, fare riparare prima dell'uso. Molti incidenti sono causati da una scarsa manutenzione dell'utensile.
- Mantenere le lame pulite e affilate. Gli utensili da taglio tenuti in buone condizioni operative e con i bordi taglianti affilati sono meno soggetti a bloccarsi e più facili da controllare.
- Utilizzare l'elettroutensile e tutti i componenti e gli accessori in conformità con le istruzioni di questo manuale e nella maniera prevista per ciascun tipo di utensile, tenendo conto delle condizioni lavorative e del compito da eseguire. L'utilizzo degli elettroutensili per fini diversi da quelli previsti rappresenta un rischio per le persone.

**AVVERTENZA:** Quando utilizzato in Australia o in Nuova Zelanda, si raccomanda che questo strumento viene sempre fornito con dispositivo di corrente residua (RCD) con una corrente differenziale nominale di 30 mA o meno.

### 5. Assistenza

- Qualsiasi intervento sull'elettroutensile deve essere eseguito da personale qualificato utilizzando unicamente pezzi di ricambio compatibili e approvati. Ciò garantisce la sicurezza dell'utensile elettrico.

## Prevenzione contraccollo e la sicurezza dell'operatore:

- Contraccollo è una reazione improvvisa da una lama di sega pizzicata, legata o disallineata, che causando una sega incontrollata di sollevarsi al di fuori il pezzo di lavoro verso l'operatore.
- Quando la lama è grippata o bloccata ferma dalla fessura di taglio, la lama si stalla e la reazione del motore aziona l'unità rapidamente verso l'operatore;
- Se la lama si storce o si disallinea nel taglio, i denti del bordo posteriore della lama possono scavare la superficie superiore del legno causando la lama di uscire dal taglio ed saltare indietro verso l'operatore
- Il contraccollo è il risultato di un uso improprio della sega e / o procedure o condizioni operative errate e possono essere evitate adottando precauzioni come segue.

- Mantenere una salda presa con entrambe le mani sulla sega e posizionare le braccia per resistere alle forze del contraccollo. Posizionare il corpo a entrambi i lati della lama, ma non in linea con la lama. Contraccollo potrebbe causare la sega a saltare indietro, tuttavia, se sono prese precauzioni, forze di contraccollo possono essere controllate dall'operatore.

**NB:** Per seghe circolari da 140 mm o lame di diametro più piccolo, le parole "con entrambe le mani" possono essere omessi.

- Quando la lama si attacca, o quando si interrompe un taglio per qualsiasi motivo, rilasciare il grilletto e tenere la sega nel pezzo fino a quando la lama si ferma completamente. Non tentare di rimuovere la sega dal lavoro o tirare la sega all'indietro mentre la lama è in movimento. Indagare e intraprendere azioni correttive per eliminare la causa del blocco della lama.
- Quando si riavvia una sega all'interno di un taglio incompleto, centrare la lama nel taglio e controllare che i denti della sega non siano ingaggiati nel materiale. Una lama di sega rilegata può "spingere verso l'alto" o causare un contraccollo dal pezzo quando lo strumento viene riavviato.
- Sostenere grandi pannelli per ridurre al minimo il rischio di pizzo della lama e contraccoli. Pannelli di grandi dimensioni tendono a incurvarsi sotto il proprio peso. Supporti devono essere posizionati sotto il pannello su entrambi i lati, vicino alla linea di taglio e vicino il bordo del pannello
- Non utilizzare lame danneggiate o rovinose. Lame affilate o non correttamente impostate producono un taglio stretto, causando eccessivo attrito, inceppamento della lama e un contraccollo.
- Profondità della lama e le leve di blocco regolazione devono essere ristrette e sicure prima di effettuare un taglio. Se la regolazione della lama si sposta durante il taglio, potrebbe causare un attacco e contraccoli.
- Prestare particolare attenzione quando si effettua un 'taglio a immersione' in pareti esistenti o altre aree cieche. La lama sporgente potrebbe tagliare oggetti che causano contraccoli.
- Controllare la guardia inferiore prima di ogni utilizzo e non usare se non si chiude liberamente, in modo che la lama non tocchi nessuna parte della guardia o strumento in tutte le angolazioni e profondità di taglio. Non bloccare la guardia inferiore nella posizione aperta.
- Controllare il funzionamento della guardia inferiore. Se la guardia e la molla non funzionano correttamente, devono essere riparate prima dell'uso. La guardia inferiore può funzionare lentamente a causa di parti danneggiate, depositi gommosi, o un accumulo di detriti.
- La guardia inferiore deve essere retratta manualmente per tagli speciali come "tagli d'immersione" e "tagli composti". Alzare la guardia inferiore dalla maniglia e non appena la lama entra nel materiale, la guardia inferiore deve essere rilasciata. Per tutti gli altri tipi di taglio, la guardia inferiore deve funzionare automaticamente.

- k. Assicurarsi che la guardia inferiore copra la lama prima di mettere giù la sega. Una lama a sostegno non protetta, causerà la sega a 'spingere indietro', tagliando tutto ciò che è nel suo percorso. Siate consapevoli del tempo necessario per la lama a fermarsi dopo che l'interruttore viene rilasciato. Non utilizzare dischi abrasivi, così facendo si annulla la garanzia.
- l. Se una sega circolare dispone di un coltello divisore deve essere rimosso prima del taglio a stantuffo. Un coltello fenditore possa interferire con un taglio a stantuffo causando contraccolpi. Il cuneo deve essere sempre rimontato dopo il taglio a stantuffo. Una sega circolare con un permanente, coltello divisore non rimovibile non è adatto per il taglio a stantuffo.

## Sicurezza supplementare per le seghe circolari

**AVVERTENZE** Prima di collegare uno strumento per una fonte di alimentazione (interruttore di rete presa di alimentazione punto, presa di corrente, ecc) assicurarsi che la tensione è la stessa di quella indicata sulla targhetta dell'utensile. Una fonte di alimentazione con una tensione superiore a quella indicata per lo strumento può causare gravi lesioni per l'utente, e danni allo strumento. In caso di dubbio, non collegare lo strumento. Utilizzando una fonte di alimentazione con una tensione inferiore alla nominale di targa è dannoso per il motore.

⚠ **PERICOLO:** Tenere le mani lontano dalla zona e la lama di taglio. Tenere la seconda mano sul ausiliaria, o carcassa del motore. Se entrambe le mani mantengono la sega, non possono essere tagliate dalla lama.

**NB:** Per seghe circolari da 140 mm o lame di diametro inferiore, il "tenere la mano sulla manopola ausiliaria, o carcassa del motore" può essere omissis.

**Non mettere le mani sotto il pezzo.** La guardia non si può proteggere dalla lama al di sotto del pezzo.

**Regolare la profondità di taglio allo spessore del pezzo.** Meno di un dente completo dei denti lama deve essere visibile al di sotto del pezzo.

**Mai tagliare il pezzo tenendolo in mano o tra le gambe.** Fissare il pezzo ad una piattaforma stabile. È importante sostenere il lavoro correttamente per minimizzare l'esposizione del corpo, lama vincolante, e perdita di controllo.

**Tenere l'utensile per le superfici isolate solo, quando si eseguono operazioni in cui l'utensile da taglio può toccare fili nascosti o il cavo.** Il contatto con un filo "live" anche le parti metalliche esposte dell'utensile elettrico "sotto tensione" potrebbero causare una scossa elettrica all'operatore.

**Quando tagliando, utilizzare sempre un guida parallela o una guida a bordo dritto.** Questo migliora la precisione di taglio e riduce la possibilità di inceppamento della lama.

**Utilizzare sempre lame corrette con dimensione e forma (diamante contro rotondo) dei fori pergolato.** Le lame che non corrispondono agli attrezzi di montaggio della sega verrà eseguito eccentricamente, causando la perdita di controllo.

**Non usare mai rondelle o bulloni della lama danneggiati o errati.** Le rondelle ed i bulloni sono stati progettati appositamente per la motosega, per le prestazioni e la sicurezza di un funzionamento ottimale.

- Non permettere a nessuno di età inferiore ai 18 anni per operare questa sega
- Quando si aziona la sega, utilizzare attrezzature di sicurezza tra cui occhiali di sicurezza, protezioni per le orecchie, mascherina antipolvere e indumenti protettivi, compresi i guanti di sicurezza
- Utensili elettrici portatili possono produrre vibrazioni. Le vibrazioni possono causare malattie. Guanti possono aiutare a mantenere una buona circolazione del sangue nelle dita. Strumenti portatili non devono essere utilizzati per lunghi periodi senza una pausa
- Se possibile, utilizzare un sistema di aspirazione a vuoto per controllare le polveri / rifiuti
- Non tentare di tagliare il materiale più spesso dettagliate nella sezione Specifiche del presente manuale
- Regolare la profondità di taglio allo spessore del pezzo ossia meno di un dente della lama deve essere visibile al di sotto del pezzo
- Assicurarsi che il lavoro è supportato correttamente. I pannelli di grandi dimensioni possono piegarsi sotto il proprio peso e impegnare la lama. Supporti devono essere posizionati sotto il pannello su entrambi i lati, vicino alla linea di taglio e vicino il bordo del pannello
- Verificare che tutti i supporti e cavi di alimentazione sono del tutto liberi del percorso di taglio
- Garantire sempre il pezzo di una piattaforma stabile, garantendo l'esposizione del corpo è ridotto al minimo, evitando vincolante, o la perdita di controllo della lama
- Stare sempre al lato dello strumento durante il funzionamento
- Verificare che la lama proietterà dal lato inferiore del pezzo
- Non raggiungerlo sotto il pezzo in cui la guardia non si può proteggere dalla lama
- Attenzione alla direzione di rotazione del motore e la lama
- Controllare il pezzo e rimuovere tutti i chiodi e altri oggetti incorporati prima di iniziare il lavoro
- Non applicare una forza laterale o torsione alla lama durante il taglio
- Se un taglio non si estende fino al bordo del pezzo, o se la lama lega nel taglio, permettono la lama di venire ad un arresto completo e sollevare la sega dal pezzo
- Non tentare di liberare una lama inceppata prima di scollegare l'apparecchio dalla rete
- Non muovere la sega indietro in qualsiasi momento durante il taglio
- Attenzione ai rifiuti proiettati. In alcune situazioni, il materiale di scarto può essere proiettata a velocità di taglio. È responsabilità dell'utente assicurarsi che altre persone nell'area di lavoro sono protetti dalla possibilità di rifiuti previsto

- Se si viene interrotti quando si utilizza la sega, completare la procedura e spegnere prima di deviare la vostra attenzione
- Controllare la protezione inferiore per la corretta chiusura prima di ogni utilizzo. Non utilizzare la sega se la protezione inferiore non si muove liberamente e chiudere immediatamente. Non serrare mai la protezione inferiore in posizione di apertura. Se la sega è caduta accidentalmente, la guardia inferiore può essere piegata. Sollevare la protezione inferiore con il manico rettangolare e assicurarsi che si muove liberamente e non tocchi la lama o qualsiasi altra parte, in tutti gli angoli e profondità di taglio
- Observare sempre che la protezione inferiore copra la lama prima di appoggiare la motosega su una superficie dopo l'uso. Una lama non protetta può causare la sega di spostarsi all'indietro, tagliando tutto ciò che è nel suo percorso. Essere consapevoli del tempo necessario per la lama di fermarsi dopo che il grilletto viene rilasciato
- Controllare periodicamente che tutti i dadi, bulloni e altri elementi di fissaggio non siano allentati, stringere se necessario

Lo strumento deve essere utilizzato solo per lo scopo previsto. Ogni utilizzo diverso da quello indicato in questo manuale sarà considerato un caso di abuso. L'utente, e non il produttore, saranno responsabili per eventuali danni o lesioni derivanti da tali casi di abuso.

Il produttore non si assume alcuna responsabilità per eventuali modifiche apportate allo strumento né per eventuali danni derivanti da tali modifiche.

Anche quando lo strumento viene utilizzato come prescritto non è possibile eliminare tutti i fattori di rischio residuo.

## Familiarizzazione con il prodotto

1	Presenza estrazione polvere
2	Impugnatura principale
3	Interruttore On / Off
4	Maniglia frontale
5	Indicatore di direzione lama
6	Bullone di fissaggio lama (con flangia)
7	Piastra di base
8	Guida parallela
9	Chiave esagonale
10	Spazzole di carbonio di ricambio
11	Leva di retraction guardia
12	Guardia lama
13	Vite di bloccaggio angolazione a smusso
14	Vite di bloccaggio guida
15	Scala dell'angolo a smusso
16	Leva di bloccaggio mandrino
17	Prese di accesso spazzole
18	Pulsante di sblocco
19	Scala di profondità taglio
20	Leva di bloccaggio profondità

## Uso previsto

Seghe circolari elettrica tenuta a mano per compiti leggeri a media difficoltà come tagli trasversali, longitudinali e taglio conico di materiale di legno morbido e duro e di lamiera.

**ATTENZIONE:** Questa sega circolare è adatta per il taglio del legno, cartongesso, truciolo e solo materiali simili; Non è adatto per il taglio di metallo o legno con chiodi.

## Disimballaggio dello strumento

Disimballare con cura e controllare il vostro strumento. Familiarizzarsi con tutte le sue caratteristiche e funzioni. Assicurarsi che tutte le parti dello strumento sono presenti e in buone condizioni. In caso di parti mancanti o danneggiate, avere tali pezzi sostituiti prima di utilizzare questo strumento.

## Prima dell'uso

**ATTENZIONE:** Scollegare sempre l'apparecchio dalla rete elettrica prima delle rettifiche di montare o smontare qualsiasi accessorio o fare.

### Estrazione della polvere

- Per un ambiente di lavoro più sicuro e più pulito collegare un sistema di aspirazione o aspirapolvere di uso in officina alla presa di estrazione polvere (1)

#### Note:

- Prima di utilizzare la sega, si raccomanda che si pratica su materiale di scarto. Le impostazioni della macchina sono cruciali per raggiungere una finitura di buona qualità, e il vostro lavoro potrebbe essere facilmente danneggiato utilizzando un'impostazione errata
- La lama in dotazione viene fornita pre-montata. Assicurarsi che il bullone di fissaggio lama (6) sia ben stretto prima del primo utilizzo

## Montaggio e rimozione lame

⚠ **ATTENZIONE:** Indossare sempre guanti antitaglio quando si maneggiano lame.

- Controllare sempre la lama che viene montata è adatta per il materiale che si intende tagliare
- Utilizzare solo lame che sono in perfette condizioni. Lame ottuse, piegate, e screpolate devono essere scartate
- 1. Spingere la leva di bloccaggio del mandrino (16) verso l'interno, e girare la lama a mano fino a sentire il bullone del mandrino impegnarsi
- 2. Svitare il bullone di fissaggio della lama (6) in senso antiorario, utilizzando la chiave esagonale in dotazione (9)
- 3. Rilasciare la leva di blocco del mandrino e rimuovere il bullone di fissaggio lama e la flangia della lama
- 4. Utilizzare la leva di retrazione guardia (11) per ruotare la guardia lama (12) via di mezzo, e rimuovere la lama
- 5. Montare la nuova lama, garantendo la freccia sulla lama corrisponde alla direzione indicata dall'indicatore direzione lama(5)
- 6. Rimontare la flangia del disco, garantendo una forma di montaggio sulla parte piatta del mandrino, e rimontare il bullone di fissaggio lama
- 7. Premere la leva di blocco del mandrino e serrare il bullone di fissaggio della lama usando la chiave esagonale
- 8. Rilasciare la leva di blocco del mandrino e garantire che la lama sia sicura prima dell'uso

## Regolazione dell'angolo a smusso

- Questa sega è dotata di base inclinabile (7).
- Per alterare l'angolo della base di appoggio,
- 1. Allentare la vite di blocco angolazione (13). La base di appoggio ora sarà libera di girare
- 2. Selezionare l'angolo richiesto (0-45 °) utilizzando la scala ad angolazione
- 3. Serrare le due viti coniche

**NB:** Per garantire maggiore precisione, si consiglia di controllare l'angolo tra la lama e la base con un goniometro adatto

## Impostazione della profondità di taglio

**NB:** Questa sega è dotata di un meccanismo di regolazione della profondità di taglio

- Per modificare la profondità del taglio,
- 1. Allentare la vite di blocco profondità (20) spingendo in su. La piastra di base (7) è ora libera di essere regolata alla profondità richiesta
- 2. Regolare la base alla profondità richiesta usando la scala di profondità (19) o un righello
- 3. Spingere verso il basso la leva di bloccaggio profondità saldamente, per bloccare la piastra di base in posizione

**NB:** Quando è impostato correttamente, i denti della lama non devono sporgere più di circa 3 mm sotto il pezzo.

## Funzionamento

### Maneggio della sega circolare

- Tenere SEMPRE la sega saldamente con entrambe le mani, mediante le maniglie fornite
- Consentire SEMPRE che la lama raggiunga un arresto completo prima di posarla giù
- Scollegare SEMPRE la macchina se deve essere lasciata incustodita
- Accertarsi SEMPRE che il lavoro non si muoverà mentre essendo tagliato. Utilizzare morse, se del caso

## Effettuando un taglio

1. Tenere saldamente la sega e posizionare l'estremità anteriore della base (7) sul bordo del pezzo in lavorazione.
2. Assicurarsi che la lama non sia a contatto con il pezzo in lavorazione o con altri oggetti.
3. Avviare la macchina premendo il pulsante di blocco (18) e premendo il grilletto di accensione/spengimento (3).
4. Attendere che il motore raggiunga la massima velocità; quindi, spingere con una pressione costante la sega in avanti sul pezzo in lavorazione.
5. Operare con movimenti stabili e uniformi, assicurandosi che la base sia sempre perfettamente aderente al pezzo in lavorazione.

**NB:** Il bordo anteriore della piastra di base dispone di una scanalatura di guida. Per il taglio normale allineare la tacca segnata "0 °" con la linea di taglio prevista; per tagli di 45° allineare la tacca segnata "45 °" con la linea di taglio.

6. Lasciare che la lama penetri nel materiale e rilasciare il pulsante di avviamento. In alternative, se il taglio non raggiunge il bordo del pezzo da lavorare, allentare l'interruttore di accensione e attendere che la lama si fermi prima di sollevare la sega.

**ATTENZIONE:** Non posare la macchina fino a quando la lama non si è completamente arrestata Using the parallel guide fence

- Per l'esecuzione di lavori paralleli ad un bordo, la guida parallela (8) può essere utilizzata per aiutare a guidare la sega
- Collegare la guida parallela alla base (7) e fissarla usando la vite di blocco guida (6). Una volta completata l'installazione, assicurarsi che la guida sia fissata saldamente.
- La guida può essere regolata in varie posizioni, per adeguarsi a vari tipi di compiti.
- Per seguire un bordo, tenere il piede della guida verticale della guida parallela premuto contro il bordo verticale, mentre il taglio viene effettuato

## Accessori

- Una gamma completa di accessori, tra cui lame circolari, bordi dritti e guide a taglio longitudinale è disponibile presso il vostro rivenditore Silverline. Pezzi di ricambio possono essere ottenuti da [tools.paresonline.com](http://tools.paresonline.com)

## Manutenzione

**ATTENZIONE:** Scollegare sempre dalla rete elettrica prima di effettuare qualsiasi operazione di manutenzione o pulizia.

### Pulizia

**ATTENZIONE:** Indossare sempre i dispositivi di protezione, inclusa la protezione degli occhi e guanti durante la pulizia di questo strumento.

- Mantenere lo strumento pulito in ogni momento. Sporizia e polvere possono causare l'usura rapida delle parti interne e ridurre la durata del dispositivo
- Pulire il corpo della macchina con una spazzola morbida o un panno asciutto
- Non utilizzare detergenti caustici per pulire le parti in plastica. Se il lavaggio a secco non è sufficiente, si raccomanda un detergente neutro su un panno umido
- L'acqua non deve mai entrare in contatto con l'utensile
- Assicurarsi che lo strumento sia completamente asciutto prima di utilizzarlo
- Se disponibile, utilizzare aria compressa pulita ed asciutta e soffiarla attraverso i fori di ventilazione (se del caso)

### Spazzole

- Nel tempo le spazzole all'interno potrebbero usurarsi
- Spazzole eccessivamente usurate possono causare la perdita di potere, mancanza intermittente, o visibile scintille
- Per sostituire le spazzole, rimuovere la presa di accesso spazzola (17) da entrambi i lati della macchina. Rimuovere le spazzole usurate e sostituirle con le nuove. Sostituire i tappi di accesso. In alternativa, fate eseguire una manutenzione della macchina presso un centro di assistenza autorizzato Silverline

### Contatti

Per consigli tecnici e per eventuali riparazioni, si prega di contattare il nostro servizio di assistenza telefonico al numero (+44) 1935 382 222

**Pagina web:** [silverlinetools.com/fit-IT/Support](http://silverlinetools.com/fit-IT/Support)

#### Indirizzo:

Toolstream Ltd.  
Boundary Way  
Lufton Trading Estate  
Yeovil, Somerset  
BA22 8HZ, Regno Unito

## Conservazione

- Conservare con cura questo strumento in un luogo sicuro, asciutto, fuori dalla portata dei bambini

## Smaltimento

Rispettare sempre le normative nazionali per lo smaltimento di strumenti elettrici che non sono più funzionali e non sono vitali per la riparazione.

- Non gettare gli elettrodomestici, o altre apparecchiature elettriche ed elettroniche (RAEE), con i rifiuti domestici
- Contattare l'ente locale per lo smaltimento dei rifiuti per informazioni sul modo corretto di disporre di strumenti elettrici



## Garanzia Silverline Tools

### Questo prodotto Silverline è protetto da una garanzia di 3 anni

Per attivare la garanzia di 3 anni è necessario registrare il prodotto sul sito [www.silverlinetools.com](http://www.silverlinetools.com) entro 30 giorni dalla data d'acquisto. La data d'inizio del periodo di garanzia corrisponde alla data d'acquisto riportata sullo scontrino di vendita.

### Registrazione dell'acquisto

Accedere al sito: [silverlinetools.com](http://silverlinetools.com) e selezionare il tasto registra per inserire:

- Dati personali
- Informazioni sul prodotto

Una volta che queste informazioni sono state inserite, il vostro certificato di garanzia sarà inviato per posta elettronica nel formato PDF. Si prega di stampare e conservare il Certificato insieme alla ricevuta d'acquisto.

## Termini e condizioni

Il periodo di garanzia decorre dalla data dell'acquisto presso il rivenditore indicata sulla ricevuta d'acquisto.

### SI PREGA DI CONSERVARE LA RICEVUTA D'ACQUISTO

Nel caso in cui il prodotto risultasse difettoso entro 30 giorni dalla data d'acquisto, sarà necessario restituirlo al punto vendita presso cui è stato acquistato, presentando la ricevuta e spiegando chiaramente la natura del difetto riscontrato. Il prodotto difettoso sarà sostituito o sarà rimborsato l'importo d'acquisto.

Nel caso in cui il prodotto risultasse difettoso dopo 30 giorni dalla data d'acquisto, sarà necessario inviare una richiesta di indennizzo in garanzia a:

**Silverline Tools Service Centre**  
**PO Box 2988**  
**Yeovil**  
**BA21 1WU, GB**

Le richieste di indennizzo devono essere presentate durante il periodo della garanzia.

Affinché la richiesta sia approvata, è necessario presentare anche la ricevuta d'acquisto originale, indicando il luogo e la data dell'acquisto del prodotto e il proprio nome e indirizzo.

Sarà necessario inoltre fornire una descrizione dettagliata del guasto riscontrato.

Le richieste effettuate durante il periodo di garanzia saranno verificate da Silverline Tools per stabilire se il difetto del prodotto è dovuto a problemi di materiali o di lavorazione.

Le spese di spedizione non saranno rimborsate. Tutti i prodotti devono essere spediti puliti e in condizioni tali da garantire l'esecuzione della riparazione in modo sicuro. I prodotti devono essere imballati con cura per evitare danni o lesioni durante il trasporto. Silverline Tools si riserva il diritto di non accettare prodotti spediti in condizioni non idonee o non sicure.

Le riparazioni saranno eseguite da Silverline Tools o da un centro di riparazione autorizzato.

La riparazione o la sostituzione del prodotto non estende o rinnova il periodo di garanzia.

Nel caso in cui determini che il prodotto e il difetto riscontrato sono coperti dalla garanzia, Silverline Tools provvederà a riparare l'utensile

gratuitamente (esclusi i costi di spedizione) o, a propria discrezione, a sostituirlo con un nuovo utensile.

Gli utensili o le parti trattenuti da Silverline Tools in cambio di un prodotto o componente sostitutivo diventano proprietà di Silverline Tools.

La riparazione o la sostituzione di un prodotto in garanzia estende i diritti del consumatore previsti per legge, senza modificarli.

### Cosa copre la garanzia:

La riparazione del prodotto, nel caso in cui Silverline Tools determini che il problema sia dovuto a difetti dei materiali o difetti di lavorazione riscontrati durante il periodo della garanzia.

Nel caso in cui un componente non sia più disponibile o fuori produzione, Silverline Tools si riserva il diritto di sostituirlo con un componente adeguato.

Prodotti acquistati e utilizzati all'interno dell'Unione Europea.

### Cosa non copre la garanzia:

La Garanzia Silverline Tools non copre le riparazioni se il difetto è stato causato da:

La normale usura dei componenti per via dell'utilizzo del prodotto come indicato nelle istruzioni d'uso (ad esempio, lame, spazzole, cinghie, lampadine, batterie, ecc.).

La sostituzione di accessori forniti a corredo, come ad esempio punte, lame, fogli abrasivi, dischi di taglio e altri componenti correlati.

I danni accidentali, causati dall'uso improprio, dall'abuso e dalla manipolazione, conservazione e cura inadeguata dell'utensile da parte del proprietario.

L'uso del prodotto per fini non domestici.

La modifica o alterazione del prodotto.

Difetti causati dall'uso di parti e accessori che non siano componenti originali Silverline Tools.

Installazione difettosa (fatto salvo quando l'installazione viene eseguita da Silverline Tools).

Riparazioni o alterazioni eseguite da terze parti che non siano la Silverline Tools o i centri di riparazione autorizzati da quest'ultima.

Richieste diversi dal diritto alla correzione degli errori con lo strumento denominato in queste condizioni di garanzia non sono coperti dalla garanzia.

## Inleiding

Hartelijk dank voor de aanschaf van dit Silverline gereedschap. Deze instructies bevatten informatie die u nodig hebt voor een veilige en doeltreffende bediening van dit product. Dit product heeft unieke kenmerken. Zelfs als u bekend bent met gelijksoortige producten dient u deze handleiding zorgvuldig door te lezen, zodat u in staat bent alle voordelen te benutten. Houd deze handleiding bij de hand en zorg ervoor dat alle gebruikers van dit gereedschap de handleiding hebben gelezen en volledig hebben begrepen.

## Beschrijving symbolen

Op het gegevensplaatje van uw gereedschap kunnen zich symbolen bevinden. Deze vertegenwoordigen belangrijke productinformatie en gebruiksinstructies.



Draag gehoorbescherming  
Draag een veiligheidsbril  
Draag een stofmasker  
Draag een veiligheidshelm



Draag handschoenen



Lees de handleiding



**Milieubescherming**

Elektrische producten mogen niet met het normale huisvuil worden weggegooid. Indien de mogelijkheid bestaat, dient u het product te recycleren. Vraag de plaatselijke autoriteiten of winkeller om advies betreffende recylen



Voldoet aan de relevante wetgeving en veiligheidsnormen



Beschermingsklasse II (dubbel geïsoleerd)



Voorzichtig!

## Technische afkortingen en symbolen

V	Volt
~	Wisselspanning
A	Ampère
n <sub>b</sub>	Onbelaste snelheid
Hz	Hertz
W, kW	Watt, kilowatt
/min of min <sup>-1</sup>	(Omwentelingen) per minuut

## Specificaties

Spanning: .....	230 V~50 Hz
Vermogen: .....	1200 W
Onbelaste snelheid: .....	5500 min <sup>-1</sup>
Blad diameter: .....	185 mm
Asgat diameter: .....	20 mm
Inbegrepen zaagblad: .....	ø185 x ø20 x 2,5 mm x 24T
Maximale zaagdiepte: .....	.63 mm (90°)
.....	.43 mm (45°)
Verstekhoek: .....	.0-45°
Beschermingsniveau: .....	IP20
Beschermingsklasse: .....	□
Afmetingen L x B x H): .....	330 x 240 x 250 mm
Gewicht: .....	3,75 kg

De geluidsintensiteit voor de bediener kan 85 dB(A) overschrijden en de gehoorbescherming is noodzakelijk.

### Geluid en trilling:

Geluidsdruk L <sub>pd</sub> : .....	91 dB(A)
Geluidsvermogen L <sub>wa</sub> : .....	102 dB(A)
Onzekerheid K: .....	3 dB(A)
Trilling a <sub>h</sub> (hoofdhandvat): .....	CHeq (hoofdhandvat) 3,14 m/s <sup>2</sup>
Onzekerheid K: .....	1,5 m/s <sup>2</sup>

Met het oog op onze aanhoudende productontwikkeling kunnen de specificaties van Silverline producten zonder voorafgaande kennisgeving worden gewijzigd.

**WAARSCHUWING:** Bij een geluidsintensiteit van 85 dB(A) of hoger is het dragen van gehoorbescherming en het limiteren van de blootstellingstijd vereist. Bij oncomfortabel hoge geluidsniveaus, zelfs met het dragen van gehoorbescherming, stopt u het gebruik van de machine onmiddellijk. Controleer de pasvorm en het geluiddempingsniveau van de bescherming.

**WAARSCHUWING:** Blootstelling aan trilling resulteert mogelijk in gevoelloosheid, tinteling en een verminderd gripvermogen. Langdurige blootstelling kan leiden tot chronische condities. Limiteer de blootstellingsduur en draag anti-vibratie handschoenen. Vibratie heeft een grotere invloed op handen met een temperatuur lager dan een normale, comfortabele temperatuur. Maak gebruik van de informatie in de specificaties voor het berekenen van de gebruiksduur en frequentie van de machine.

Geluids- en trillingsniveaus in de specificaties zijn bepaald in overeenstemming met internationale normen. De waarden gelden voor een normaal gebruik in normale werkomstandigheden. Een slecht onderhouden, onjuist samengestelde of onjuist gebruikte machine produceert mogelijk hogere geluids- en trillingsniveaus. [www.osha.europa.eu](http://www.osha.europa.eu) biedt informatie met betrekking tot geluids- en trillingsniveaus op de werkplek wat mogelijk nuttig is voor regelmatige gebruikers van machines.

## Algemene veiligheid voor elektrisch gereedschap

**WAARSchUWING** Lees alle bediening- en veiligheidsvoorschriften. Het niet opvolgen van alle voorschriften die hieronder vermeld staan, kan resulteren in een elektrische schok, brand en/of ernstig letsel.

**WAARSchUWING:** De machine is niet geschikt voor gebruik door personen met een verminderde mentale of fysieke gesteldheid of een gebrek aan ervaring, tenzij de persoon wordt begeleid of geïnstrueerd door een persoon verantwoordelijk voor de veiligheid

**Bewaar deze voorschriften voor toekomstig gebruik.**

De term "elektrisch gereedschap" in alle hieronder vermelde waarschuwingen heeft betrekking op uw elektrische gereedschap dat op de stroom is aangesloten (met een snoer) of met een accu wordt gevoed (snoerloos).

### 1) Veiligheid in de werkruimte

- Houd de werkruimte schoon en zorg voor een goede verlichting.** Rommelige en donkere ruimtes leiden vaak tot ongelukken.
- Werk niet met elektrisch gereedschap in explosieve omgevingen, bijvoorbeeld in de aanwezigheid van ontvlambare vloeistoffen, gasen of stof.** Elektrisch gereedschap brengt vonken teweeg die stof of dampen kunnen doen ontbranden.
- C houd kinderen en omstanders uit de buurt wanneer u elektrisch gereedschap bedient.** Door afleiding kunt u de controle over het gereedschap verliezen.

### 2) Elektrische veiligheid

- De stekkers van het elektrische gereedschap moeten passen bij het stopcontact. Pas de stekker niet aan.** Gebruik geen adapterstekkers bij geaard elektrisch gereedschap. Het gebruik van ongewijzigde stekkers en passende stopcontacten vermindert het risico op een elektrische schok.
- Vermijd lichamelijk contact met geaarde oppervlakken zoals pijpen, radiatoren, fornuizen en koelkasten.** Het risico op een elektrische schok neemt toe als uw lichaam geaard wordt.
- Laat elektrisch gereedschap niet nat worden.** Wanneer elektrisch gereedschap nat wordt, neemt het risico op een elektrische schok toe.
- Beschadig het snoer niet.** Gebruik het snoer nooit om het elektrisch gereedschap te dragen, te trekken of van de stekker uit het stopcontact te trekken. Houd het snoer uit de buurt van hitte, olie, scherpe randen of bewegende delen. Een beschadigde of in de knoop geaarde snoer verhoogt het risico op een elektrische schok toe.
- Wanneer u elektrisch gereedschap buiten gebruikt, maak dan gebruik van een verlengsnoer dat geschikt is voor gebruik buitenshuis om het risico op een elektrische schok te verminderen.**
- f) Indien het onvermijdelijk is elektrisch gereedschap te gebruiken in een vochtige omgeving, gebruik dan een energiebron met een aardlekschakelaar (Residual Currenty Device).** Het gebruik van een RCD vermindert het risico op een elektrische schok.

### 3) Persoonlijke veiligheid

- Blijf alert en gebruik uw gezonde verstand wanneer u elektrisch gereedschap bedient.** Gebruik het elektrisch gereedschap niet wanneer u vermoeid bent of onder invloed bent van drugs, alcohol of medicijnen. Onoplettendheid tijdens het bedienen van elektrisch gereedschap kan leiden tot ernstig letsel.
- Maak gebruik van persoonlijke bescherming. Draag altijd een veiligheidsbril.** Passende bescherming voor de omstandigheden, zoals een stofmasker, niet-slippende veiligheidschoenen en helm of gehoorbescherming, vermindert het risico op persoonlijk letsel.
- Zorg ervoor dat het apparaat niet per ongeluk wordt gestart. Controleer of de schakelaar in de 'uit' stand staat voordat u de stekker in het stopcontact steekt.** Het dragen van elektrisch gereedschap met de schakelaar of het aansluiten op de stroom van elektrisch gereedschap met de schakelaar ingeschakeld kan tot ongelukken leiden.
- Verwijder alle stel- of moersleutels voordat u het elektrische gereedschap inschakelt.** Een moer- of stelsleutel die zich op een draaiend onderdeel van het elektrische gereedschap bevindt, kan leiden tot letsel.
- Reik niet te ver. Blijf altijd stevig en in balans staan.** Zo houdt u meer controle over het elektrische gereedschap in onverwachte situaties.
- Draag geschikte kleding. Draag geen loshangende kleding of sieraden. Houd haren, kleding en handschoenen uit de buurt van bewegende delen.** Loshangende kleding, sieraden en los hangende haren kunnen vast komen te zitten in bewegende delen.
- Als er onderdelen voor stofafvoer- of stofverzamelzak worden meegeleverd, sluit deze dan aan en gebruik deze op de juiste wijze.** Het gebruik van deze onderdelen kan het risico op stof gerelateerde ongelukken verminderen.
- 4) Gebruik en verzorging van elektrisch gereedschap**
  - Forceer elektrisch gereedschap niet.** Gebruik elektrisch gereedschap dat geschikt is voor het werk dat u wilt uitvoeren. Geschikt elektrisch gereedschap werkt beter en veiliger op een passende snelheid.
  - Gebruik het elektrische gereedschap niet als de schakelaar van het apparaat niet in- en uitschakelt.** Elektrisch gereedschap dat niet bediend kan worden met de schakelaar is gevaarlijk en moet gerepareerd worden.
  - Haal de stekker uit het stopcontact voordat u instellingen aanpast, toebehoren verwisselt of het elektrische gereedschap opbergt.** Dergelijke voorzorgsmaatregelen verminderen het risico op het per ongeluk starten van het elektrische gereedschap.
  - Berg elektrisch gereedschap dat niet in gebruik is op een veilig bereik van kinderen en laat mensen die niet bekend zijn met het elektrische gereedschap of met deze instructies het elektrische gereedschap niet bedienen.** Elektrisch gereedschap is gevaarlijk in de handen van onervaren gebruikers.

- e) Onderhoud uw elektrisch gereedschap.** Controleer op foutieve uitlijning of het vastslaan van bewegende delen, gebroken onderdelen en elke andere afwijking die de werking van het elektrische gereedschap zou kunnen beïnvloeden. Indien het elektrische gereedschap beschadigd is, moet u het laten repareren voordat u het gebruikt. Veel ongelukken worden veroorzaakt door slecht onderhouden elektrisch gereedschap.
- f) Houd snijwerkruiten schoon en schoon.** Goed onderhouden snijwerkruiten met scherpe messen slaan minder snel vast en zijn gemakkelijker te bedienen.
- g) Gebruik het elektrische gereedschap, de accessoires en onderdelen, etc. volgens deze instructies en volgens bestemming voor het specifieke type elektrisch gereedschap, en houd daarbij rekening met de werkomstandigheden en het uit te voeren werk.** Gebruik van elektrisch gereedschap voor werkzaamheden die verschillen van die waarvoor het apparaat bestemd is, kan leiden tot gevaarlijke situaties.

**WAARSchUWING:** Bij het gebruik in Australië of Nieuw-Zeeland, is het aanbevolen de machine te allen tijde met gebruik van een aardlekschakelaar met een maximale lekstroom van 30 mA te gebruiken.

### 5) Onderhoud

- Laat uw elektrische gereedschap onderhouden door een gekwalificeerde vakman en gebruik alleen identieke vervangstukken.** Zo bent u er zeker van dat de veiligheid van het elektrische gereedschap gewaarborgd blijft.

## Terugslag

- Terugslag is een plotselinge reactie op een vastlopend, geforceerd of een foute uitlijning van het zaagblad, waardoor de zaag uit het materiaal omhoog, naar de gebruiker wordt geschoten.
- Wanneer het zaagblad plots klem komt te zitten in het werkstuk, schiet de machine in de richting van de gebruiker dankzij de kracht van de motor
- Wanneer het zaagblad gedeeltelijk of fout uitgelijnd in het werkstuk komt te zitten, graven de tanden aan de achterzijde van blad in het werkstukoppervlak waardoor het zaagblad mogelijk uit het werkstuk gedrukt wordt
- Terugslag is het gevolg van misbruik en/of onjuiste gebruikprocedures of -omstandigheden, en kan voorkomen worden door het volgen van de volgende voorzorgsmaatregelen:
  - a. Houd de zaag met beide handen stevig vast en positioneer uw armen zo, dat terugslag tegengewerkt kan worden. Positioneer uw lichaam links een zijkant van de zaag en niet in lijn met het zaagblad.** Door het nemen van de juiste voorzorgsmaatregelen kunnen terugslagkrachten door de gebruiker onder controle gehouden worden

**Let op:** Cirkelzagen met een 140 mm of kleiner diameter zaagblad zijn mogelijk met één hand te bedienen

- b. Wanneer het blad stroef in het materiaal draait of wanneer u tijdens het zagen onderbroken wordt laat u de trekker schakelaar los en houd u de zaag stil in het materiaal tot het blad volledig stil staat. Probeer de zaag nooit uit het materiaal te halen of naar achteren te trekken wanneer het zaagblad roteert.** Neem corrigerende maatregelen om dit te voorkomen
- c. Wanneer de zaag in een onafgemaakte snede herstart wordt, zorg u ervoor dat de zaag recht in de snede ligt en dat de tanden niet in het materiaal grijpen.** Een vastzittend blad kan bij het her starten van de machine omhoog geschoten worden
- d. Een groot werkstuk hoort dicht bij de snede en dicht bij de rand ondersteund te worden om inzinking te voorkomen en de kans op terugslag te minimaliseren.** Grote werkstukken buigen vaak door het gewicht. Ondersteun het werkstuk aan beide zijden van de zaagsnede
- e. Gebruik geen beschadigde of botte bladen.** Deze bladen produceren een smalle nerf wat resulteert in overmatige wrijving, het buigen van zaagbladen en terugslag.
- f. Voor het maken van sneden horen alle verstellende vergrendelingshendels goed vast gezet te worden.** Het bewegen van bladverstellingen kan leiden tot het buigen van bladen en terugslag.
- g. Ben uitermate voorzichtig bij het zagen in muren en andere verborgen gebieden.** Het zaagblad raakt mogelijk verborgen voorwerpen wat kan leiden tot terugslag.
- h. Controleer voor elk gebruik de beschermkap en gebruik de zaag niet wanneer de beschermkap niet vrij sluit.** Zorg ervoor dat het zaagblad in elke hoek en diepte, niet in contact komt met de beschermkap. Vergrendel de beschermkap niet in de open positie.
- i. Controleer de werking van de beschermkapveer. Wanneer de kap en de veer niet juist functioneren, laat u deze voor gebruik repareren.** De beschermkap werkt mogelijk langzaam door beschadigde onderdelen of ophopend zaagsel.
- j. De beschermkap hoort alleen voor speciale sneden handmatig ingetrokken te worden.** Verhoog de beschermkap met behulp van het handvat en laat de kap los wanneer het blad door het materiaal gaat.
- k. Zorg ervoor dat de beschermkap over het zaagblad valt voordat u de zaag neerlegt.** Ben bewust van de benodigde tijd voor het zaagblad om tot volledige stilstand te komen. Gebruik geen schuurschijven. Dit ontkracht de garantie.
- L. Wanneer de machine is voorzien van een spouwmes, dient deze voor het maken van vrijzvalsmeden verwijderd te worden. Een spouwmes hindert bij het maken van een invalsnede wat mogelijk resulteert in terugslag. Een cirkelzaag met een permanent spouwmes dient niet gebruikt te worden voor het maken van een invalsnede**

## Cirkelzaag veiligheid

**WAARSchUWING:** Voordat u de machine op de stroombron aansluit, controleert u of de spanning gelijk is aan de spanning weergegeven op het gegevensplaatje van de laminaatzaag. De aansluiting op een stroombron met een hogere spanning kan resulteren in serieuze verwondingen aan de gebruiker en beschadigingen aan de machine. Een lagere spanning is schadelijk voor de motor. Sluit de machine bij enige twijfel niet aan.

⚠ **GEVAARLIJK: Houdt uw handen uit de buurt van het zaaggebied en het zaagblad. Houd uw 2e hand op het hulphandvat of de behuizing van de machine.** Wanneer u beide handen op de machine heeft kunnen deze niet gezaagd worden door het zaagblad

**Let op:** Cirkelzagen met een 140 mm of kleiner diameter zaagblad zijn mogelijk met één hand te bedienen

**Reik niet onder het werkstuk.** De beschermkap kan uw handen niet beschermen onder het werkstuk

**Pas de zaagdiepte aan, passend bij de dikte van het werkstuk.** Minder dan een volledige tand dient onder het werkstuk zichtbaar te zijn

**Houd het werkstuk tijdens het zagen nooit met de hand vast of steunend op uw benen. Vergrendel het werkstuk op een stevig oppervlak.** Het is belangrijk het werkstuk te ondersteunen om lichaam blootstelling, bladbuiging en controleverlies te voorkomen

**Bij het uitvoeren van een snede waarbij de machine mogelijk in contact komt met stroomvoeren, houd u de machine enkel bij de geïsoleerde handvaten/oppervlakken vast.** Bij het contact met een stroomvoer komen metalen onderdelen van de machine mogelijk onder stroom te staan wat kan resulteren in elektrische schok

**Bij het uitvoeren van schulpsneden is het gebruik van een schulpleider of rechte rand aanbevolen.** Dit verbetert de zaagnauwkeurigheid en verkleint de kans op bladbuiging

**Maakte allen tijde gebruik van zaagbladen met een geschikte afmeting en asgat vorm.** Zaagbladen met een onjuiste bevestigingsvorm roteren onregelmatig wat resulteert in controleverlies

**Maak nooit gebruik van een beschadigde of onjuiste blad-sluitring of bout.** De sluitring en bout zijn speciaal ontworpen voor uw machine, voor optimale prestatie en gebruiksveiligheid

- Laat niemand, jonger dan 18 jaar oud, de zaag gebruiken
- Wanneer u de zaag gebruikt, hoort u te allen tijde bescherming te dragen. Denk hierbij aan een veiligheidsbril, gehoorbeschermers, mondkapje, beschermende kleding en handschoenen
- Elektrisch handgereedschap kan trillingen veroorzaken. Trillingen kunnen ziektes veroorzaken. Handschoenen die de handen van de bediener warmhouden kunnen een goede circulatie van het bloed in de vingers bevorderen. Gebruik handgereedschap niet langdurig zonder onderbreking
- Gebruik wanneer mogelijk een stof onttinningsstelsel om het zaagsel/afval op te vangen
- Zaag geen materiaal, dikker dan beschreven in de specificaties van deze handleiding
- Pas de zaagdiepte, aan de breedte van het werkstuk aan. Minder dan een volledige tandhoogte dient onder het werkstuk uit te komen
- Zorg dat het werkstuk stevig gemonteerd is, en niet te ver uitsteekt over de werkbank om buiging van het zaagblad en controleverlies te voorkomen
- Zorg ervoor dat steunen en stroomvoeren uit de zaag lijn verwijderd zijn
- Zet het werkstuk met een minimale blootstelling op een stabiel platform vast, om het buigen van het zaagblad en controleverlies te voorkomen
- Wanneer u aan het zagen bent, staat u aan de zijkant van het werkstuk
- Het zaagblad steekt onder de tafel uit
- Reik niet onder het werkstuk waar uw handen niet beschermd zijn tegen het zaagblad
- Let op de draairichting van de motor en het zaagblad
- Inspecteer het werkstuk en verwijder alle voorwerpen in de buurt van de zaag voordat u begint met zagen
- Oefen tijdens het zagen geen zijwaartse of draaiende druk op het zaagblad uit
- Wanneer het zaagblad niet tot de volledige breedte van het werkstuk reikt, of wanneer het zaagblad in het werkstuk klemt, laat u de zaag volledig tot stilstand komen voordat u de zaag uit het werkstuk tilt
- Wanneer het zaagblad vast geklemd zit in het werkstuk hoort u de machine uit te schakelen voordat u het blad los probeert te krijgen
- Beweeg de zaag niet naar achter tijdens het zagen van een werkstuk
- Kijk uit voor rondvliegend zaagafval. Het is de gebruikers verantwoordelijkheid omstanders te beschermen tegen rondvliegend zaagafval
- Wanneer u onderbroken wordt tijdens het zagen, maak de snede dan eerst af en schakel de machine uit voordat u opkijkt
- Controleer voor elk gebruik of de onderste beschermkap juist functioneert. Gebruik de machine niet wanneer de beschermkap niet vrij beweegt en volledig sluit. Vergrendel de beschermkap nooit in de open positie. Wanneer de zaag per ongeluk valt raakt de beschermkap mogelijk beschadigd. Zorg ervoor dat de beschermkap in elk hoek en op elke zaagdiepte vrij beweegt en het zaagblad of enig ander deel van de machine niet raakt
- Controleer of het zaagblad volledig bedekt wordt door de beschermkap voordat u de machine neerlegt. Een onbeschermde zaagblad beweegt de machine achterwaarts en zaagt alles wat in de weg staat. Het zaagblad staat niet meteen stil wanneer u de trekker schakelaar loslaat
- Controleer regelmatig of alle bouten, moeren en andere bevestigingen goed vastgedraaid zijn

De zaagmachine mag alleen gebruikt worden voor het voorgescreven doel. Elk ander doel dan vermeld staat in deze handleiding wordt beschouwd als misbruik. De gebruiker en niet de fabrikant is vervolgens aansprakelijk voor eventuele schade of eventueel letsel ten gevolge van dergelijke gevallen van misbruik.

De fabrikant is niet verantwoordelijk voor eventuele wijzigingen die gedaan worden aan het gereedschap, noch voor eventuele schade die het resultaat is van dergelijke wijzigingen. Zelfs wanneer de machine als voorgescreven gebruikt wordt zijn alle risicofactoren nooit volledig uit te sluiten

## Onderdelenlijst

1	Stofpoort
2	Hoofdhandvat
3	Aan-/uit trekker schakelaar
4	Voorhandvat
5	Zaagblad rotatierichting indicator
6	Zaagblad vergrendelbout
7	Basisplaat
8	Parallelgeleider
9	Zeskantsleutel
10	Reserve koolstofborstels
11	Beschermkap intrekhendel
12	Zaagblad beschermkap
13	Verstek vergrendelschroef
14	Geleider vergrendelschroef
15	Verstekhoek gradenboog
16	As-vergrendelhendel
17	Koolstofborstel toegangsdooppen
18	Uit-stand vergrendelknop
19	Zaagdiepteschaal
20	Diepte vergrendelhendel

## Gebruiksdoel

Gesnoerde hand cirkelzaag voor lichte tot middel zware doeleinden in hardhout, zachthout en plaatmateriaal.

**WAARSCHUWING:** De machine is te gebruiken op MDF, spaanplaat en gelijksoortige materialen. Gebruik de machine niet voor het zagen van metaal of materialen met spijkers/schroeven

## Het uitpakken van uw gereedschap

• Pak uw toestel / gereedschap uit. Inspecteer het zorg dat u met alle kenmerken en functies vertrouwd raakt.

• Controleer of alle onderdelen aanwezig zijn en in goede staat verkeren. Als er onderdelen ontbreken of beschadigd zijn, zorg dan dat deze vervangen worden voor u dit toestel / gereedschap gebruikt.

## Voor gebruik

**WAARSCHUWING:** Ontkoppel de machine van de stroombron voordat u accessoires verwijdert of bevestigt, of enige aanpassingen maakt

## Stofontginning

• Voor een schonere en veiligere werkomgeving sluit u de stofpoort (1) van de cirkelzaag op een onttinningsstelsel aan

### Opmerkingen:

- Oefen op een stuk afvalmateriaal voordat u in et werkstuk gaat zagen. De juiste instellingen zijn cruciaal voor het verkrijgen van een fijne afwerking. Foutieve instellingen kunnen uw werkstuk gemakkelijk beschadigen
- Het inbegrepen zaagblad is op de machine gemonteerd. Controleer voor het eerste gebruik of de vergrendelbout (6) goed is vastgedraaid

## Het bevestigen en verwijderen van zaagbladen

- Controleer of het bevestigde zaagblad geschikt is voor het te zagen materiaal
- Bevestig enkel zaagbladen die in perfecte staat verkeren. Botte, gebogen en/of beschadigde zaagbladen dienen weggegooid te worden

1. Druk de as-vergrendelhendel (16) naar binnen en draai het zaagblad met de hand rond tot de vergrendeling ingrijpt
2. Draai de vergrendelbout (6) met de inbegrepen zeskantsleutel (9) los
3. Laat de as-vergrendelhendel los en verwijder de vergrendelbout en de sluitring
4. Gebruik de beschermkap intrekhendel (11) om de beschermkap (12) in te trekken en het zaagblad te verwijderen
5. Let bij er bij het plaatsen van het zaagblad op dat de rotatierrichting, aangegeven op het zaagblad in de zelfde richting als de zaagblad richting indicator (5) wijst
6. Plaats de sluitring op de vlakke zijde van de as en plaats de vergrendelbout terug op de machine
7. Druk de as-vergrendelhendel naar beneden en draai de zaagblad vergrendelbout strak vast
8. Laat de as-vergrendelhendel los en controleer of het zaagblad goed vast zit

## Het stellen van de verstekhoek

**Let op:** De zaagmachine is voorzien van een kantelende basisplaat (7)

1. Om de hoek van de basisplaat aan te passen, draait u de verstekhoek vergrendelschroef (13). De basisplaat kan nu vrij gekanteld worden
2. Selecteer de vereiste hoek (0-45°) op de gradenboog (15) naast de vergrendelknop
3. Draai de vergrendelschroef weer vast

**Let op:** Controleer de hoek tussen het zaagblad en de basisplaat met behulp van een geschikte gradenboog op nauwkeurigheid

## Het stellen van de zaagdiepte

**Let op:** De machine is voorzien van een diepte verstelmechanisme

- Om de zaagdiepte aan te passen:

1. draait u de diepte vergrendelschroef (20) los. De basisplaat (7) kan nu vrij op de gewenste diepte worden gesteld
2. Pas de diepte van de machine met behulp van de diepteschaal (19) of een liniaal aan
3. Draai de vergrendelknop weer vast

**Let op:** Bij een juiste instelling steken de tanden ongeveer 3 mm onder het werkstuk uit

## Gebruik

### Het hanteren van de cirkelzaag

- Houdt de machine te allen tijde stevig, met beide handen op de handvaten vast
- Laat het zaagblad volledig tot stilstand komen voordat u de machine neerlegt
- Ontkoppel de machine van de stroombron wanneer u de machine onbeheerd achterlaat
- Zorg ervoor dat het werkstuk tijdens het zagen niet beweegt. Klem het werkstuk wanneer mogelijk vast

### Het maken van een zaagsnede

1. Houdt de machine stevig vast en rust de voorzijde van de basisplaat (7) op de rand van het te zagen werkstuk
2. Zorg ervoor dat het zaagblad het werkstuk niet raakt
3. Start de machine door de uitstand vergrendelknop (18) in te drukken en de trekker schakelaar (3) in te knijpen
4. Laat de motor op volledige snelheid komen voordat u de machine door het werkstuk leidt
5. Houdt een gelijke snelheid en houdt de basisplaat op het werkstuk gedrukt

**Let op:** De voorzijde van de basisplaat is voorzien van twee inkepingen. Voor normale toepassingen lijnt u de 0° inkeping uit met de zaaglijn. Voor 45° versteksneden lijnt u de 45° inkeping uit met de zaaglijn

6. Wanneer het volledige werkstuk door het zaagblad in gepasseerd, laat u de trekker schakelaar los. Wanneer de snede voor de rand stopt, laat u de trekker schakelaar los en het zaagblad volledig tot stilstand komen voordat u de machine van het werkstuk haalt

**Let op:** Leg de machine niet neer voordat het zaagblad volledig tot stilstand gekomen is

### Het gebruik van de parallelgeleider

1. De parallelgeleider (8) wordt gebruikt wanneer parallel aan een rand gezaagd wordt
2. De parallelgeleider is met behulp van de vergrendelschroef (14) op de basisplaat (7) te bevestigen. Zorg ervoor dat de geleider goed vast zit
3. De positie van de geleider kan versteld worden om te passen bij elke uit te voeren taak
4. Om een rand te volgen houdt u de verticale voet van de geleider tijdens de volledige zaagsneden tegen de rand gedrukt

## Accessoires

- Verschillende accessoires, als zaagbladen, geleiders, etc., zijn verkrijgbaar bij uw Silverline handelaar. Reserve onderdelen zijn verkrijgbaar via [www.toolsparsonline.com](http://www.toolsparsonline.com)

## Onderhoud

**WAARSCHUWING:** Haal de stekker uit het stopcontact voordat u de machine schoonmaakt of enig onderhoud uitvoert

### Schoonmaak

**WAARSCHUWING:** Bij het schoonmaken van de eenheid is het dragen van de juiste beschermende uitrusting, waaronder een veiligheidsbril en handschoenen, aanbevolen

- Houd uw machine te allen tijde schoon. Vuil en stof doen de interne onderdelen sneller slijten, wat de levensduur van de machine aanzienlijk vermindert
- Maak de behuizing van de machine met een zachte borstel of droge doek schoon
- Maak de plastic onderdelen niet met bijtende middelen schoon. Maak gebruik van een licht schoonmaakmiddel en een vochtige doek
- De machine mag niet in contact komen met water
- Zorg ervoor dat de machine volledig droog is voordat u deze gebruikt
- Gebruik wanneer mogelijk zuivere, droge perslucht om door de luchtgaten te blazen

## Borstels

- Na verloop van tijd zullen de koolborstels in de motor verslijten.
- Bij overmatige slijtage van de borstels verliest de motor mogelijk vermogen, start het niet meer, en/of produceert het overmatig vonken.
- Om de borstels te vervangen, verwijdt u de toegangsdoppen (17) van beide zijden van de machine. De versleten borstels kunnen verwijderd worden en vervangen worden door de nieuwe. Bevestig de toegangsdoppen terug op de machine. Als alternatief laat u de borstels bij een erkend servicecenter vervangen.

## Contact

Voor technische ondersteuning of voor reparatieadvies, gelieve contact op te nemen met de hulplijn op (+44) 1935 382 222

**Web:** [silverlinetools.com/nl-NL/Support](http://silverlinetools.com/nl-NL/Support)

### Adres:

Toolstream Ltd.  
Boundary Way  
Lufton Trading Estate  
Yeovil, Somerset  
BA22 8HZ, Verenigd Koninkrijk

## Opberging

- Berg de machine op een droge en veilige plek, buiten het bereik van kinderen op

## Verwijdering

Bij de verwijdering van elektrische machines neemt u de nationale voorschriften in acht.

- Elektrische en elektronische apparaten en accu's mogen niet met uw huishoudelijk afval worden weggegooid
- Neem contact op met uw gemeente voor informatie betreffende de verwijdering van elektrisch gereedschap



## Silverline Tools Garantie

### Dit Silverline product komt met 3 jaar garantie.

Registreer dit product binnen 30 dagen van aankoop op [www.silverlinetools.com](http://www.silverlinetools.com) om in aanmerking te komen voor 3 jaar garantie. De garantieperiode begint op de datum van aankoop op het ontvangstbewijs.

### Het gekochte product registreren

Ga naar: [silverlinetools.com](http://silverlinetools.com), kies Registration (registratie) en voer het volgende in:

- Uw persoonlijke gegevens
- De gegevens van het product en de aankoop

U ontvangt het garantiebewijs in PDF-vorm. Druk het af en bewaar het bij het product.

## Voorwaarden

De garantieperiode gaat in vanaf de datum van aankoop op het ontvangstbewijs.

### BEWAAR HET ONTVANGSTBEWIJS OP EEN VEILIGE PLAATS

Als dit product binnen 30 dagen van de aankoopdatum een fout heeft, breng het dan naar de winkelier waar u het heeft gekocht, met uw ontvangstbewijs, en met vermelding van de details van de storing. U kunt om een nieuwe vragen of om uw geld terug.

Als dit product na de periode van 30 dagen een fout heeft, stuur het dan naar:

**Silverline Tools Service Centre**  
PO Box 2988  
Yeovil  
BA21 1WU, GB

Alle claims moeten binnen de garantieperiode worden ingediend.

U moet het originele ontvangstbewijs geven met de datum van aankoop, uw naam, adres en plaats van aankoop voordat er aan kan worden gewerkt.

U moet nauwkeurige gegevens verschaffen van de fout die verholpen moet worden.

Claims die binnen de garantieperiode worden ingediend, worden door Silverline Tools nagelopen om te kijken of het probleem een kwestie is van de materialen of de fabricage van het product.

De verzendkosten worden niet vergoed. De geretourneerde items moeten voor de reparatie in een redelijk schone en veilige staat verkeren en moeten zorgvuldig worden verpakt om schade en letsel tijdens het vervoer te voorkomen. Ongeschikte en onveilige leveringen kunnen worden afgewezen.

Al het werk wordt uitgevoerd door Silverline Tools of een officiële reparatiedienst.

De garantieperiode wordt niet door de reparatie of vervanging van het product verlengd.

Defecten waarvan wij beschouwen dat ze onder de garantie vallen, worden verholpen door middel van gratis reparatie van het gereedschap (exclusief verzendingskosten) of door vervanging door een gereedschap in perfecte staat van werking.

De ingehouden gereedschappen of onderdelen die zijn vervangen, worden het eigendom van Silverline Tools.

De reparatie of vervanging van het product onder garantie zijn voordelen die bijkomstig zijn aan uw wettelijke rechten als consument, en hebben daar geen invloed op.

### Wat is gedekt:

De reparatie van het product, mits naar tevredenheid van Silverline Tools kan worden vastgesteld dat de gebreken het gevolg zijn van defecte materialen of fabrieksfouten binnen de garantieperiode.

Onderdelen die niet meer verkrijgbaar zijn en die niet meer worden vervaardigd worden door Silverline Tools vervangen door een functionele vervanging.

Gebruik van dit product in de EU.

### Wat niet is gedekt:

Silverline Tools geeft geen garantie op reparaties als gevolg van:

Normale slijtage veroorzaakt door gebruik in overeenstemming met de bedieningsinstructies zoals zaagbladen, borstels, riemen, gloeilampen, batterijen enz.

De vervanging van geleverde accessoires zoals boortjes, zaagbladen, schuurvellen, snijschijven en aanverwante producten.

Accidentele schade, storingen veroorzaakt door nalatigheid in gebruik of verzorging, misbruik, verwaarlozing, onvoorzichtige bediening en hantering van het product.

Gebruik van het product voor andere doeleinden dan normaal huishoudelijk gebruik.

Alle soorten wijzigingen en modificaties van het product.

Gebruik van andere onderdelen en accessoires dan de originele onderdelen van Silverline Tools.

Defecte installatie (behalve wanneer geïnstalleerd door Silverline Tools).

Reparaties of wijzigingen die zijn uitgevoerd door anderen dan Silverline Tools of diens officiële reparatiediensten.

Behalve claims voor het recht op correctie van fouten van het gereedschap volgens de bepalingen van deze garantie zijn geen andere claims gedekt.

## Wprowadzenie

Dziękujemy za zakup narzędzia marki Silverline. Zalecamy zapoznać się z niniejszymi instrukcjami: zawierają one informacje niezbędne dla bezpiecznej i wydajnej obsługi produktu. Produkt posiada szereg unikalnych funkcji, dlatego też, nawet, jeśli jesteś zaznajomiony z podobnymi produktami, przeczytanie instrukcji obsługi umożliwi Ci pełne wykorzystanie tego wyjątkowego projektu. Przechowuj niniejsze instrukcje w zasięgu ręki i upewnij się, że użytkownicy narzędzia przeczytali i w pełni zrozumieli wszystkie zalecenia.

## Opis symboli

Tabela znamionowa zawiera symbole dotyczące narzędzia. Stanowią one istotne informacje o produkcie lub instrukcje dotyczące jego stosowania.



Należy nosić środki ochrony słuchu  
Należy nosić okulary ochronne  
Należy nosić środki ochrony dróg oddechowych  
Należy używać kasku ochronnego



Należy nosić rękawice ochronne



Należy w całości przeczytać instrukcję obsługi



### Ochrona środowiska

Nie należy wyrzucać zużytych produktów elektrycznych wraz z odpadami komunalnymi. Jeśli jest to możliwe, należy przekazać produkt do punktu recyklingu. W celu uzyskania wskazówek dotyczących recyklingu należy skontaktować się z władzami lokalnymi lub sprzedawcą.



Zgodne z odpowiednimi przepisami i normami bezpieczeństwa



Konstrukcja klasy II (podwójnie izolowana w celu dodatkowej ochrony)



Uwaga!

## Kluczowe skróty techniczne

V	Wolt
Hz	Stopnie
A	Amper
W, kW	Wat, kilowat
n <sub>0</sub>	Prędkość bez obciążenia
/min or min <sup>-1</sup>	Obroty lub ruch postępowo zwrotny) na minutę
~	Prąd przemienny

## Dane techniczne

Napięcie prądu elektrycznego: .....	230-240 V – 50 Hz
Moc: .....	1200 W
Prędkość bez obciążenia: .....	5500 min <sup>-1</sup>
Wymiar tarczy (maks): .....	ø185 mm
Średnica otworu: .....	ø20
Grubość klinu rozszczepiającego: .....	1,7 mm
Tarcza tnąca: .....	ø185 x ø20 x 2,5 mm x 24T
Maks. Głęb. Cięcia: .....	.63 mm (90°)
.....	.43 mm (45°)
Regulacja skosu: .....	0-45°
Klasa ochrony: .....	IP20
Stopień ochrony: .....	IP20
Wymiary (dl. x szer. x wys.): .....	330 x 240 x 250 mm
Waga: .....	3,75 kg

W wyniku nieprzerwanego procesu rozwojowego produktów specyfikacje produktów Silverline mogą ulec zmianie bez uprzedniego powiadomienia.

### Parametry emisji dźwięku i wibracji:

Poziom ciśnienia akustycznego L <sub>75%</sub> : .....	91 dB(A)
Poziom mocy akustycznej L <sub>WA</sub> : .....	102 dB(A)
Niepewność pomiaru: .....	3 dB(A)
Wartość emisji wibracji: .....	3,14 m/s <sup>2</sup> (Uchwyt główny)
Niepewność pomiaru: .....	1,5 m/s <sup>2</sup>

Poziom natężenia dźwięku dla operatora może przekroczyć 85dB(A) dlatego konieczne jest zastosowanie środków ochrony słuchu.

**OSTRZEŻENIE:** Jeżeli poziom hałasu przekracza 85dB(A) należy zawsze stosować środki ochrony słuchu oraz, jeśli to konieczne, ograniczyć czas narażenia słuchu na nadmierny hałas. Jeśli poziom hałasu powoduje dyskomfort, nawet w przypadku zastosowania środków ochrony słuchu, niezwłocznie przestań korzystać z narzędzia i sprawdź czy środek ochrony słuchu jest prawidłowo zamontowany i zapewnia odpowiedni poziom tłumienia dźwięku w odniesieniu do poziomu hałasu wytwarzanego przez narzędzie.

**OSTRZEŻENIE:** Narażenie użytkownika na wibracje narzędzia może spowodować utratę zmysłu dotyku, drętwienie, mrowienie i zmniejszenie zdolności uchwytu. Długotrwałe narażenie może prowadzić do stanu przewlekłego. Jeśli jest to konieczne, ogranicz czas narażenia na wibracje i stosuj rękawice antywibracyjne. Nie korzystaj z urządzenia w trybie ręcznym w temperaturze niższej niż normalna komfortowa temperatura otoczenia, ponieważ zwiększy to efekt wywołany przez wibracje. Skorzystaj z wartości liczbowych podanych w specyfikacji dotyczącej wibracji, aby obliczyć czas trwania i częstotliwość pracy z narzędziem.

Poziom hałasu i drgań w specyfikacji określone są zgodnie z międzynarodowymi normami. Wartości te reprezentują korzystanie z urządzenia w normalnych warunkach roboczych. Niedbała konserwacja, nieprawidłowy montaż lub nieprawidłowe użytkowanie urządzenia mogą spowodować wzrost poziomu hałasu oraz wibracji. [www.osha.europa.eu](http://www.osha.europa.eu) dostarcza informacji na temat poziomów hałasu i wibracji w środowisku pracy, które mogą być przydatne dla użytkowników prywatnych, korzystających z urządzenia przez długi czas.



## Ogólne instrukcje dotyczące bezpieczeństwa

**OSTRZEŻENIE:** Przeczytaj wszystkie ostrzeżenia i instrukcje bezpieczeństwa. Nieprzestrzeżenie ostrzeżeń i instrukcji może prowadzić do porażenia prądem, pożaru i / lub poważnych obrażeń.

**OSTRZEŻENIE:** Urządzenie nie jest przeznaczony do użytkowania przez osoby (w tym dzieci) o ograniczonej sprawności fizycznej lub umysłowej, lub o braku doświadczenia i wiedzy, chyba że będą one nadzorowane lub zostaną pouczane na temat korzystania z urządzenia przez osobę odpowiedzialną za ich bezpieczeństwo. Należy pilnować, aby dzieci nie próbowały korzystać z urządzenia jako zabawki.

Zachowaj wszystkie ostrzeżenia i instrukcje na przyszłość.

Termin „elektronarzędzie” odnosi się do urządzenia zasilanego sieciowo (przewodowego) lub urządzenia zasilanego za pomocą baterii (beprzewodowego).

### 1) Bezpieczeństwo obszaru pracy

- Zadbaj o prawidłową higienę i prawidłowe oświetlenie obszaru pracy. Zaniedbanie lub brak wystarczającego oświetlenia obszaru pracy mogą doprowadzić do wypadków.
- Nie należy używać elektronarzędzi w przestrzeniach zagrożonych wybuchem, np. w obecności łatwopalnych cieczy, gazów lub pyłów. Urządzenia elektryczne wytwarzają iskry, które mogą podpalić pył lub opary.
- Nie dopuszczaj dzieci ani innych osób do obszaru pracy elektronarzędzi. Nieuwaga może spowodować utratę kontroli.

### 2) Bezpieczeństwo elektryczne

- Wyłtca elektronarzędzia musi pasować do gniazda zasilania. Nie wolno modyfikować wtyczki w żaden sposób. W przypadku elektronarzędzi z uziemieniem nie należy stosować przejściówek. Originalne wtyczki i pasujące gniazda zmniejszają ryzyko porażenia prądem.
- Należy dotykać uziemionych powierzchni, takich jak rury, grzejniki, piece i lodówki. Uziemienie ciała powoduje zwiększenie ryzyka porażenia prądem.
- Nie wystawiaj elektronarzędzi na działanie deszczu lub wilgoci. Przedostanie się wody do urządzenia zwiększa ryzyko porażenia prądem.
- Nie należy nadwydrętać kabla. Nigdy nie używaj go do przenoszenia, przeciągania lub odłączania elektronarzędzia. Trzymaj przewód z dala od źródeł ciepła, oleju, ostrych krawędzi lub ruchomych części urządzenia. Uszkodzone lub poplątane kable zwiększają ryzyko porażenia prądem.
- W przypadku korzystania z urządzenia na wolnym powietrzu używaj przedłużacza przystosowanego do użycia na zewnątrz. Korzystanie z przedłużacza przystosowanego do użycia na zewnątrz zmniejsza ryzyko porażenia prądem.
- W przypadku korzystania z elektronarzędzia w miejscu o dużym natężeniu wilgoci należy używać gniazda zasilania wyposażonego w wyłącznik różnicowoprądowy (RCD). Korzystanie z wyłącznika różnicowoprądowego zmniejsza ryzyko porażenia prądem.

### 3) Bezpieczeństwo osobiste

- Podczas korzystania z elektronarzędzi bądź czujny, uważaj, co robisz i zachowaj zdrowy rozsądek. Nie używaj ich gdy jesteś zmęczony albo pod wpływem narkotyków, alkoholu lub leków. Chwila nieuwagi podczas obsługi urządzenia może spowodować poważne obrażenia ciała.
- Korzystaj ze środków ochrony osobistej. Zawsze stosuj środki ochrony oczu. Wyposażenie ochronne, takie jak maska przeciwpyłowa, obuwie robocze antypoślizgowe na szorstkiej podszewie, kask ochronny lub nasznyciki ochronne używane w odpowiednich warunkach, zmniejsza ryzyko obrażeń.
- Zapobiegaj przypadkowemu włączeniu urządzenia. Przed podłączeniem do źródła zasilania i / lub akumulatora, podnośnikiem lub przenoszeniem narzędzia, upewnij się, że przełącznik zasilania znajduje się w pozycji wyłączonej.

Przenoszenie urządzenia z palcem umieszczonym na wyłączniku zasilania lub podłączenie elektronarzędzi przy włączonym przełączniku zasilania stwarza ryzyko wypadku.

- Przed włączeniem elektronarzędzia usuń z niego wszelkie klucze regulacyjne. Narzędzie lub klucz pozostawiony w obracającej się części elektronarzędzia może spowodować obrażenia ciała.
- Nie wychylaj się. W każdej chwili zachowuj odpowiednią pozycję i równowagę. Umożliwia to lepszą kontrolę nad elektronarzędziem w nieoczekiwanych sytuacjach.
- Nie nos odpowiednią odzież. Nie zakładaj do pracy z elektronarzędziami luźnej odzieży ani biżuterii. Trzymaj włosy, odzież i rękawice z dala od ruchomych części urządzenia. Luźne ubranie, biżuteria lub długie włosy mogą zostać wciągnięte przez ruchome części urządzenia.
- Jeśli do zestawu są dołączone są urządzenia do podłączenia mechanizmów odsysania i zbierania pyłu, sprawdź czy są one przyłączone i prawidłowo zamocowane. Korzystanie z urządzenia odsysającego pył może zmniejszyć zagrożenie pyłami.

### 4) Użytkowanie i pielęgnacja elektronarzędzi.

- Nie należy przeciągać urządzenia. Używaj narzędzi odpowiednich do danego zastosowania. Prawidłowe narzędzie wykona zadanie lepiej i bezpieczniej w podanym zakresie sprawności.
- Nie należy używać urządzenia, jeśli nie można go włączyć lub wyłączyć za pomocą odpowiedniego przełącznika. Urządzenia, które nie mogą być kontrolowane za pomocą przełącznika są niebezpieczne i muszą zostać oddane do naprawy.
- Przed dokonaniem regulacji, wymiany akcesoriów lub przechowywaniem elektronarzędzia odłącz wtyczkę od źródła zasilania i / lub akumulator od urządzenia. Te prewencyjne środki bezpieczeństwa zmniejszają ryzyko przypadkowego uruchomienia elektronarzędzia.
- Nieużywane elektronarzędzie przechowuj w miejscu niedostępnym dla dzieci i nie dopuszczaj do nich osób nie znających elektronarzędzi lub ich instrukcji obsługi.

Elektronarzędzia stanowią niebezpieczeństwo w rękach niedoświadczonych użytkowników.

e) Przeprowadzaj konserwację elektronarzędzi. Sprawdź urządzenie pod kątem nieprawidłowego ustawienia lub zablokowania elementów ruchomych, pęknięć części lub innych usterek, które mogą mieć negatywny wpływ na funkcjonowanie urządzenia. W przypadku usterek należy naprawić urządzenie przed ponownym użyciem. Niewłaściwa konserwacja elektronarzędzi jest przyczyną wielu wypadków.

f) Utrzymuj narzędzia tnące w czystości i dobrze naostrzone. Zadbane narzędzia tnące z ostrymi krawędziami tnącymi rzadziej się zacinają i łatwiej nimi sterować.

g) Używaj elektronarzędzia, akcesoria, końcówki itp. zgodnie z tymi instrukcjami, biorąc pod uwagę warunki pracy i realizowane zadania. Używanie narzędzi do wykonywania prac niezgodnych z ich przeznaczeniem może doprowadzić do niebezpiecznych sytuacji.

**UWAGA:** W przypadku korzystania z urządzenia w Australii lub Nowej Zelandii, zalecane jest zasilanie urządzenia TYLKO z wykorzystaniem wyłącznika różnicowoprądowego (RCD) o znamionowym prądzie różnicowym nieprzekraczającym 30 mA.

### 5) Serwis

a) Urządzenie powinno być serwisowane przez wykwalifikowany personel naprawy przy użyciu wyłącznie oryginalnych części zamiennych. Zgwarantuje to bezpieczeństwo elektronarzędzia.

## Zapobieganie efektowi odrzutu i bezpieczeństwa operatora:

-odrzut to gwałtowna reakcja narzędzia na zaklinowanie, zablokowanie lub przemieszczenie ostria pily, powodujące podniesienie i wyrzucenie szablonnej pily z przedmiotu obróbki;

-gdy ostre jest ściśnięte lub zablokowane blokuje zamykanie szczeliny cięcia i reakcja silnika napędza urządzenie szybko z powrotem w kierunku operatora;

-jest ostre zostaje skrócone lub przesuńnięte podczas cięcia, zęby pily na tylnej krawędzi tarczy mogą się zagłębić w górna powierzchnię obrabianego przedmiotu, co może spowodować, że tarcza wznieśnie się ze szczeliny i powędruje w kierunku operatora.

Odrzut jest efektem nadużywania/niewłaściwego użytkowania pily i nieprzestrzeżania właściwych procedur lub warunków obsługi urządzenia, któremu można zapobiec w następujący sposób:

a. Mocno chwytaj pilę obiema rękami i odpowiednio ułóż ręce w celu odparcia sily odrzutu. Ustaw ciało z boku ostria, nie w jednej osi z ostrzem pily. Odrzut może spowodować odkoszenie pily w tył, lecz przy zastosowaniu odpowiednich środków zaradczych, jego siła może być kontrolowana.

**Uwaga:** Dla pilarek tarczowych ze średnicą tarczy 140 mm bądź mniej, zwrot "obiema rękoma" może zostać pominięty.

b. Gdy ostre jest zaklinowane, lub operacja cięcia zostaje przerwana z jakiegokolwiek powodu, należy zwolnic zapłon narzędzia i pozostawić pilę w przedmiocie obróbki, aż do całkowitego zatrzymania ostria. Nigdy nie wolno próbować wymować pily z przedmiotu obróbki lub ciągnąć pily wstecz, jeśli ostre nadal się obraca. Sprawdź przyczynę i dokonaj odpowiedniej korekty w celu wyeliminowania klinowania ostria.

c. Przy ponownym uruchomieniu pily wewnątrz nieukończonoego cięcia, umieść ostre w rzazie i sprawdź, czy zęby pily nie dotykają przedmiotu obróbki. Zaklinowane ostre może skoczyć do góry lub zostać odrzucone z przedmiotu obróbki w momencie ponownego uruchamiania narzędzia.

d. Przedmiot obróbki o dużych wymiarach powinien być podparty, aby zapobiec efektowi odrzutu i zaklinowania tarczy. Duże pily mają tendencję do wyginania się pod własnym ciężarem. Podpora musi być umieszczona po obu stronach dużego przedmiotu w pobliżu linii cięcia, oraz na krawędzi pily.

e. Nie wolno używać stępienych lub uszkodzonych tarcz. Nienaostrome lub nieodpowiednio zamontowane ostria wycinają zbyt głąbki rzaz powodując nadmierne tarcie, klinowanie ostria oraz odrzut.

f. Przed rozpoczęciem cięcia należy upewnić się, że dzwignie blokady głębokości ostria i regulacji skosu są dokręcone i zablokowane. Zwolnienie dzwigni głąbkości może spowodować zaklinowanie lub efekt odrzutu.

g. Należy zachować szczególną ostrożność podczas wykonywania cięć głąbkożywnych w ścianach lub innych obszarach nieprzewodzących. Wystające ostre może przeciąć przypadkowe objekty i ulec efektowi odrzutu.

h. Przed każdym użyciem sprawdź dolną osłonę narzędzia i nie korzystaj z urządzenia, jeśli nie zamyka się ona w sposób swobodny. Upewnij się, że ostre nie dotyka żadnej części osłony lub narzędzia pod żadnym kątem cięcia i przy żadnym z ustawień głąbkości. Pod żadnym względem nie blokuj dolnej osłony w pozycji otwartej.

Sprawdź działanie sprężyny osłony dolnej. Jeśli osłona i sprężyna działają w sposób nieprawidłowy, należy przekazać narzędzie do serwisu. Dolna osłona może działać powoli ze powodu uszkodzonych części, osadów żywic oraz nagromadzenia odpadów.

j. Ręczne odsysanie osłony dolnej dozwolone jest wyłącznie w przypadku specjalnych rodzajów cięć, np. cięć wargowych lub cięć ukośnych pod kątem. Unieś dolną osłonę odciągając uchwyt, następnie wrzaz po zetknięciu się ostrza z materiałem obróbki zwinij osłonę. W przypadku innych rodzajów cięcia osłona dolna powinna zadziałać automatycznie.

k. Przed skierowaniem pily w dół upewnij się, że osłona dolna zakrywa ostre. Niebezpieczne, dryfujące ostre ulegnie osadkowi do tyłu, przycinając wszystko, co stanie na jego drodze. Pamiętaj o tym, aby zaskoki na całkowite zatrzymanie ostria po włączeniu narzędzia. Nie wolno stosować tarcz ściemych, ponieważ uniemożliwią to okres gwarancyjny.

l. Jeśli pila tarczowa jest wyposażona w klin rozszczepiający, należy wymontować go przed rozpoczęciem cięcia głąbkożywnego. Klin rozszczepiający zakłóca wykonywanie cięcia głąbkożywnego powodując odbicie. Po zakończeniu cięcia głąbkożywnego należy zawsze ponownie zamocować klin rozszczepiający.

## Bezpieczeństwo korzystania z pilarek tarczowych

**OSTRZEŻENIE.** Przed podłączeniem narzędzia do źródła zasilania (gniazdka zasilania wyłącznika siedowego, sieci itp.) należy upewnić się, że napięcie zasilania jest takie samo, jak podano na tabliczce znamionowej urządzenia. Źródło zasilania o napięciu większym niż napięcie określone dla narzędzia może spowodować poważne obrażenia użytkownika oraz uszkodzenie narzędzia. W przypadku wątpliwości nie podłączaj urządzenia do danego źródła zasilania. Korzystanie ze źródła zasilania o napięciu mniejszym niż napięcie określone na tabliczce znamionowej jest szkodliwe dla silnika.

⚠ **NIEBEZPIECZNOŚĆ.** Należy trzymać dłonie z dala od obszaru cięcia i tarczy. Druga ręka powinna trzymać dodatkową rękąć bądź obudowę silnika. Jeśli obydwie ręce podtrzymują pilarkę, oznacza, iż nie mogą być zranione przez ostrze.

**Uwaga:** Dla pilarek tarczowych ze średnicą tarczy 140 mm bądź mniej, zwrot "obiema rękoma" może zostać pominięty.

**Nie należy się wychylać poza obrabiany przedmiot.** Osłona nie chroni użytkownika poza obrabianym elementem.

**Należy dostosować regulację głębokości cięcia do grubości obrabianego przedmiotu.** Mniej niż pełny ząb tarczy powinien być widoczny poniżej obrabianego elementu

**Nigdy nie należy przetrzymywać elementu obróbki dłońmi bądź między nogami. Należy go ustawić bezpiecznie na stabilnym podłożu.** Istotnym jest, aby odpowiednio zabezpieczyć przedmiot w celu zminimalizowania ryzyka narażenia ciała, zaklinowania ostrza, bądź utraty kontroli.

**Trzymać pilarkę wyłącznie za izolowany uchwyt, podczas cięcia, gdyż może dojść do przecięcia ukrytych przewodów pod napięciem bądź własnego przewodu.** Zetknięcie pilarki z przewodem pod napięciem może spowodować, iż metalowe elementy staną się także przewodnikami napięcia, a co za tym idzie spowodować porażenie operatora.

**Podczas cięcia wzdłużnego, zawsze należy używać przewodnicy wzdłużnej bądź prostej krawędzi.** To poprawia dokładność cięcia i zmniejsza szansę, zaklinowania ostrza.

**Zawsze należy używać tarczy w odpowiednim rozmiarze i kształcie (romb lub koło) otworu tarczy.** Tarcza, która nie pasuje do elementów montażowych pilarki znacznie działać mimosłowo, powodując utratę kontroli.

**Nigdy nie wolno używać uszkodzonych bądź niewłaściwych podkładek i śrub.** Podkładki i śruby zostały specjalnie zaprojektowane dla danej pilarki dla optymalnej wydajności i bezpieczeństwa pracy.

a) Obsługa piły przez osoby w wieku poniżej 18 lat jest zabroniona.

b) Podczas korzystania z piły należy stosować środki ochrony osobistej, w tym okulary ochronne albo maskę, ochraniacze słuchu, maskę przeciwpyłową oraz odzież ochronną, w tym rękawice ochronne.

c) Elektronarzędzia obsługiwane ręcznie emitują wibracje. Wibracje mogą spowodować choroby. Rękawice mogą pomóc w utrzymaniu właściwego krążenia krwi w palcach. Nie należy korzystać z narzędzi obsługiwanych ręcznie nieprzerwanie przez długi czas.

d) W razie możliwości, należy użyć odkurzacza, systemu do odsysania pyłu w celu kontroli nagromadzonego się pyłu/kurzu

e) Nie wolno próbować ciąć materiałów grubszych niż wyszczególnionych w danych technicznych w niniejszej instrukcji

f) Dostosować głębokość cięcia do grubości przedmiotu obróbki, tj. ostrze powinno wystawać po drugiej stronie przedmiotu obróbki na długość mniejszą niż wysokość zęba piły

g) Należy się upewnić, że obrabiany element jest odpowiednio wsparty. Duże płyty mają tendencję do wyginania się pod własnym ciężarem. Podpora musi być umieszczona po obu stronach dużego przedmiotu w pobliżu linii cięcia, oraz na krawędzi płyty.

h) Upewnić się, że przewody zasilania nie znajdują się na linii cięcia

i) Zawsze należy zabezpieczyć przedmiot obróbki na stabilnej platformie, w celu zminimalizowania ryzyka narażenia ciała, zaklinowania ostrza, bądź utraty kontroli.

j) Zawsze należy stać pod kątem podczas obsługi narzędzia

k) Być świadomym, że ostrze będzie wystawać z dolnej części obrabianego elementu

l) Nie należy się wychylać poza obrabiany przedmiot. Osłona nie chroni użytkownika poza obrabianym elementem.

m) Zwrócić uwagę na kierunek obrotu silnika i tarczy

n) Dokładnie sprawdzić obrabiany przedmiot przed rozpoczęciem pracy co do ukrytych gwóźdźi i innych elementów

o) Nie wolno stosować żadnej siły na obracającą się ostrze podczas cięcia

p) Jeśli praca pilarki nie jest kontynuowana, a tarcza pilarki utknie w obrabianym elemencie, należy pozwolić jej na swobodne zatrzymanie i podnieść pilarkę i obrabianego elementu

q) Nie wolno próbować uwolnić zaklinowanego ostrza przed wyłączeniem pilarki od zasilania

r) Nie wolno przesuwając pilarki do tyłu kiedykolwiek podczas cięcia

s) Należy być świadomym produkcji odpadów podczas cięcia, mogą one być wyrzucane z dużą prędkością z pilarki. Odpowiedzialnością operatora jest upewnić się, że wszystkie osoby znajdujące się w pobliżu obszaru pracy są chronione przed wyrzutem odpadów

t) Jeśli praca operatora zostanie przerwana podczas wykonywania cięcia należy je najpierw dokończyć, po czym wyłączyć urządzenie od zasilania przed odwróceniem uwagi

u) Sprawdzić dolną osłonę pod względem prawidłowego zamknięcia przed użyciem. Nie wolno rozpocząć pracy pilarką, jeśli osłona nie porusza się swobodnie i zamyka natychmiastowo. Nigdy nie wolno zaciskać bądź wiazać dolnej osłony w pozycji otwartej. Jeśli pilarka zostanie przypadkowo upuszczona, dolna osłona tarczy może ulec wygięciu. Należy, zatem otworzyć dolną osłonę tarczy przy pomocy dźwigni, po czym upewnić się, że porusza się swobodnie i nie dotyka tarczy ani innych elementów, we wszystkich kątach i głębokościach cięcia

v) Należy bacznie przyrzeć się, czy dolna osłona przykrywa tarczę przed oddłożeniem piły po zakończeniu pracy. Nieosłonięta tarcza może zostać przesunięta do tyłu i przecięć wszystko co będzie się znajdowało w jej linii. Ponadto należy pamiętać, że tarcza potrzebuje chwili przed całkowitym jej zatrzymaniem po zwolnieniu spustu

w) Od czasu do czasu należy skontrolować stan poluzowania i śrubek i nakrętek oraz innych mocowań i w razie potrzeby dokręcić

Urządzenie może być wykorzystane tylko do zastosowań zgodnych z jego przeznaczeniem. Jakikolwiek inne użycie nie wspomniane w niniejszej instrukcji obsługi będzie jednoznacznie traktowane, jako niewłaściwe. Użytkownik, a nie producent, ponosi odpowiedzialność za jakiegokolwiek uszkodzenia lub szkody powstałe w wyniku nieporadnego użytkowania. Producent nie ponosi odpowiedzialności za jakiegokolwiek modyfikacje narzędzia, ani za szkody powstałe w wyniku próby modyfikacji. Nawet jeśli urządzenie jest użytkowane zgodnie z zaleceniami nie ma możliwości uniknięcia wszystkich pozostałych czynników ryzyka.

## Prezentowanie produktu

1	Port odsysania pyłu
2	Uchwyt główny
3	Spust On/Off
4	Uchwyt przedni
5	Wskaźnik kierunku
6	Śruba mocująca ostrze (wraz z kołnierzem)
7	Podstawa
8	Prowadnica równoległa
9	Klucz sześciokątny
10	Zapasowe szczerki węglowe
11	Dźwignia osłony
12	Osłona ostrza
13	Śruba blokująca kąt skosu
14	Śruba blokująca prowadnicę
15	Skala kąta cięcia skośnego
16	Blokada wrzeczona
17	Zatyczki otworów dostępu do szczerok
18	Blokada w pozycji Off
19	Skala głębokości cięcia
20	Blokada głębokości

## Zastosowanie zgodne z przeznaczeniem

Ręczna, przewodowa i elektryczna pilarka tarczowa przeznaczona do cięcia poprzecznego i wzdłużnego oraz pod kątem drewna typu miękkiego i twardego oraz innych podobnych materiałów.

**OSTRZEŻENIE:** Niniejsza pilarka tarczowa jest przeznaczona tylko i wyłącznie do cięcia drewna, płyt MDF, płyt wiórowych i innych podobnych materiałów, pilarka NIE NADAJE SIĘ do cięcia metalu bądź drewna z gwóźdźami

## Rozpakowanie narzędzia

Ostrożnie rozpakuj i sprawdź narzędzie. Zapoznaj się ze wszystkimi mechanizmami i funkcjami. Upewnij się, że narzędzie zawiera wszystkie części i są one w dobrym stanie. Jeśli brakuje niektórych części lub są one uszkodzone, należy uzupełnić lub wymienić je przed rozpoczęciem korzystania z narzędzia.

## Przygotowanie do eksploatacji Odsysanie pyłu

- W celu zapewnienia czystszej i bezpieczniejszego środowiska pracy oraz ochrony narzędzia przed pyłem i przegrzaniem, należy podłączyć system odsysania pyłu lub odkurzacz warsztatowy do portu odsysania pyłu (1)

### Uwaga:

- Przed użyciem narzędzia zaleca się przeprowadzenie cięć próbnych na zbędnym kawałku materiału. Ustawienie maszyny jest kluczowe dla osiągnięcia dobrej jakości wykończenia, przy niewłaściwym ustawieniu bardzo łatwo może dojść do uszkodzenia materiału
- Dostarczona tarcza zostaje fabrycznie zamontowana w narzędziu. Należy upewnić się, że śruba mocująca (6) jest odpowiednio dokręcona przed pierwszym użyciem narzędzia

## Mocowanie i zdejmowanie tarczy tnącej

**OSTRZEŻENIE:** Należy ZAWSZE nosić rękawice odporne na przecięcia podczas pracy z tarczami tnącymi.

- ZAWSZE sprawdź, czy montowana tarcza jest odpowiednia do cięcia danego rodzaju materiału
- Należy montować tarcze, które się znajdują wyłącznie w idealnym stanie. Łepe, wygięte i popękane ostrza należy wyrzucić
- 1. Wciśnij przycisk blokady wrzeciona (16) i obróć aż blokada wrzeciona zadziała
- 2. Odkręć śrubę zabezpieczającą (6) w lewą stronę za pomocą dołączonego klucza sześciokątnego (9)
- 3. Zwolnij blokadę wrzeciona, a następnie zdejmij śrubę zabezpieczającą oraz kolnierze ostrza
- 4. Za pomocą dźwigni osłony (11) odchyl osłonę (12) i zdejmij tarczę tnącą
- 5. Zamocuj nową tarczę tnącą upewniając się, że strzałka znajdująca się na tarczy odpowiada tej widocznej na wskaźniku kierunku (5)
- 6. Zamontuj ponownie kolnierze upewniając się, że pasuje do płaskiej części wrzeciona, a następnie przykręć śrubę zabezpieczającą
- 7. Wciśnij blokadę wrzeciona i dokręć śrubę zabezpieczającą za pomocą klucza sześciokątnego
- 8. Zwolnij blokadę wrzeciona upewniając się, że tarcza jest bezpiecznie zamocowana przed użyciem narzędzia

## Ustawienie kąta skosu

**Uwaga:** Niniejsza pilarka wyposażona jest w regulowaną podstawę (7).

- W celu zmiany kąta ułożenia podstawy:
- 1. Poluzuj blokadę głębokości kąta skosu (13). Możesz teraz swobodnie obracać podstawę
- 2. Wybierz pożądany kąt (0-45°) przy pomocy skali kąta cięcia (15)
- 3. Przykręć śrubę blokującą

**Uwaga:** W celu zapewnienia dokładności, kąt pomiędzy tarczą i ostrzem powinien zostać sprawdzony przy pomocy odpowiedniego kątomierza.

## Regulacja głębokości cięcia

**Uwaga:** Niniejsza pilarka wyposażona jest w mechanizm regulacji głębokości cięcia.

- W celu zmiany głębokości cięcia:
- 1. Poluzuj blokadę głębokości (20) przesuwając ją ku górze. Możesz teraz swobodnie ustawiać podstawę (7) na pożądanej głębokości cięcia
- 2. Ustaw podstawę na wymaganej głębokości przy pomocy skali głębokości cięcia (19) lub liniiki
- 3. Przesuń blokadę głębokości zdecydowanym ruchem do dołu w celu zablokowania podstawy

**Uwaga:** Przy prawidłowym ustawieniu zęby tarczy nie powinny wystawać dalej niż około 3 mm spod obrabianego materiału.

## Obsługa

### Trzymanie pilarki tarczowej

- Zawsze mocno chwytaj pilarkę za dostępne uchwyty
- Zawsze pozwól tarczy na zatrzymanie się przed odstawieniem narzędzia
- Zawsze odłączaj urządzenie od zasilania, jeśli ma być pozostawione bez nadzoru
- Zawsze upewnij się, że obrabiany element nie ulegnie przesunięciu podczas cięcia. W razie potrzeby użyj zacisków

## Wykonywanie cięcia

1. Mocno uchwyć piłę i oprzyj przednią krawędź podstawy (7) na krawędzi obrabianego przedmiotu
2. Sprawdź, czy ostrze nie styka się z obrabianym przedmiotem lub jakimkolwiek innym przedmiotem
3. Uruchom narzędzie, naciskając przycisk blokady w pozycji Off (18) i ścisnąc spust (17)

**NOTE:** This saw is equipped with a lock off button (12). The lock off button will have to be depressed before the trigger switch.

4. Pozwól silnikowi osiągnąć pełną prędkość, a następnie płynnie pchnij pilarkę naprzód poprzez obrabiany przedmiot
5. Utrzymując płynny ruch i upewnij się, że podstawa przylega do obrabianego przedmiotu

**UWAGA:** Przednia krawędź podstawy posiada wcięcie. W przypadku normalnego cięcia w zakresie 0 ° wyrównaj wcięcie z linią 0 °, z linią, która ma zostać przecięta, w przypadku cięcia pod kątem 45 ° wyrównaj wcięcie 45 ° z linią, która ma zostać przecięta.

6. Pozwól ostrzu przejść przez materiał, a następnie zwolnij spust. Alternatywnie, jeśli nacięcie nie dociera do krawędzi obrabianego przedmiotu, zwolnij spust narzędzia i pozwól ostrzu zatrzymać się przed wyjęciem narzędzia z cięcia
7. Pozwól ostrzu zatrzymać się przed odstawieniem narzędzia

## Używanie przewodnicy równoległej

1. Podczas pracy wzdłuż krawędzi zaleca się używanie przewodnicy równoległej (8)
2. Zamocuj przewodnicę przy podstawie (7) i zabezpiecz dokręcając śruby blokujące przewodnicę (14). Należy upewnić się że przewodnica jest odpowiednio przymocowana
3. Położenie przewodnicy można dostosować w zależności od wykonywanego zadania
4. Podążaj wzdłuż krawędzi, trzymając pionową stopkę przewodnicy docisniętą do pionowej krawędzi elementu

## Akcesoria

- Szeroki zakres akcesoriów, w tym tarcze tnące dostępne jest u dystrybutora Silverline
- Części zamienne możliwe do zakupienia na stronie online [www.toolsparsonline.com](http://www.toolsparsonline.com)

## Konserwacja

**OSTRZEŻENIE:** Przed przeprowadzeniem kontroli, czynności konserwacyjnych lub czyszczenia zawsze odłączaj urządzenie od źródła zasilania.

## Czyszczenie

**OSTRZEŻENIE:** ZAWSZE podczas czyszczenia urządzenia stosuj środki ochrony osobistej, takie jak okulary i rękawice ochronne.

- Należy zawsze dbać o czystość urządzenia. Brud i kurz powodują szybsze zużycie elementów wewnętrznych i skracają okres eksploatacji urządzenia.
- Należy czyścić korpus urządzenia miękką szmatką lub suchą ścierką.
- Do czyszczenia elementów plastikowych nie należy używać środków żrących. Jeśli czyszczenie na sucho nie przynosi wystarczających efektów, zalecane jest użycie wilgotnej szmatki i łagodnego detergentu.
- Nie wolno dopuszczać do kontaktu urządzenia z wodą.
- Upewnij się, że urządzenie jest całkowicie suche przed ponownym włączeniem.
- Jeśli to możliwe, przedmuchaj otwory wentylacyjne czystym powietrzem sprężonym (w stosownych przypadkach).

## Szczotki

- Szczotki węglowe wewnątrz silnika mogą ulec zużyciu z biegiem czasu
- Nadmierne zużycie szczotek może powodować utratę mocy, sporadyczne awarie lub widoczne iskrzenie
- W celu wymiany szczotek usuń zatyczki otworów dostępu do szczotek (17) po obu stronach urządzenia Wymień zużyte szczotki na nowe. Ponownie włóż zatyczki otworów dostępu do szczotek. W innym przypadku przekaż urządzenie do autoryzowanego punktu serwisowego Silverline

## Przechowywanie

- Należy przechowywać narzędzie w bezpiecznym, suchym miejscu niedostępnym dla dzieci

## Kontakt

W celu uzyskania porady technicznej lub dotyczącej naprawy, należy skontaktować się z infolinią pod numerem (+44) 1935 382 222

**Strona:** [silverlinetools.com/en-GB/Support](https://silverlinetools.com/en-GB/Support)

**Adres:**

Toolstream Ltd.  
Boundary Way  
Lufton Trading Estate  
Yeovil, Somerset  
BA22 8HZ, United Kingdom

## Utylizacja

Należy zawsze przestrzegać przepisów krajowych dotyczących utylizacji elektronarzędzi, które nie są już funkcjonalne i nie nadają się do naprawy.

- Nie wyrzucaj elektronarzędzi lub innych odpadów elektrycznych i elektronicznych (WEEE) wraz z odpadami komunalnymi.
- Skontaktuj się z władzami lokalnymi zajmującymi się utylizacją odpadów, aby uzyskać informacje na temat prawidłowego sposobu utylizacji elektronarzędzi

## Gwarancja narzędzi Silverline

### Niniejszy produkt Silverline posiada 3 letnią gwarancję

Aby zakwalifikować się do uzyskania powyższej gwarancji należy zarejestrować niniejszy produkt na stronie [www.silverlinetools.com](http://www.silverlinetools.com) w ciągu 30 dni od daty zakupu. Okres gwarancji rozpoczyna się w dniu zakupu produktu widocznym na paragonie.

### Rejestracja produktu

Rejestracji produktu można dokonać na stronie [www.silverlinetools.com](http://www.silverlinetools.com), wybierając przycisk „Rejestracja”. Należy wprowadzić:

- Dane osobowe
- Szczegóły dotyczące produktu oraz informacje dotyczące zakupu

Po wprowadzeniu tych informacji zostanie utworzony certyfikat gwarancji niniejszego produktu, jako dokument w formacie PDF, który należy wydrukować i zachować wraz z dowodem zakupu.

## Zasady i warunki

Okres gwarancji zaczyna obowiązywać od daty zakupu detalicznego znajdującej się na paragonie.

### PROSIMY O ZACHOWANIE PARAGONU

Jeśli produkt wykaze jakiegokolwiek usterki w ciągu 30 dni od daty zakupu, należy go zwrócić do dystrybutora/sklepu, w którym towar zakupiono, od którego został zakupiony okazując przy tym dowód zakupu.

Jeśli usterka pojawi się po 30 dniach, należy zwrócić produkt do:

**Silverline Tools Service Centre**

**PO Box 2988**

**Yeovil**

**BA21 1WU, UK**

Roszczenia gwarancyjne należy zgłaszać w okresie gwarancji. Należy dostarczyć dowód zakupu, swoje imię i nazwisko, adres miejsca zakupu przed wykonaniem jakichkolwiek napraw.

Należy podać dokładne dane usterki wymagające naprawy.

Wnioski złożone w okresie gwarancji będą weryfikowane przez Silverline Tools, do ustalenia czy usterki są związane z materiałem lub wyrobem produktu.

Koszty transportu nie zostaną pokryte. Produkt przeznaczony do zwrotu musi być starannie oczyszczony. Należy zapakować produkt prawidłowo i bezpiecznie tak, aby nie został uszkodzony podczas transportu do nas. Możemy odrzucić roszczenia niewłaściwie dostarczonych produktów.

Wszystkie naprawy będą przeprowadzone przez firmę Silverline Tools lub agencje upoważnione do tego.

Naprawa lub wymiana produktu nie przedłuży okresu gwarancyjnego.

Usterki uznane przez nas, jako objęte gwarancją będą poddane naprawie bezpłatnie (bez kosztów transportowych) lub poprzez wymianę na narzędzie pracujące w idealnym stanie.

Narzędzia lub części zamienne, do których wydano zamiennik staną się własnością Silverline Tools.

Naprawa lub wymiana produktu w ramach gwarancji zapewnia korzyści, które są dodatkami i nie wpływają w żaden sposób na ustawowe prawa konsumenta.

### Gwarancja pokrywa:

Naprawę produktu (w okresie gwarancji), jeśli zostanie on zakwalifikowany zgodnie z wymogami Silverline Tools w związku z usterkami, które wynikły z wad materiałowych lub wad związanych z produkcją.

Jeżeli jakaś część zastępcza nie jest już dostępna lub wycofana z produkcji, Silverline Tools zastąpi ją funkcjonalnym zamiennikiem.

Produkty używane w EU.

### Czego nie pokrywa gwarancja:

Silverline Tools nie pokrywa napraw powstałych w wyniku:

- normalnego zużycia spowodowanego przez normalne użytkowanie zgodne z instrukcją obsługi, np. noże, szczotki, pasy, zarywki akumulatory itp.
- wymiany dowolnego dołączonego wyposażenia np.: noży, wiertel, papieru ściernego, tarcz do cięcia i innych podobnych elementów.
- przypadkowego uszkodzenia spowodowanego niewłaściwym użytkowaniem lub zaniedbaniami, nieostrożnym działaniem lub niestarannym obchodzeniem się z produktem.
- stosowania produktu do innych celów.
- zmiany lub modyfikacji produktu w jakikolwiek sposób.
- usterek wynikających z wykorzystania części zamiennych i akcesoriów, które nie są oryginalnymi elementami Silverline Tools.
- niewłaściwej instalacji (z wyjątkiem instalacji przeprowadzonej Silverline Tools).
- naprawy lub modyfikacji przeprowadzonej przez osoby inne niż Centrum Usług Silverline Tools lub autoryzowanych punktów serwisowych.
- roszczeń innych niż związanych z usterkami ujętymi w gwarancji produktu.



**GB 3 Year Guarantee.** Register online within 30 days. Terms and Conditions apply.

**FR Garantie de 3 ans.** Enregistrez votre produit en ligne dans un délai de 30 jours suivant la date d'achat. Des conditions générales s'appliquent.

**DE 3 Jahre Garantie.** Innerhalb von 30 Tagen online registrieren. Es gelten die Allgemeinen Geschäftsbedingungen

**ES 3 años de garantía.** Registre su producto online durante los primeros 30 días. Se aplican términos y condiciones.

**IT 3 anni di garanzia.** Registra il tuo prodotto on-line entro 30 giorni dall'acquisto. Vengono applicati i termini e le condizioni generali.

**NL 3 jaar garantie.** Registreer uw product binnen 30 dagen online. Algemene voorwaarden zijn van toepassing

**PL 3 Letnia Gwarancja.** Zarejestruj się online w ciągu 30 dni. Obowiązują Zasady i Warunki

[silverlinetools.com](http://silverlinetools.com)