



Heavy Duty Hand Cable Puller

3500kg / 3m Cable

FR Palan-tendeur de traction usage intensif

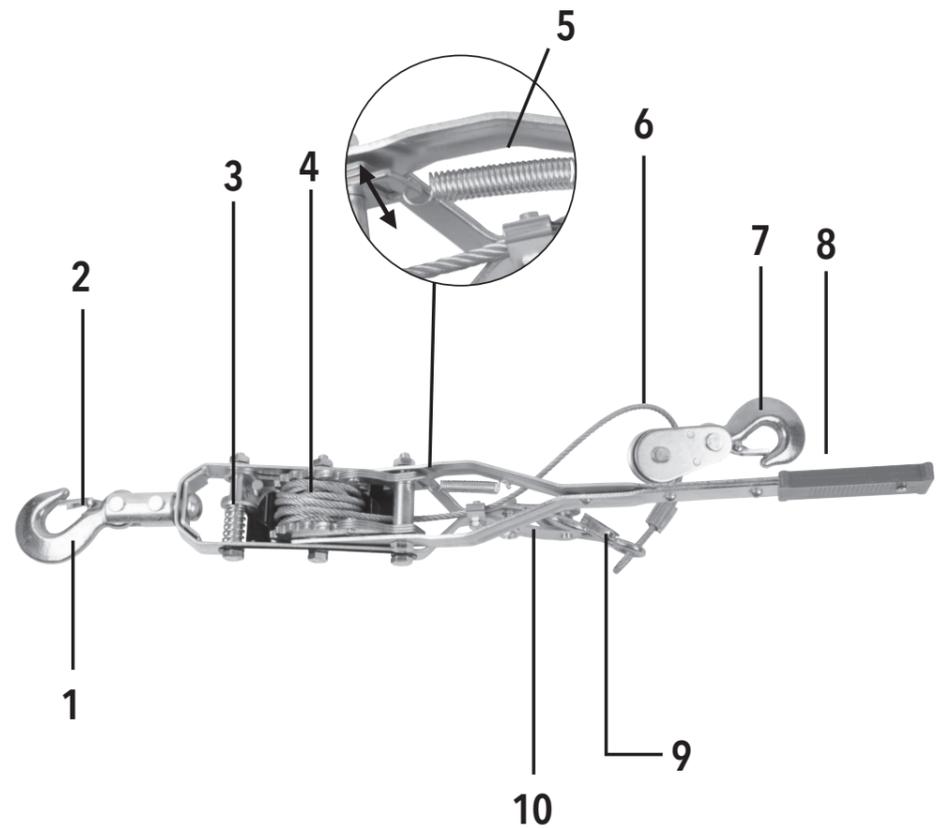
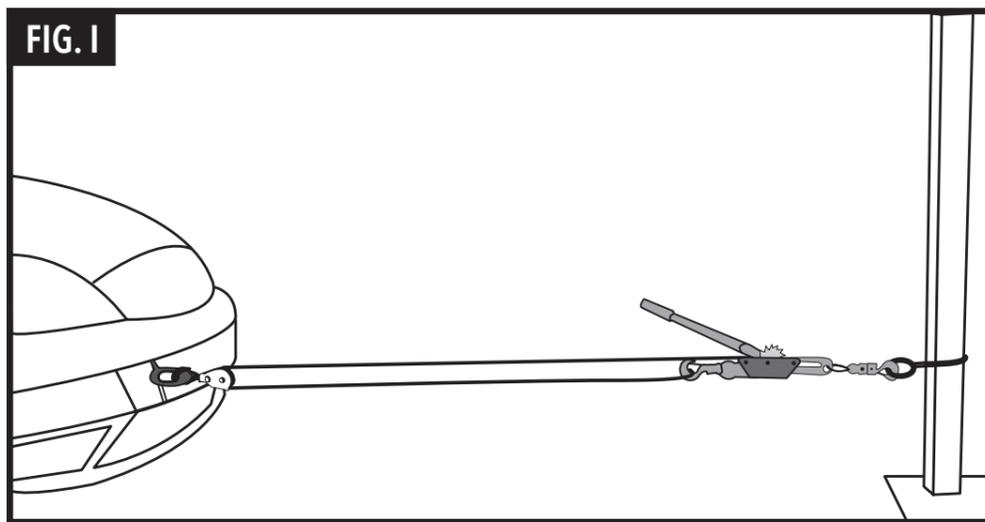
DE Schwerlast-Greifzug

ES Polipasto de tracción de gran capacidad

IT Estrattore cavo a sollecitazione severa

NL 'Heavy-Duty' hand treklier

PL Wytrzymała ręczna wciągarka kablowa



GB

Specifications

Cable:	Ø6,0mm x 3m (Primary) 2000mm (Secondary) 3500mm
*Max. usable distance:	15:1
Leverage ratio:	15:1
Pulling	
*Max. pulling weight on horizontal surface:	35kN
Rated horizontal pulling force:	1100 daN

Product Familiarisation

- 1) Direction Switch
- 2) LED Light
- 3) Bit Holder
- 4) Battery Level Indicator
- 5) Ratchet Drive Spring
- 6) Cable
- 7) Cable Hook
- 8) Handle
- 9) Secondary Cable Hook
- 10) Hook Mounting Bracket

Pulling Tool Safety

Ensure your cable puller is maintained in a safe working condition. Observe the following important guidance:

- Operate using manual force only. Do not attempt to use external objects to increase leverage at the handle.
- Before each use, check the condition of the equipment. Pay particular attention to cables and locking mechanisms
- Cables should be free from kinks and should not show any evidence of fraying or cutting
- Locking mechanisms should work freely and should be clean of excessive dirt or grease
- Ensure the safety latches on the hooks are closed and the load is secure before pulling commences
- Test all safety devices (including automatic) before use
- DO NOT operate the puller with less than 3 wraps of cable on the spindle.
- DO NOT attempt to pull items around or over a corner
- DO NOT wrap cable around any object DIRECTLY and hook it back on itself
- DO NOT OVERLOAD: Ensure the weight of all loads is within the capacity of this equipment (see specification)
- DO NOT LIFT with this puller. This equipment is not designed to hoist. The puller is only designed to be used on a horizontal surface.
- When pulling, allow for rolling resistance which will significantly increase the weight of an object - particularly in cases when pulling through mud, snow or water
- Use an adequate sling, eyebolt or other attachment on the load to be pulled and ensure that there is a positive engagement of the puller hook to the load
- Do not use a pipe, lever or other device to lengthen the handle for additional leverage; the pulley may fail, causing damage and/or personal injury
- Under no circumstances use pulling equipment to pull people or objects with people attached
- Do not modify any pulling equipment. Any attempt to tamper with this equipment will invalidate its guarantee, and could result in serious injury to yourself or others around you
- Pulling equipment should be inspected by a qualified person at least once each year and the results of the inspection recorded in an inspection book for future reference
- If you are in any way unsure about the safe method of using this equipment, do not use it
- Assembly, maintenance, or independent operation of appliances may be assigned by persons who are suitable for and familiar with these procedures.
- The operation guide is available and accessible to persons who are in charge of assembly, maintenance or independent operation of appliance.
- Moving loads:
 - The operator may start moving a load only after determining it is clear that the load is safely secured, and that no persons remain in the danger area, or after confirmation has been received from the chainer.
 - The operator must keep an eye on all load movements.
 - If the operator is unable to keep an eye on all load movements, suitable measures must be taken not to put bystanders in the vicinity of the load at risk.

Intended Use

Hand-powered cable puller to aid in pulling procedures. Suitable for non-commercial, light-to-medium duty use only.

WARNING: NOT FOR LIFTING! NOT FOR LASHING! FOR PULLING ONLY!

Note: This product is not suitable for industrial use.

Unpacking Your Tool

- Carefully unpack and inspect your new tool. Familiarise yourself with all its features and functions
- Ensure that all parts of the tool are present and in good condition. If any parts are missing or damaged, have such parts replaced before attempting to use this tool.

Operation

WARNING: ALWAYS wear eye protection, as well as suitable cut-proof gloves, when working with this tool.

Attaching the cable puller

1. Attach the Secondary Cable Hook (9) onto the item to be pulled. Ensure the total load will not exceed 1750kg
2. Check the item is securely attached and the Safety Bar (2) is closed
3. Slide the Ratchet Drive Spring (5) across to the disengaged position so that the Handle (8) does not engage the Ratchet Teeth (4)
4. Press the Ratchet Lock Lever (3) and unwind sufficient Cable (6) from the spool to attach the Fixed Hook (1) to the anchor position. Release the Ratchet Lock Lever. Ensure hooks are securely attached and Safety Bar is closed (Fig. 1)

Pulling capacity:

Note: To achieve the maximum pulling capacity of this cable puller (3500kg). The cable length will be shortened to approx. half the original length.

- Attach the Secondary Cable Hook (9) to the Hook Mounting Bracket (10)
- Use the Secondary Cable Hook to attach to the pulling device
- Follow instructions provided under 'Attaching the Cable Puller'
- Use the Cable Hook (7) to attach the cable puller to the load

Pulling

- Slide the Ratchet Drive Spring (5) across to the engaged position so that the Handle (8) engages the Ratchet Teeth (4)
- Crank the Handle (8) backwards and forwards to tension the cable and pull the load

Releasing the tension

1. Slide the Ratchet Drive Spring (5) across to the disengaged position so that the Handle (8) does not engage the Ratchet Teeth (4)
2. Carefully move the Handle (8) until the drive pawl pushes and disengages the stop pawl and clears the Ratchet Teeth. Then move the Handle in the opposite direction, to release the load by one notch
3. Repeat this handle motion as often as required, to release the tension one notch at a time, until enough slack has been provided to remove the hooks
4. Ensure the load is stable and secure before removing Fixed Hook (1) and Cable Hook (7)

WARNING: When releasing tension, avoid abrupt handle movements. Apply pressure to the Handle evenly and with a smooth action. Abrupt movements can cause the load to shift, making it unstable

Accessories

- A range of accessories and consumables, including Safety Hard Hat (306429), and Expert Rigger Gloves (633501), is available from your Silverline stockist. Spare parts can be obtained from toolsparsonline.com

Maintenance

General inspection

- Regularly check that all the fixing screws are tight
- Keep the Cable Puller clean and in good order. Store with the cable fully wound on the spool
- Carry out a visual inspection every time the Cable Puller is used and listen for any unusual sounds during operation
- Store in a safe, secure and dry place out of the reach of children
- Never disassemble the Cable Puller
- Inspect the mechanism before every use

Certificate of Conformity

Identification code: 360375

Description: Heavy Duty Hand Cable Puller

Diameter of the lashing steel wire rope: Ø6.0mm x 3m (L)

Date: 22/08/15

Name and address of the manufacturer:

Powerbox International Limited, Company No.06897059. Registered address: Boundary Way, Lufton Trading Estate, Yeovil, Somerset BA22 8HZ, United Kingdom

